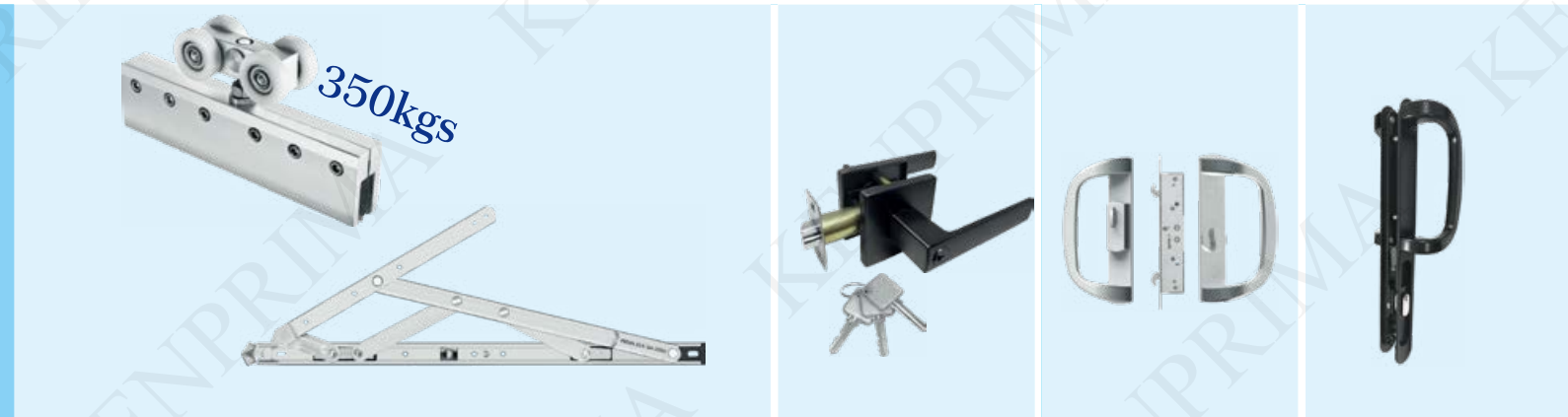


We reserves the right to change the product design and specifications without notice. All information is carefully checked for accuracy. We shall not be accountable for damages caused by any possible faults or errors in the printing and publishing process. Your choice of product picture shall be made against the material object as the product picture may have slight difference with the material object due printing process.



NEW INNOVATION ALUMINIUM HARDWARE ACCESSORIES

KEN PRIMA

GLASS & ALUM.ACC SDN BHD

KEN PRIMA GLASS & ALUM.ACC.SDN.BHD.

ADD:No.1,Jalan Utama 2/30,Taman Perindustrian Puchong Utama,
47100 Puchong,Selangor D.E.,Malaysia.

TEL:603-8061 2323 FAX:603-8061 3232

E-MAIL:kenprimaglass@gmail.com

www.kenprimaglass.com



@kenprimaglass

COMPANY PROFILE

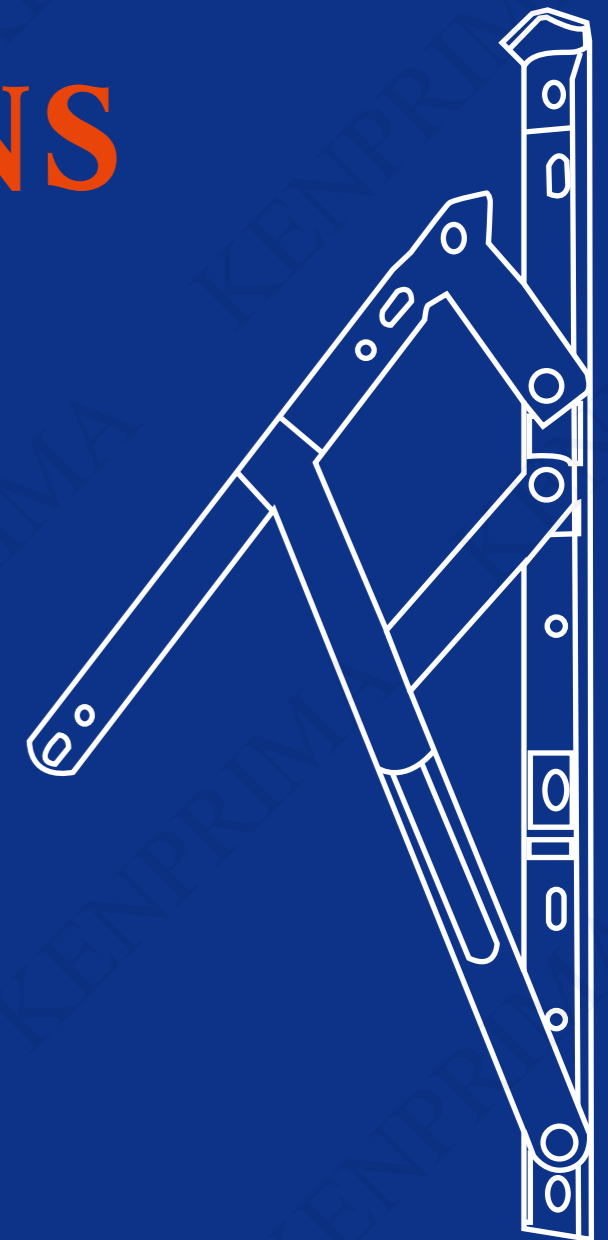
Established in 2002, we are **Ken Prima Glass & Alum.Acc. Sdn Bhd**, an innovative company engaged in the line of aluminium and glass fittings for doors and windows.

Through the years, we have diversified into many specializations and developed various products such as glass fittings like the spider series, shower hinges, patch fittings and floor hinges, stainless steel handles and many more.

Our philosophy is "strive to express with further demand and spice up your environment" which is reflected by the types of applications of our products: suitable for hardware, construction and / or industrial purposes. This makes Ken Prima Glass & Alum.Acc. Sdn Bhd the one stop centre for all products you will ever need.

Today, we are continuing and expanding a heritage of achievements built on our sincerity to our customers: the assurance and satisfaction of acquiring quality products with fast deliveries at a competitive price.

NEW
INNOVATIONS
FOR
BETTER
SOLUTIONS



KEN PRIMA GLASS



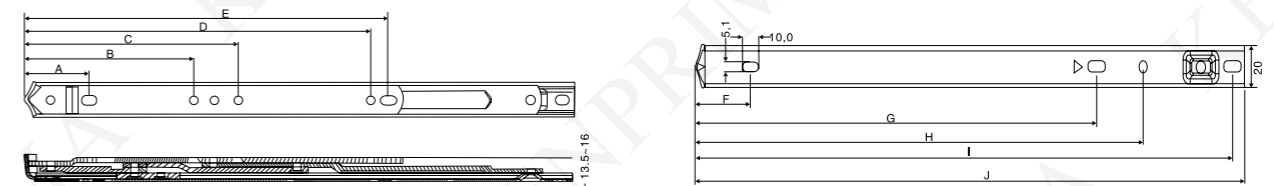
C ONTENTS

■ - Window Friction Stays Series	001-012
■ - Window Casement Handle & Crescent Fastener Series	013-018
■ - Sliding Door Lock Series	019-026
■ - Performance Sliding Door Handle Series	027-030
■ - Mortise Level Lock & Swing Door Lock Series	031-044
■ - Multipoint Window Series (Handle , Bar , Bracket , Catches , Latch , Flat Bar)	045-060
■ - Conceal Heavy-Duty Folding Door	061-066
■ - Folding Door Series	067-072
■ - Performance Sliding Window	073-074
■ - Sliding Door Acceseries	075-080
■ - Performance Sliding Door Roller Series	081-084
■ - Sliding Door / Window Roller	085-088
■ - Sliding Door Series (Wooden Door , Aluminium Door Hanging Roller)	089-094
■ - Prima Door Closer	095-097
■ - Weatherseal	098
■ - Lourves	099-100
■ - Netting(Stainless Steel , Aluminium , Black Stainless Steel , Fibre)	101-102
■ - Protection Tape Series (Protection Blue Tape , Frosted Film , Black Protection Tape)	103-104
■ - Others Accessories (Aluminium Handle , Hinges , Flush Bolt)	105-110
■ - Silicone	111-112
■ - Dorma Accessories(Door Closer , Sliding Door)	113-118
■ - Breezway Lourves Series(Palmair / Altair Louvers)	119-124
■ - PVC Bracket	125-127
■ - Machine Series (Hand pull Machine , Mitre-Saw , Hydraulic Machine)	128-134
■ - Milwaukee Tools	135-137
■ - Others Tools(Laser , Cutter , Screw , Drill Bit)	138-140
■ - Rivet	141
■ - Digital Lock	142



PRIMA™ SUS 304

19 Round Groove : Stainless Steel Friction Stays
Material : Stainless Steel SUS 304



FRICTION STAYS SERIES

PRIMA 20mm Round Groove window friction stays range from four-bar, five-bar & six-bar stainless steel friction stays which are used for the support and frictional control of projecting side hung & awning windows.

- Material : Stainless Steel SUS 304
- composite stainless steel and nylon slider for strength, durability, and smooth operation
- Manufactured with the selected best quality of stainless steel
- Designed for standard style of side hung windows
- Easily adjust the opening angle joints
- Works well after overloading tests of 50000 times

MODEL NO	BAR	THICKNESS (mm)	WIDTH (mm)	HEIGHT (mm)	OPEN DEGREE	WEIGHT (kg)	PACKING	(RM)/PAIR
408PR	4 BAR	2.0	450	1200	65°	11	100pairs/ctn	16.50
412PR	4 BAR	2.0	500	1500	90°	18	100pairs/ctn	22.00
416PR	4 BAR	2.5	600	1500	90°	22	50pairs/ctn	33.00
520PR	5 BAR	2.5	700	1400	45°	26	25pairs/ctn	36.50

PRIMA™ SUS 304(18SQ)

18 Square Groove : Stainless Steel Friction Stays

Material : Stainless Steel SUS 304



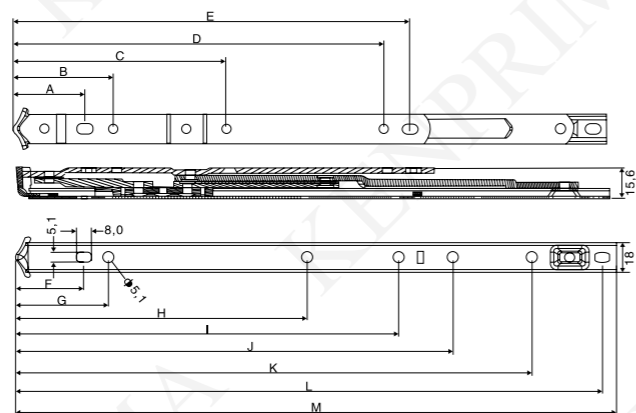
Unique
6mm
Pivot



Safety
Edge Circumference
on Supporting Arms



Quality
Stainless Steel
Slide Pallet with PVC Coating



PRIMA 18mm Square Groove window friction stay are ranges from four-bar, five-bar & six-bar stainless steel friction stays which are used for the support and frictional control of projecting side hung & awning windows.

- Material : Stainless Steel SUS 304
- Its composite stainless steel and nylon slider for strength, durability, and smooth operation
- Manufactured with the selected best quality of stainless steel

- Designed for standard style of side hung windows
- Easily adjust the opening angle joints
- Works well after overloading tests of 50000 times

MODEL NO	BAR	THICKNESS (mm)	WIDTH (mm)	HEIGHT (mm)	OPEN DEGREE	WEIGHT (kg)	PACKING	(RM)/PAIR
408PR-18SQ	4 BAR	2.0	500	1200	70°	11	100pairs/ctn	18.00
412PR-18SQ	4 BAR	2.0	600	1500	90°	18	100pairs/ctn	23.00
516PR-18SQ-SH	5 BAR	2.5	700	1500	90°	22	50pairs/ctn	39.00
518PR-18SQ-TH	5 BAR	2.5	800	1500	90°	26	25pairs/ctn	39.0
520PR-18SQ-SH	5 BAR	2.5	900	1500	65°	28	25pairs/ctn	65.00
624PR-18SQ-SH	6 BAR	2.5	900	1600	55°	32	25pairs/ctn	79.00

PRIMA™ SUS 304(22SQ)

22 Square Groove : Stainless Steel Friction Stays

Material : Stainless Steel SUS 304



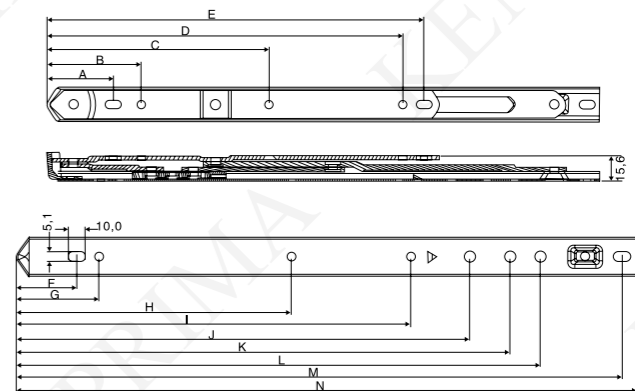
Unique
6mm
Pivot



Safety
Edge Circumference
on Supporting Arms



Quality
Stainless Steel
Slide Pallet with PVC Coating



PRIMA 22mm Heavy Groove window friction stay are ranges from four-bar, five-bar & six-bar stainless steel friction stays which are used for the support and frictional control of projecting side hung & awning windows.

- Material : Stainless Steel SUS 304
- Its composite stainless steel and nylon slider for strength, durability, and smooth operation
- Manufactured with the selected best quality of stainless steel

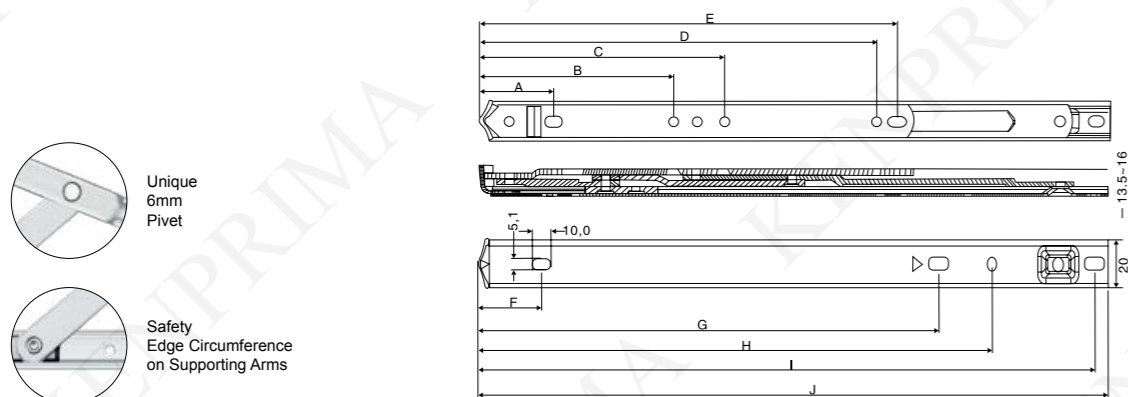
- Designed for standard style of side hung windows
- Easily adjust the opening angle joints
- Works well after overloading tests of 50000 times

MODEL NO	BAR	THICKNESS (mm)	WIDTH (mm)	HEIGHT (mm)	OPEN DEGREE	WEIGHT (mm)	PACKING	(RM)/PAIR
408PR-22SQ	4 BAR	2.5	450	1200	65°	16	100pairs/ctn	29.00
412PR-22SQ	4 BAR	3.0	500	1500	90°	24	100pairs/ctn	40.00
416PR-22SQ-SH	4 BAR	3.0	600	1500	90°	31	25pairs/ctn	47.00
518PR-22SQ-SH	5 BAR	3.0	800	1750	65°	34	25pairs/ctn	67.50
420PR-22SQ-TH	4 BAR	3.0	900	1800	65°	36	25pairs/ctn	60.00



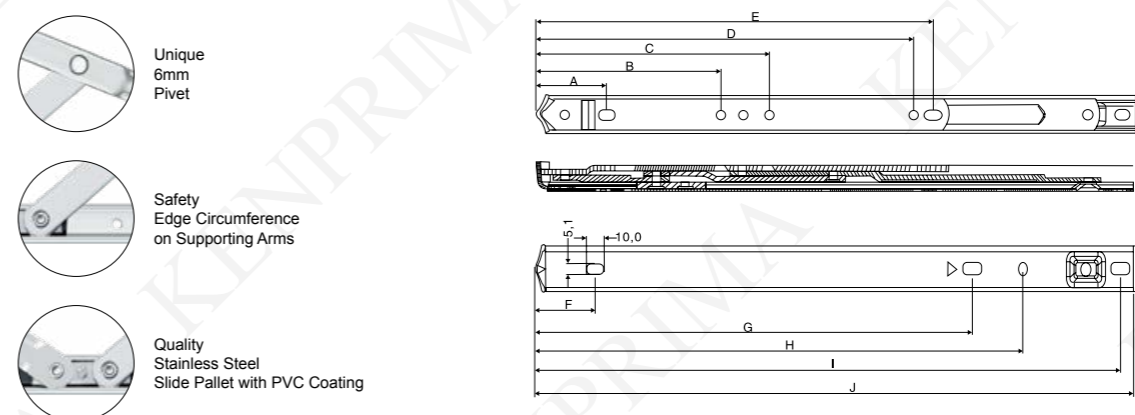
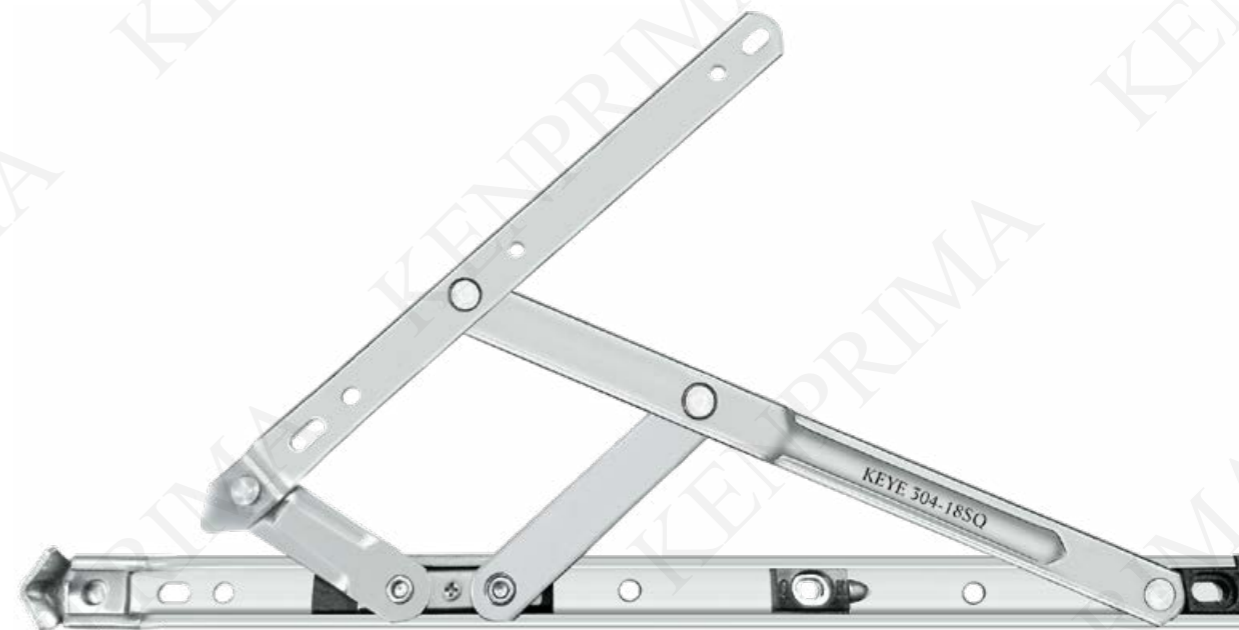
KEYE 304

19 Round Groove : Stainless Steel Friction Stays
 Material : Stainless Steel (GRADE 202)



KEYE 304(18SQ)

18 Square Groove : Stainless Steel Friction Stays
 Material : Stainless Steel (GRADE 202)



KEYE 19mm Round Groove window friction stay are ranges from four-bar & five-bar stainless steel friction stays which are used for the support and frictional control of projecting side hung & awning windows.

- Material : Stainless Steel 202
- Its composite stainless steel and nylon slider for strength, durability, and smooth operation
- Manufactured with the selected best quality of stainless steel
- Designed for standard style of side hung windows
- Easily adjust the opening angle joints
- Works well after overloading tests of 50000 times

MODEL NO	BAR	THICKNESS (mm)	WIDTH (mm)	HEIGHT (mm)	OPEN DEGREE	WEIGHT (mm)	PACKING	(RM)/PAIR
406KEYE	4 BAR	2.0	400	800	55°	8	100pairs/ctn	15.00
408KEYE	4 BAR	2.0	450	1200	60°	11	100pairs/ctn	11.75
412KEYE	4 BAR	2.0	500	1500	90°	18	100pairs/ctn	13.50
416KEYE	4 BAR	2.5	600	1500	90°	22	50pairs/ctn	22.00
516KEYE-SH	5 BAR	2.5	650	1500	70°	24	50pairs/ctn	25.50

KEYE 18mm Square Groove window friction stay are ranges from four-bar, five-bar & six-bar stainless steel stays which are used for the support and frictional control of projecting side hung & awning windows.

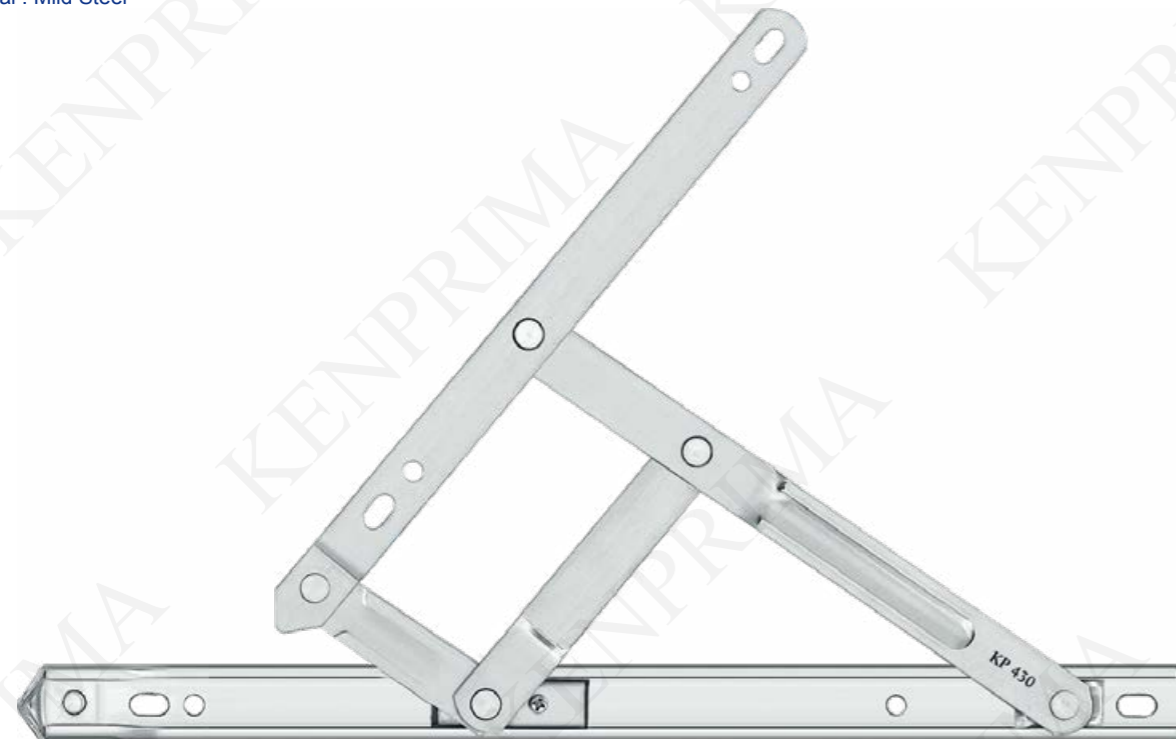
- Material : Stainless Steel 202
- Its composite stainless steel and nylon slider for strength, durability, and smooth operation
- Manufactured with the selected best quality of stainless steel
- Designed for standard style of side hung windows
- Easily adjust the opening angle joints
- Works well after overloading tests of 50000 times

MODEL NO	BAR	THICKNESS (mm)	WIDTH (mm)	HEIGHT (mm)	OPEN DEGREE	WEIGHT (mm)	PACKING	(RM)/PAIR
408KESQ	4 BAR	2.0	500	1200	70°	11	100pairs/ctn	13.00
412KESQ	4 BAR	2.0	600	1500	90°	18	100pairs/ctn	14.75
416KESQ	4 BAR	2.5	650	1500	90°	22	50pairs/ctn	23.50
516KESQ-SH	5 BAR	2.5	700	1500	90°	24	50pairs/ctn	27.00
520KESQ	5 BAR	2.5	800	1500	45°	26	25pairs/ctn	39.00
624KESQ	6 BAR	2.5	800	1750	45°	32	25pairs/ctn	49.00

KP 430 Mild Steel Stay

19 Round Groove : Mild Steel Stay

Material : Mild Steel



KP 430 Mild Steel stay are four-bar friction stays used for the support and frictional control of projecting side hung & awning windows.

- Material : Mild Steel 430
- Designed for standard style of side hung windows.
- Easily adjust the opening angle by joints.

CODE	A	B	C	D	E	F	G	H	I	J	K
8"	41	141.5	156	31	*	*	155.5	200	207	*	*
10"	41	174	185.5	40	*	*	214.5	252	259	*	*
12"	41	185.5	197	34.5	45.5	*	227.5	290	297	*	*
14"	41	217.5	229	35	46	254	283.5	340	347	340	348
16"	41	235.5	247	39.5	50.5	281	310	396	403	396	404
18"	41	108	146	246.5	258	42	*	247	337.5	449	457
20"	41	55	166.5	280.5	292	42	*	273	409	495	504
22"	41	55	194	305.5	317	42	*	304	458	544.5	555
24"	41	55	231	365.5	378	42	*	320.1	513	600	609

MODEL NO	BAR	THICKNESS (mm)	WIDTH (mm)	HEIGHT (mm)	OPEN DEGREE	WEIGHT (mm)	PACKING	(RM)/PAIR
MSH08H-8"	4 BAR	2.0	450	1200	65°	11	125pairs/ctn	8.25
MSH08H-12"	4 BAR	2.0	500	1500	90°	18	100pairs/ctn	11.00
MSH16H-16"	4 BAR	2.0	600	1500	90°	22	50pairs/ctn	18.50

Top Hung Stay

18 Square Groove

Material : Stainless Steel SUS 304 / Grade 202



18mm Top Hung Square Groove window friction stay are range from 4 bar, 5 bar & 6 bar stainless steel(Grade 202) / Stainless Steel(SUS 304) friction stays which are used for the support and frictional control of projecting top hung window.

- Material : Stainless Steel 202 / Stainless Steel SUS 304
- Its composite stainless steel and nylon slider for strength, durability, and smooth operation.
- Manufactured with the selected style of top hung windows.
- Designed for standard style of top hung windows.
- Easily adjust the opening angle by joints.
- Works well after over loading tests of 50000 times

MODEL NO	BAR	THICKNESS (mm)	WIDTH (mm)	HEIGHT (mm)	OPEN DEGREE	WEIGHT (mm)	PACKING	(RM)/PAIR
412KEYESQ-T(12")	4 BAR	2.0	1200	600	35°	22	100pairs/ctn	15.00
516KEYESQ-T(16")	5 BAR	2.5	1500	750	30°	35	50pairs/ctn	27.50
520KEYESQ-T(20")	5 BAR	3.0	1500	900	30°	42	25pairs/ctn	39.50
624KEYESQ-T(24")	6 BAR	3.0	1500	1200	30°	50	25pairs/ctn	42.00
412PR-18SQ-TH(12")	4 BAR	2.0	1200	600	35°	22	100pairs/ctn	23.50
412PR-18SQ-TH-RL(12")	4 BAR	2.0	1500	600	35°	24	100pairs/ctn	24.00
516PR-18SQ-TH(16")	5 BAR	2.5	1500	750	30°	35	50pairs/ctn	39.00
520PR-18SQ-TH(20")	5 BAR	3.0	1500	900	30°	42	25pairs/ctn	69.00
520PR-18SQ-TH-RL(20")	5 BAR	3.0	1800	900	30°	46	25pairs/ctn	70.00
624PR-18SQ-TH(24")	6 BAR	3.0	1500	1200	30°	50	25pairs/ctn	83.00
624PR-18SQ-TH-RL(24")	6 BAR	3.0	1500	1300	30°	52	25pairs/ctn	84.00

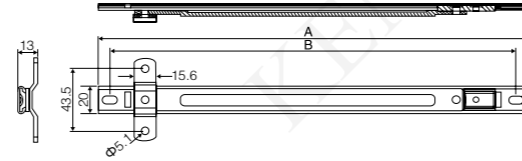


208P/210P/212P Two Bar Hinge(Round)

Material : Stainless Steel Sus 304
Finish : Mill Finish



MODEL	SIZE	A	B
208P	8"	208	187
210P	10"	257	236
212P	12"	304	283

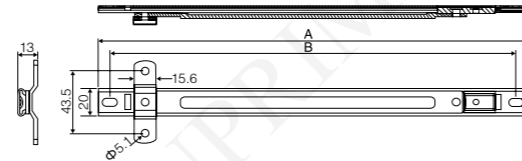


212PR22SQ Two Bar Hinge (Square)

Material : Stainless Steel Sus 304
Finish : Mill Finish

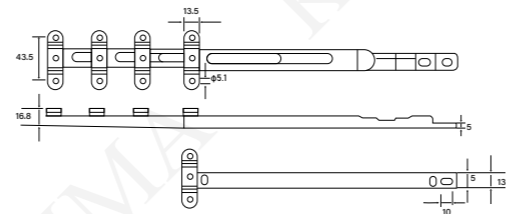


MODEL	SIZE	A	B
212PR22SQ	12"	303	270



210HOP Hold Open 2 Bar Hinge

Material : Stainless Steel Sus 304
Finish : Mill Finish



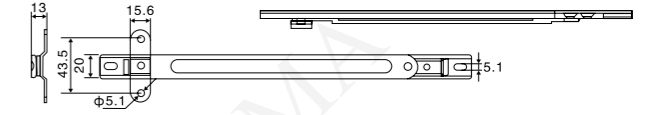
MODEL NO	MATERIAL	FINISHING	PACKING	(RM)/PAIR
208P	SUS 304	SS	200PCS/ctn	13.00
210P	SUS 304	SS	200PCS/ctn	15.00
212P	SUS 304	SS	200PCS/ctn	17.00
212PR22SQ	SUS 304	SS	100PCS/ctn	19.00
210HOP	SUS 304	SS	100PCS/ctn	22.00

CR Restrictor Arm

Material : Stainless Steel Sus 304
Finish : Mill Finish



MODEL	SIZE	BAR THICKNESS	BAR WIDTH	STACK HEIGHT
MPCR6	6"	2.0	13.5	13
MPCR10	10"	2.0	13.5	13
MPCR12	12"	2.0	13.5	13

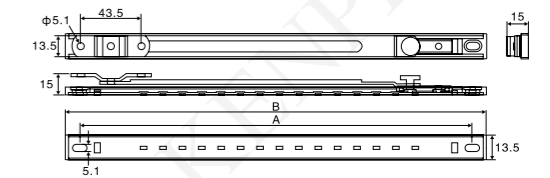


Restrictor Arm

Material : Stainless Steel Sus 304
Finish : Mill Finish



MODEL	SIZE	A	B
MP2B8	8"	187	208
MP2B10	10"	236	257
MP2B12	12"	283	304

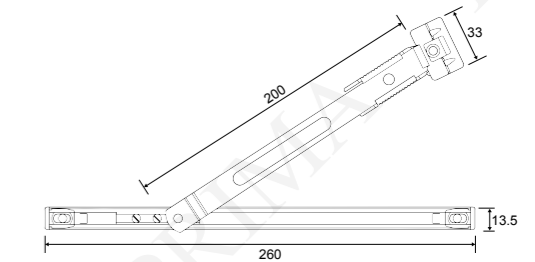


MPSQ10

Material : Stainless Steel Sus 304
Finish : Mill Finish



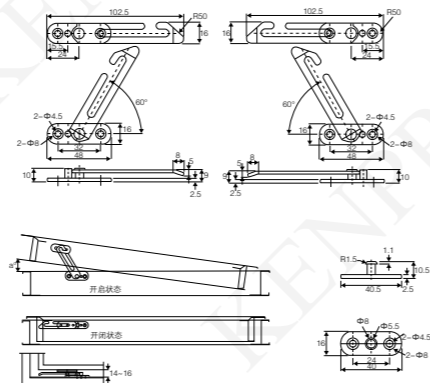
MODEL	SIZE	BAR THICKNESS	STACK HEIGHT	PACKING (CTN)
MP3B10	10"	2.5	20	50 Pairs/ctn



MODEL NO	SIZE	MATERIAL	FINISHING	PACKING	(RM)/PCS
MPCR6	6"	SUS 304	SS	100PCS/ctn	9.00
MPCR10	10"	SUS 304	SS	100PCS/ctn	10.50
MPCR12	12"	SUS 304	SS	100PCS/ctn	12.00
MP2B8	8"	SUS 304	SS	100PCS/ctn	8.00
MP2B10	10"	SUS 304	SS	100PCS/ctn	8.50
MP2B12	12"	SUS 304	SS	100PCS/ctn	9.50
MPSQ10	10"	SUS 304	SS	100PCS/ctn	13.00

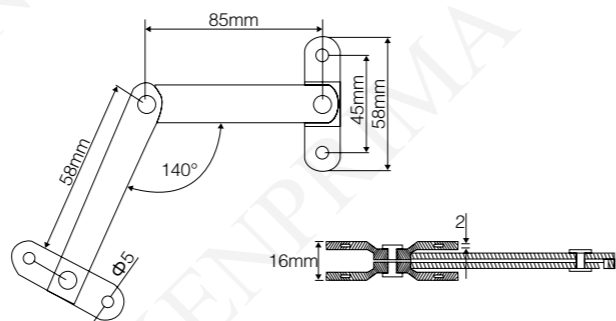
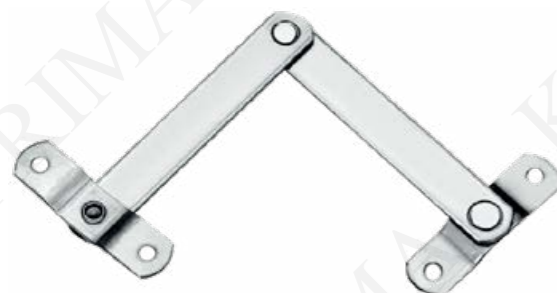
Prima Securi-Stay(R/L)

Material : Stainless Steel SUS 304
Finish : Mild Finish



4"Restrictor Arm R/L

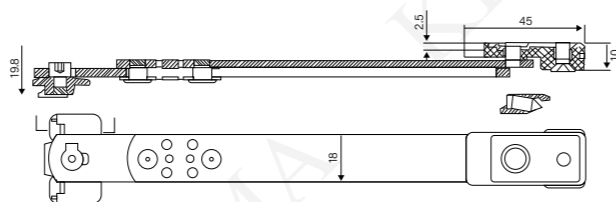
Material : Stainless Steel SUS 304
Finish : Mill Finish



MODEL	SIZE	PACKING
4REST	4"	100 Pairs/ctn

MP2B7

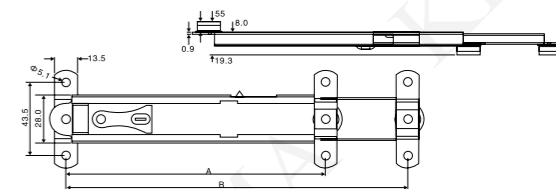
Material : Stainless Steel SUS 304
Finish : Mill Finish



MODEL NO	SIZE	MATERIAL	FINISHING	PACKING	(RM)/UNIT
SECURI-STAY		SUS 304	SS		--
4REST	4"	SUS 304	SS	50pairs/ctn	19.00
MP2B7	7"	SUS 304	SS	50pairs/ctn	60.00

Supporting Arm R/L

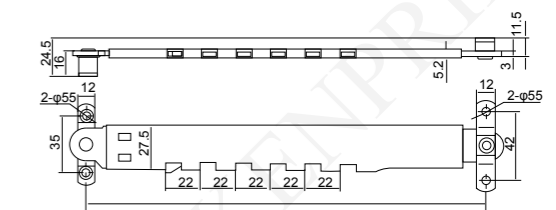
Material : Stainless Steel SUS 304
Finish : Mill Finish



MODEL	SIZE	A	B	PACKING
08SA-N	8"	204	302	50 Pairs/ctn
10SA-N	10"	254	402	50 Pairs/ctn
12SA-N	12"	304	502	50 Pairs/ctn

Adjustable Supporting Arm R/L

Material : Stainless Steel SUS 304
Finish : Mill Finish



MODEL	SIZE	A	B	PACKING
08SA-ADJ	8"	204	302	50 Pairs/ctn
10SA-ADJ	10"	254	402	50 Pairs/ctn
12SA-ADJ	12"	304	502	50 Pairs/ctn

Aluminium Hinge

Material : Aluminium
Finish : Black



MODEL	SIZE
AH13B	13"

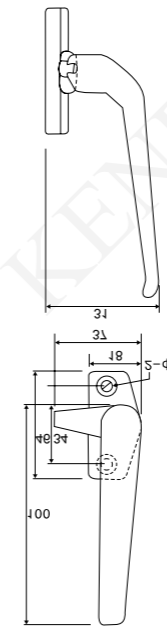
MODEL NO	SIZE	MATERIAL	FINISHING	PACKING	(RM)PAIRS
08SA-N	8"	SUS 304	SS	50pairs/ctn	32.00
10SA-N	10"	SUS 304	SS	50pairs/ctn	36.00
12SA-N	12"	SUS 304	SS	50pairs/ctn	40.00
08SA-ADJ	8"	SUS 304	SS	50pairs/ctn	50.00
10SA-ADJ	10"	SUS 304	SS	50pairs/ctn	55.00
12SA-ADJ	12"	SUS 304	SS	50pairs/ctn	60.00
AH13B	13"	Aluminium	Black	80pairs/ctn	27.00



CASEMENT HANDLE SERIES

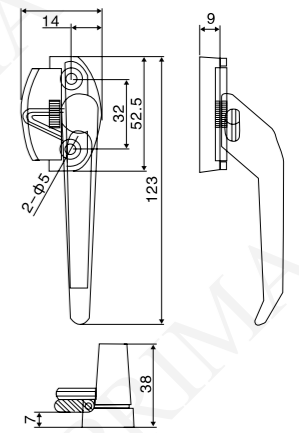
CH608

Small Casement Handle



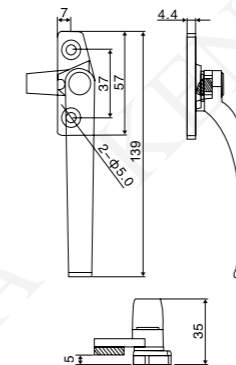
CH430

Casement Handle With Blade



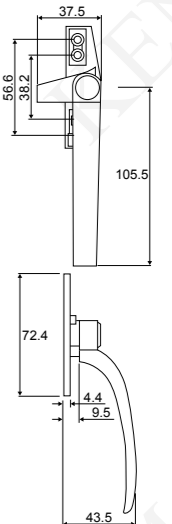
CH410

Casement Handle



CH410-4 HOLES

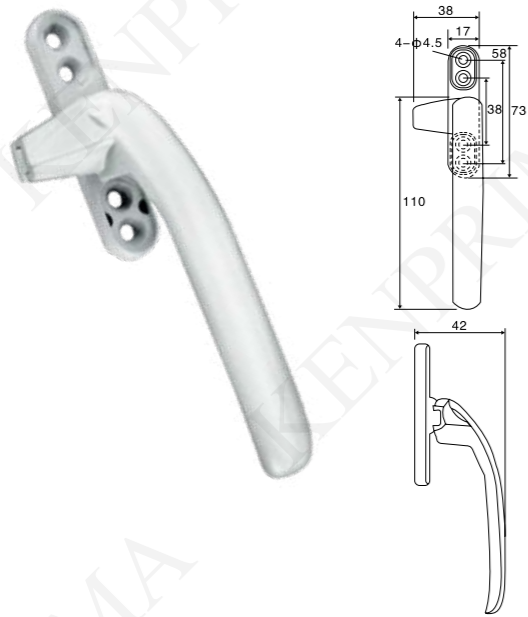
Casement Handle With 4 Holes



MODEL NO	MATERIAL	FINISHING	PACKING	(RM)/PCS
CH608	Aluminium	NA/MB/White/Black	600pcs/ctn	2.83
CH430	Aluminium	NA/White/Black	400pcs/ctn	5.50
CH410	Aluminium	NA/MB/White/Black	400pcs/ctn	4.75
CH410-4HOLE	Aluminium	White/Black	200pcs/ctn	7.00

CH440/M4

Casement Handle



CH440KEY

Casement Handle With Key



CH822

Casement Handle



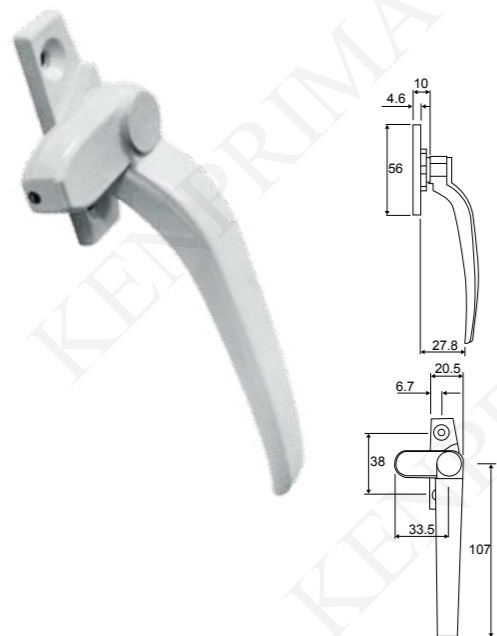
CH855

Casement Handle



CH510

Casement Handle With Roller



CH4322

Casement Handle With Blade



CH844

Casement Handle With Roller And Hook

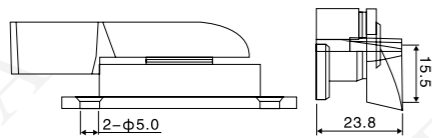
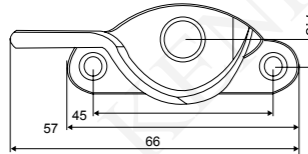


MODEL NO	MATERIAL	FINISHING	PACKING	(RM)/UNIT
CHM4	Aluminium	NA/White/Black	200pcs/ctn	RM 8.00
CH440	Zinc	NA/White/Black	200pcs/ctn	RM 10.00
CH440KEY	Zinc	NA/White/Black	200pcs/ctn	RM 20.35
CH4322	Aluminium	NA/White/Black	200pcs/ctn	RM 7.75
CH510	Aluminium	NA/White/Black	200pcs/ctn	RM 8.50

MODEL NO	MATERIAL	FINISHING	PACKING	(RM)/UNIT
CH822	Aluminium	NA/White/Black	100pcs/ctn	RM 7.75
CH844	Aluminium	White/Black	100pcs/ctn	RM 18.25
CH844-S	Aluminium	White/Black	100pcs/ctn	RM 16.00
CH855	Aluminium	White/Black	100pcs/ctn	RM 15.00

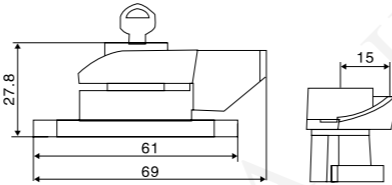
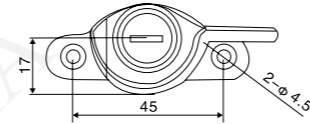
CF350

Crescent Fastener



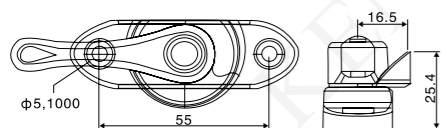
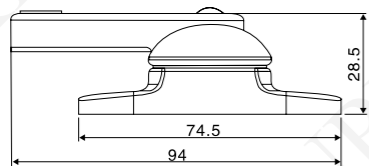
CF320-KEY

Crescent Fastener With Key



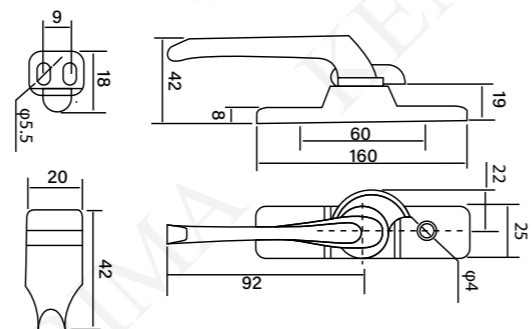
CF360

Crescent Fastener



CF370

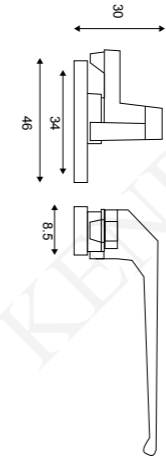
Crescent Fastener For Performance Sliding Window



MODEL NO	MATERIAL	FINISHING	PACKING	(RM)/UNIT
CF350	Aluminium	NA/MB/White/Black	600pcs/ctn	RM 3.38
CF320	Zinc	NA/White/Black	200pcs/ctn	RM 12.13
CF360	Aluminium	NA/White/Black	200pcs/ctn	RM 5.38
CF370	Zinc	White/Black	200pcs/ctn	RM 14.83

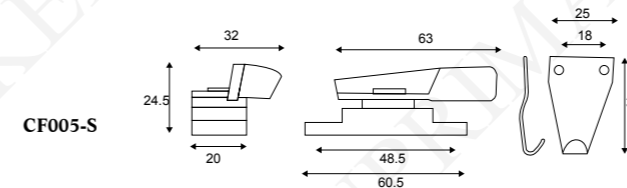
CH061

Finish : NA / MB / White / Black



CF005S / B

Finish : NA / MB / White / Black



CF005-B

CF005(KEY)

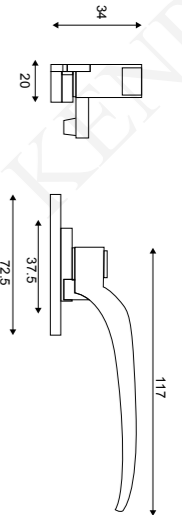
Finish : NA / MB / White / Black



MODEL NO	MATERIAL	FINISHING	PACKING	(RM)/UNIT
CH061	Aluminium	NA/White/Black	700pcs/ctn	RM 3.50
CH063-V2	Aluminium	NA/White/Black	500pcs/ctn	RM 7.14
CH063-V2	Aluminium	NA/White/Black	240pcs/ctn	RM 18.20
CF005-S	Aluminium	NA/White/Black	400pcs/ctn	RM 6.37
CF005-B	Aluminium	NA/White/Black	400pcs/ctn	RM 14.00
CF005-A(Key)	Aluminium	NA/White/Black	300pcs/ctn	RM 17.50

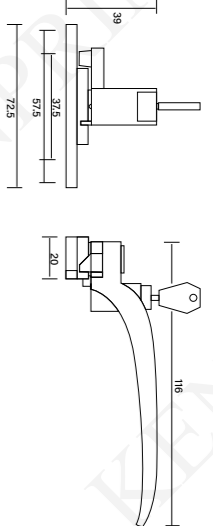
CH063-V2

Finish : NA / MB / White / Black



CH063A(KEY)

Finish : NA / MB / White / Black





SLIDING DOOR LOCK SERIES

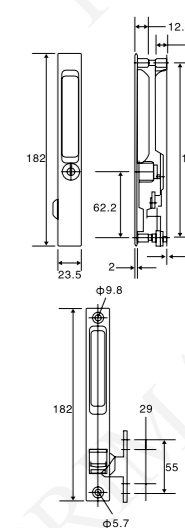
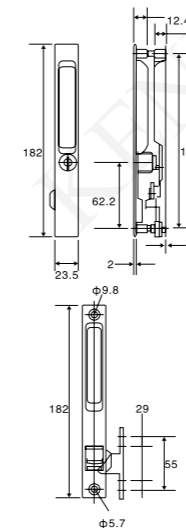
A5 LOCK W/O KEY

Available in size 25mm/32mm



A6 LOCK C/W KEY

Available in size 25mm/32mm



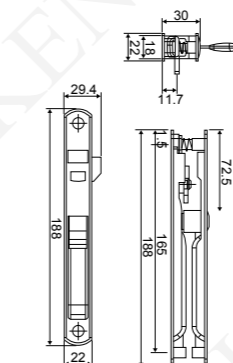
B1 LOCK W/O KEY

Can use in 25mm and 32mm Aluminium Section

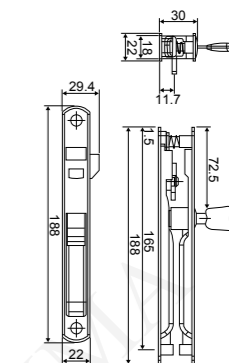


B2 LOCK (25mm) C/W KEY

Can use in 25mm and 32mm Aluminium Section



Additional Acc for 32mm Aluminium Section

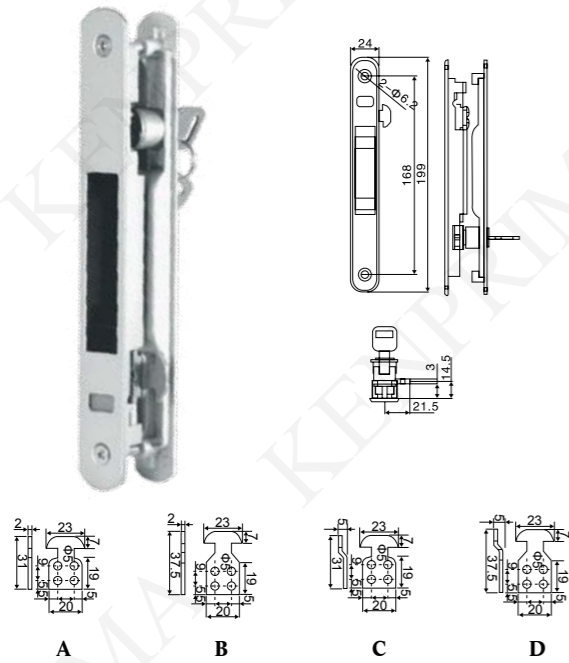


Additional Acc for 32mm Aluminium Section

MODEL NO	MATERIAL	FINISHING	PACKING	(RM)/UNIT
LA5	Zinc	NA/MB/White/Black	100pcs/ctn	RM 21.73
LA6	Zinc	NA/MB/White/Black	100pcs/ctn	RM 24.08
LB1	Aluminium	NA/MB/White/Black	100pcs/ctn	RM 15.00
LB2	Aluminium	NA/MB/White/Black	100pcs/ctn	RM 17.50

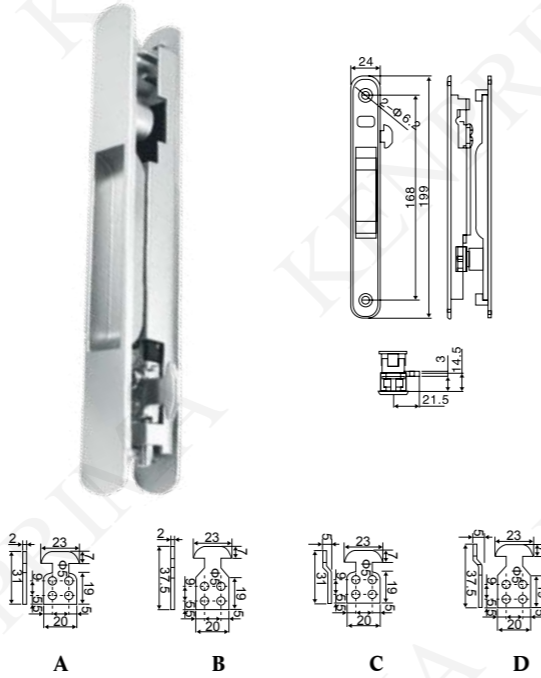
LA7

A7 Lock (32mm) C/W Key
Finish : NA / White / Black



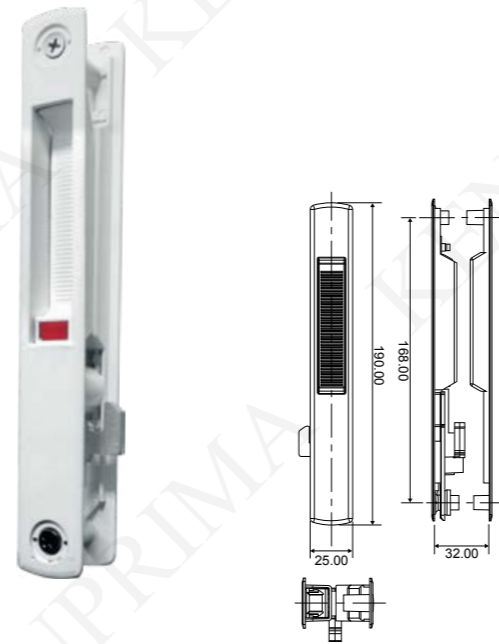
LA8

A8 Lock (32mm) W/O Key
Finish : NA / White / Black



LA1

PMA A1 Lock Without Key
Finish : NA / White / Black



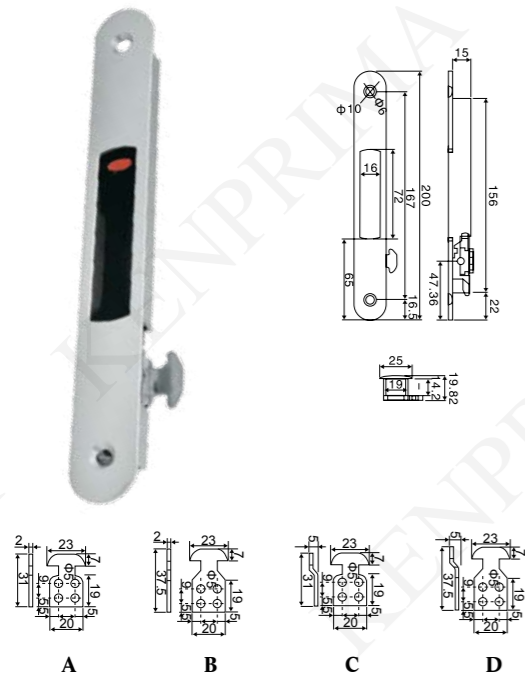
LA2

PMA A2 Lock C/W Key
Finish : NA / White / Black



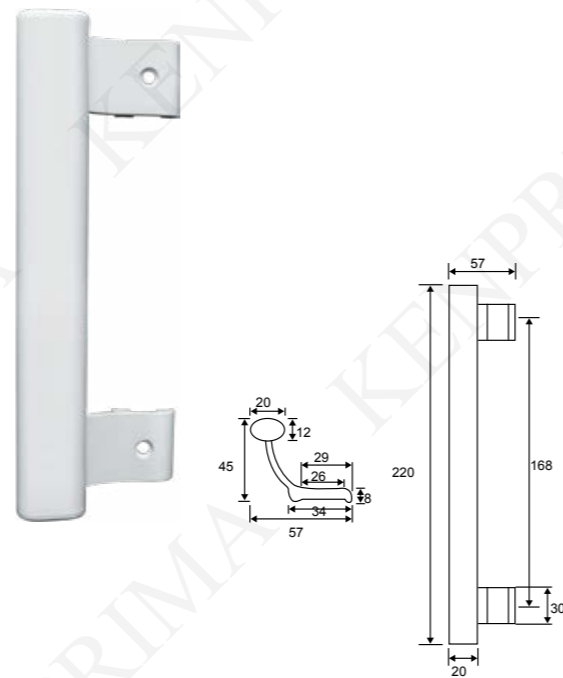
LC5

C5 Auto Lock (Single sided) W/O Key
Finish : White / Black



LC9 Handle

Suitable for A7/A8 Lock
Finish : White / Black



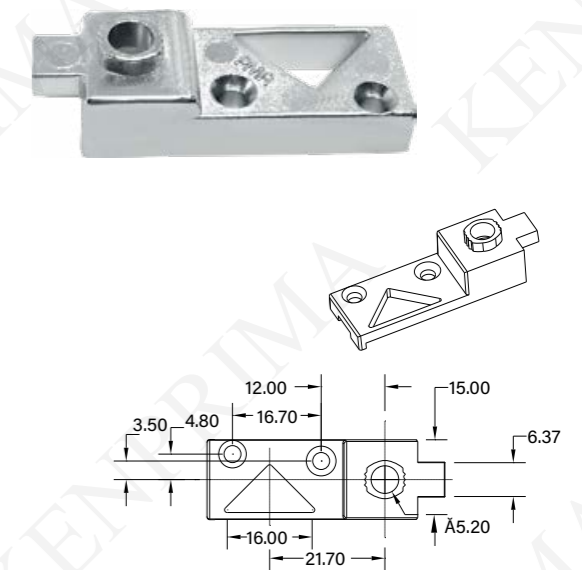
LB9

Suitable for A5/A6/A7/A8/B1/B2/A1/A2 Use
Finish : White / Black



LA2-ACC

For A1 & A2 Lock use
(32mm Aluminium Section)

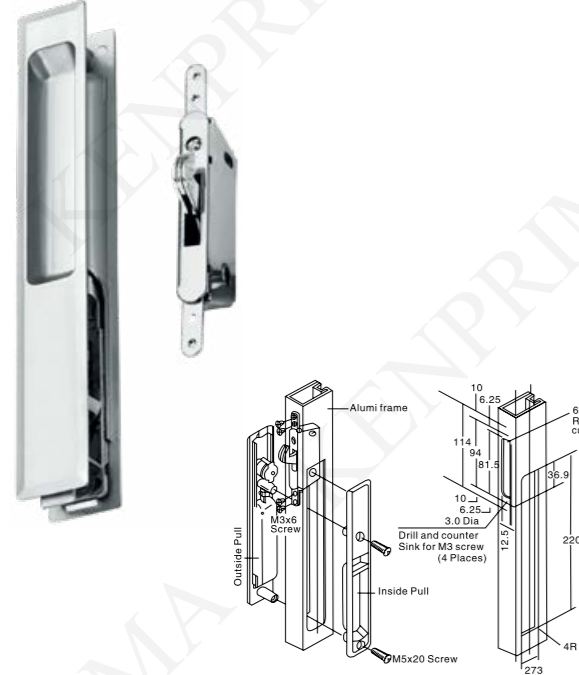


MODEL NO	MATERIAL	FINISHING	PACKING	(RM)/UNIT
LA7	Zinc	NA/MB/White/Black	50pcs/ctn	RM 31.25
LA8	Zinc	NA/MB/White/Black	50pcs/ctn	RM 25.00
LC5-AUTO	Zinc	NA/MB/White/Black	50pcs/ctn	RM 25.00
LC9-Handle	Zinc	NA/MB/White/Black	100pcs/ctn	RM 14.75

MODEL NO	MATERIAL	FINISHING	PACKING	(RM)/UNIT
LA1	Zinc	NA/MB/White/Black	100pcs/ctn	RM 22.40
LA2	Zinc	NA/MB/White/Black	100pcs/ctn	RM 24.45
LA2-ACC	Zinc	-	-	RM 3.50
LB9-Handle	Zinc	White/Black	100pcs/ctn	RM 32.50

J5

Lock W/O Key
Finish : NA / MB / Black / White



J6

Lock C/W Key
Finish : NA / MB / Black / White



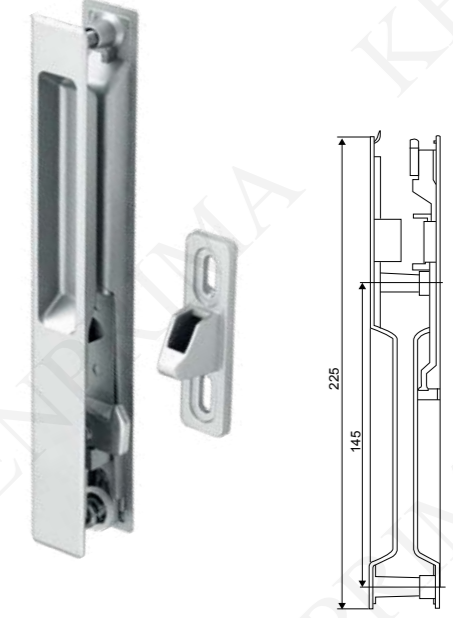
J9

Lock C/W Key
Suitable For 40mm Aluminium Section
Finish : NA/Black/White



J10

Lock W/O Key
Suitable For 40mm Aluminum Section
Finish : NA / Black / White



J7

Lock Double Sided Key
Finish : Black / White



S88 SN S

Series Sliding Door Lock
Finish : SILVER



4420

Lock C/W Single Side Key
Finish : NA / MB / White



4430

Lock C/W Double Side Key
Finish : NA / MB



MODEL NO	MATERIAL	FINISHING	PACKING	(RM)/UNIT
LJ5	Zinc	NA/MB/White/Black	50pcs/ctn	RM 53.38
LJ6	Zinc	NA/MB/White/Black	50pcs/ctn	RM 58.38
LJ7	Zinc	White/Black	50pcs/ctn	RM 182.00
S88-SN-S	Zinc	Silver	50pcs/ctn	RM 85.00

MODEL NO	MATERIAL	FINISHING	PACKING	(RM)/UNIT
LJ9	Zinc	NA/White/Black	50pcs/ctn	RM 53.75
LJ10	Zinc	NA/White/Black	50pcs/ctn	RM 51.25
L4420	Zinc	NA/MB/White	50pcs/ctn	RM 42.88
L4430	Zinc	NA/MB	50pcs/ctn	RM 112.00

M6 S/Steel Bar

300mm/600mm
/900mm/1200mm



M5 Dummy Set

Finish: White / Black
Code: LM5



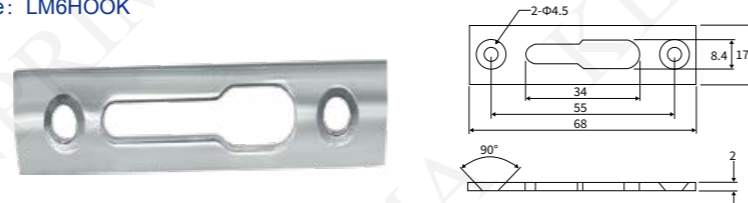
M6(25/32mm)

Finish: White / Black
Code: LM6 / LM632



KEEPER

Finish: Mill
Code: LM6HOOK



MODEL NO	SIZE	MATERIAL	FINISHING	PACKING	(RM)/UNIT
LM6B-300	300MM	Stainless Steel	S/S	50pcs/ctn	RM 19.00
LM6B-600	600MM	Stainless Steel	S/S	50pcs/ctn	RM 28.25
LM6B-900	900MM	Stainless Steel	S/S	50pcs/ctn	RM 35.25
LM6B-1200	1200MM	Stainless Steel	S/S	50pcs/ctn	RM 43.00
LM5	32MM/40MM	Ahuminium	White/Black	50pcs/ctn	RM 42.00
LM6	32MM/40MM	Ahuminium	White/Black	50pcs/ctn	RM 77.25
LM6-HOOK	-	Stainless Steel	S/S	1000pcs/ctn	RM 2.88

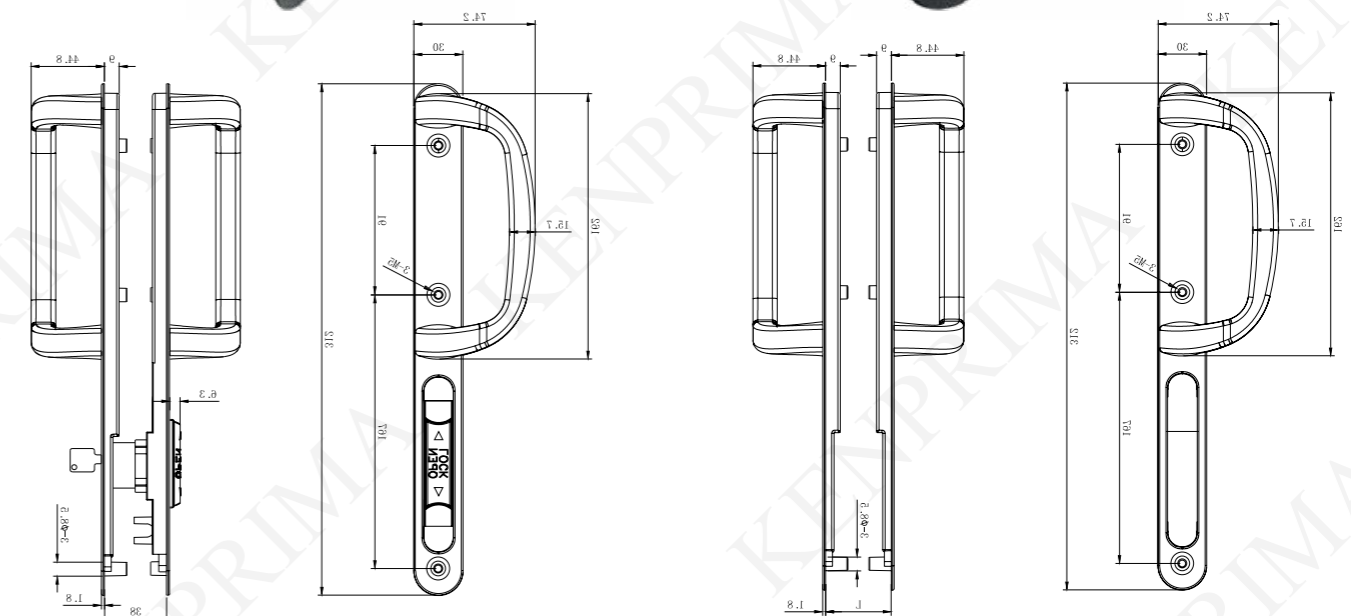
PSD-M2

Sliding Door Lock With
Handle With Key
Finish: White / Black



PSD-M1

Sliding Door Lock With
Handle W/O Key
Finish: White / Black



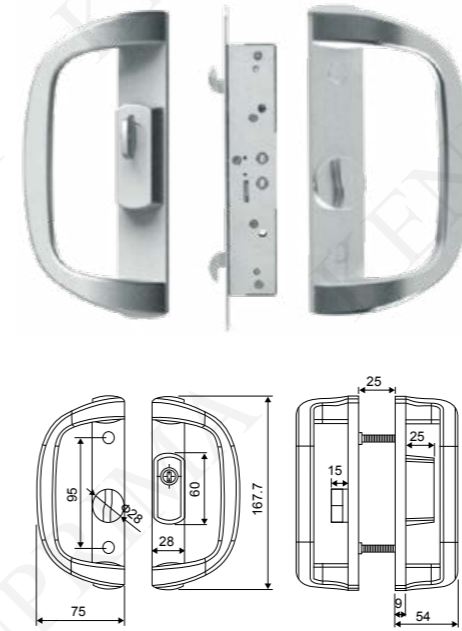
MODEL NO	MATERIAL	FINISHING	PACKING	(RM)/UNIT
PSD-M1	Zinc	White/Black	20pcs/ctn	RM 160.00
PSD-M2	Zinc	White/Black	20pcs/ctn	RM 167.50



PERFORMANCE SLIDING DOOR HANDLE SERIES

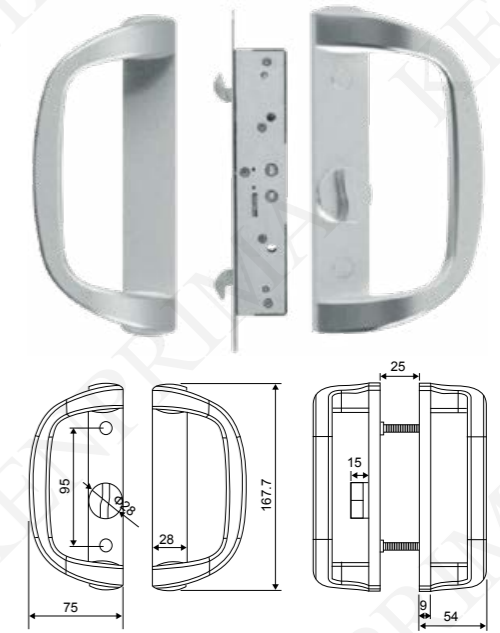
PSD-712

Sliding Lock With 1 Side Key & 1 Side Thumbtum



PSD-713

Sliding Lock With Single Thumbtum



PSD-714

Sliding Lock With Double Handle



PSD-715

Sliding Lock With 2 Side Key



MODEL NO	MATERIAL	FINISHING	PACKING	(RM)/UNIT
PSD-712	Zinc	White/Black	20pcs/ctn	RM 160.00
PSD-713	Zinc	White/Black	20pcs/ctn	RM 147.50
PSD-714	Zinc	White/Black	20pcs/ctn	RM 77.50
PSD-715	Zinc	White/Black	20pcs/ctn	RM 195.00

SHB-1

Double Door With Key

SHB-2

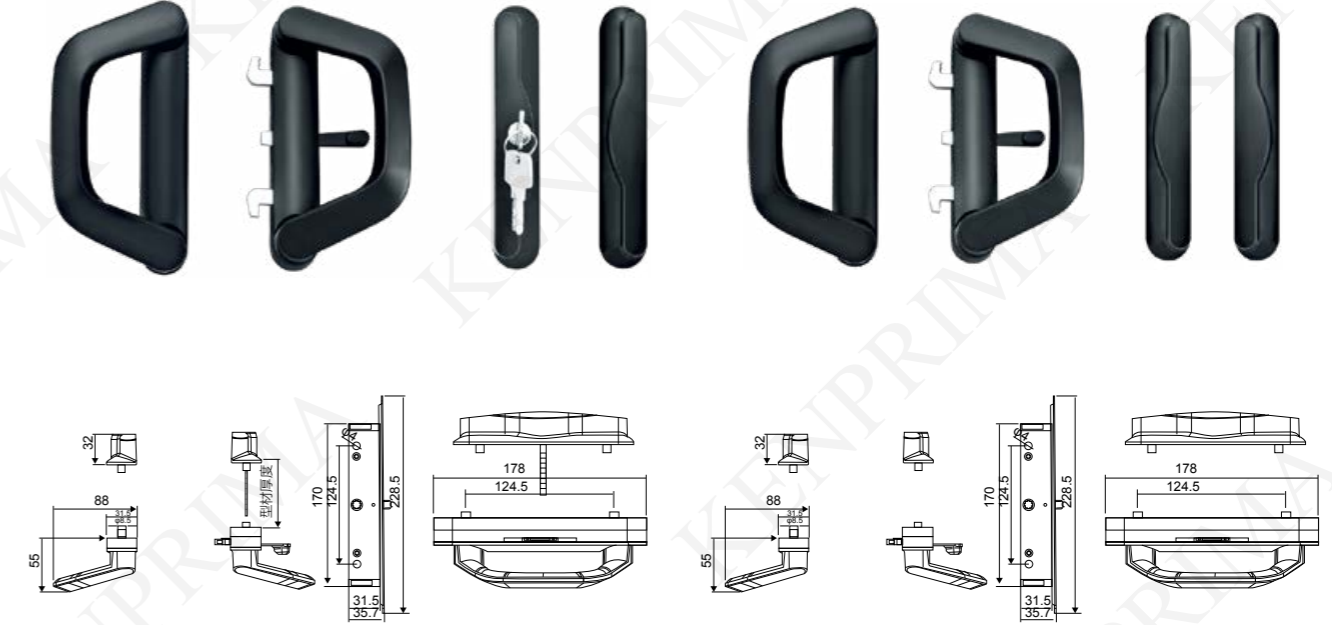
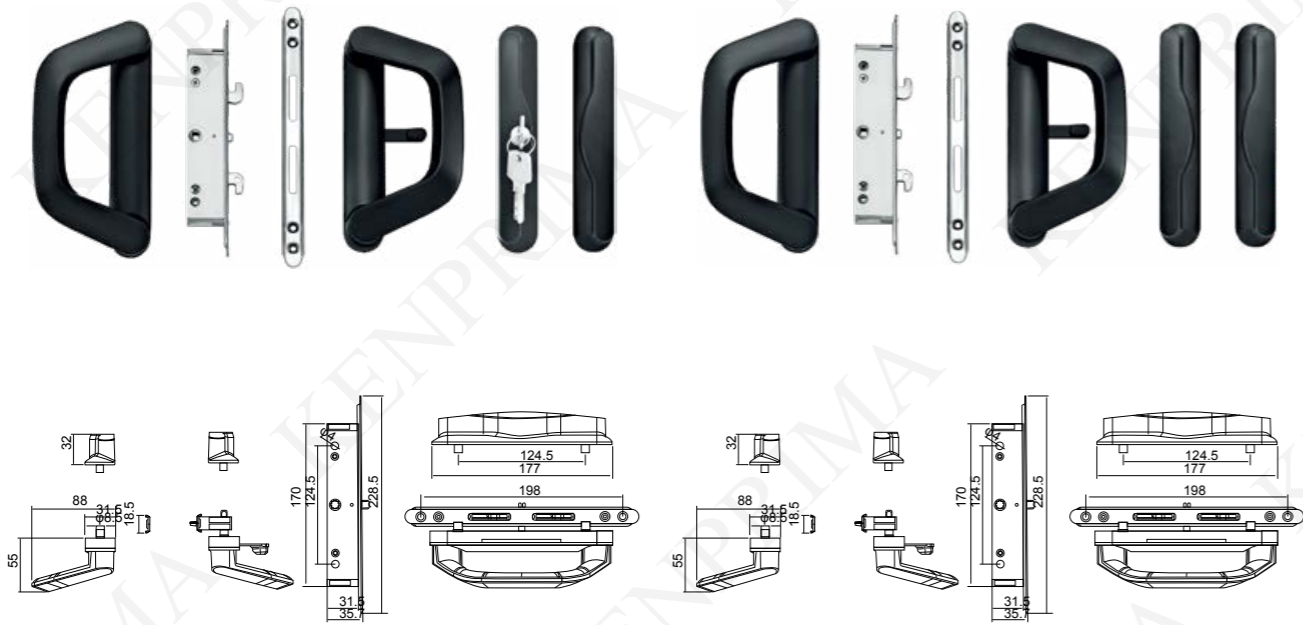
Double Door w/o Key

SHA-1

Double Door With Key

SHA-2

Double Door w/o Key



SHB-3

Single Door With Key

SHB-4

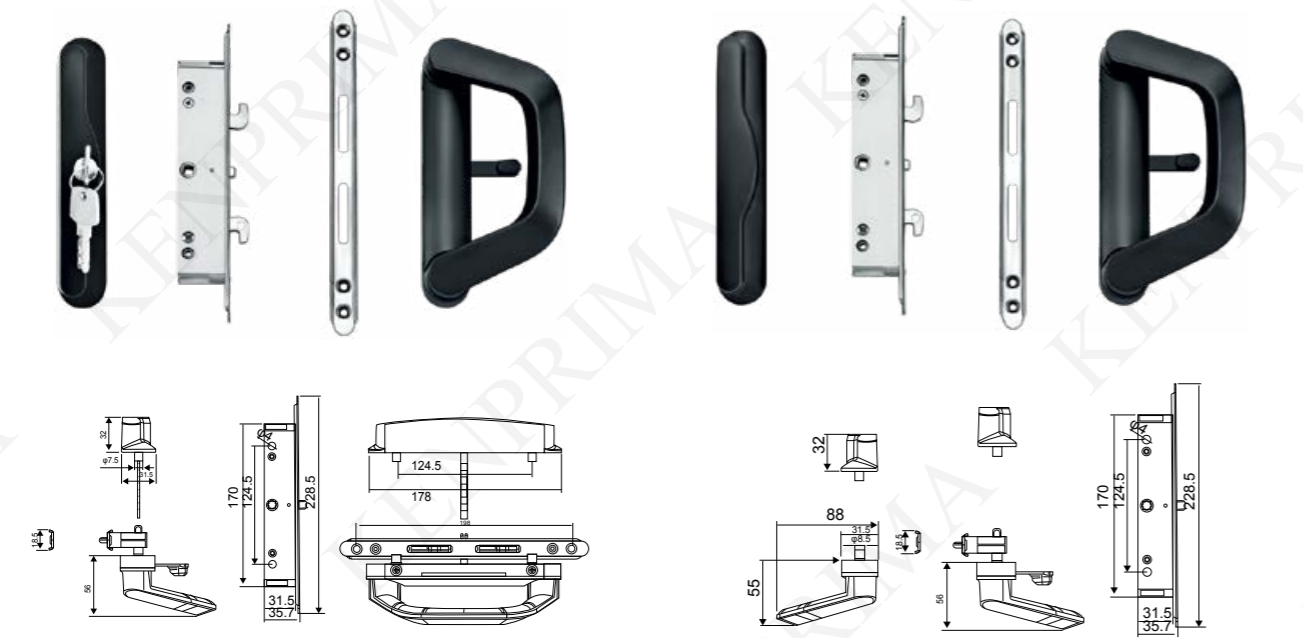
Single Door W/O Key

SHA-3

Single Door With Key

SHA-4

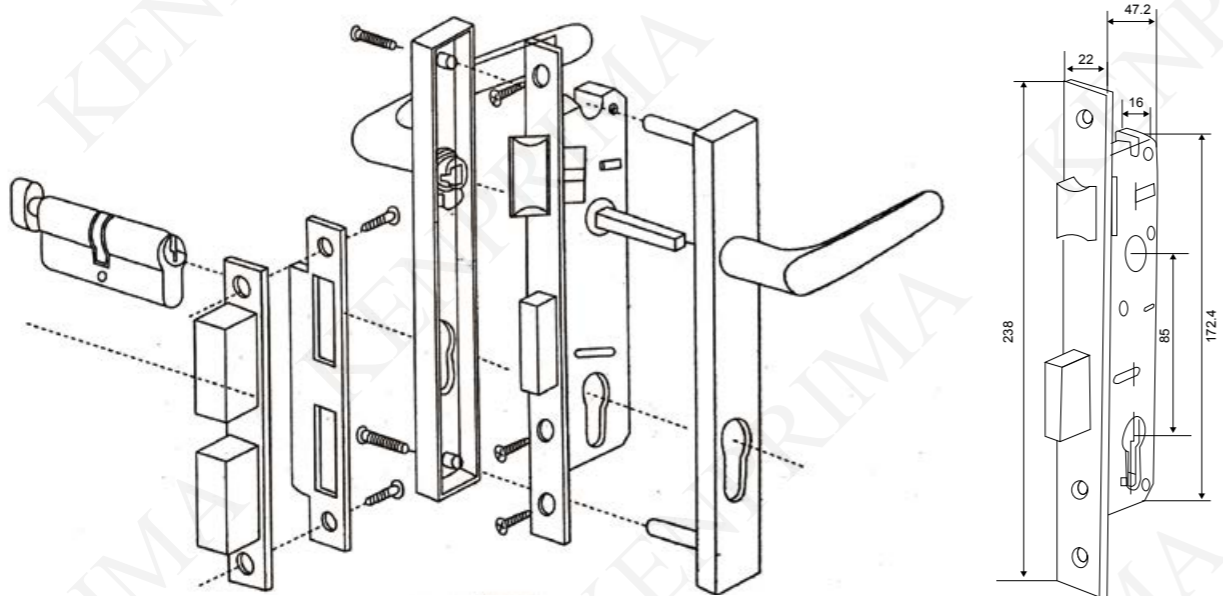
Single Door W/O Key



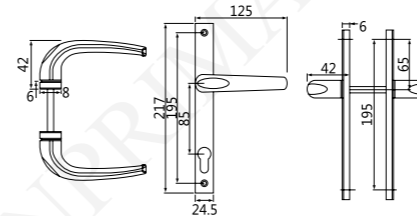
MODEL NO	MATERIAL	FINISHING	PACKING	(RM)/UNIT
SHB-1	Zinc	White/Black	10set/ctn	RM 235.00
SHB-2	Zinc	White/Black	10set/ctn	RM 212.00
SHB-3	Zinc	White/Black	10set/ctn	RM 205.00
SHB-4	Zinc	White/Black	10set/ctn	RM 183.00

MODEL NO	MATERIAL	FINISHING	PACKING	(RM)/UNIT
SHA-1	Zinc	White/Black	10set/ctn	RM 165.50
SHA-2	Zinc	White/Black	10set/ctn	RM 140.50
SHA-3	Zinc	White/Black	10set/ctn	RM 138.00
SHA-4	Zinc	White/Black	10set/ctn	RM 115.50

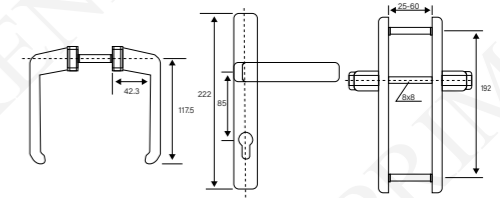
MORTISE LEVER LOCK



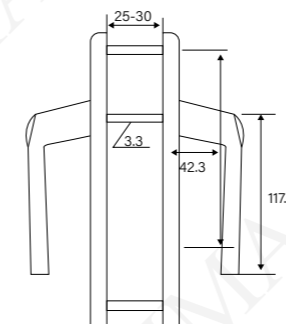
L-316 MORTISE LEVER LOCK



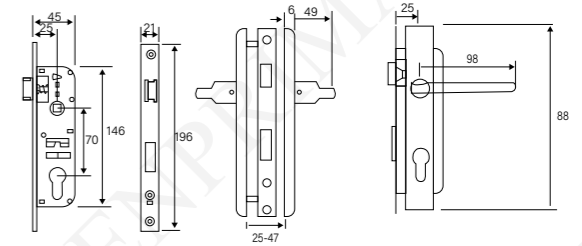
L-226 MORTISE LEVER LOCK



L228 Security Lock

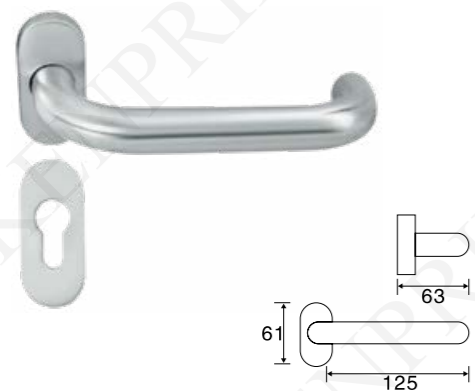


L229 Security Lock

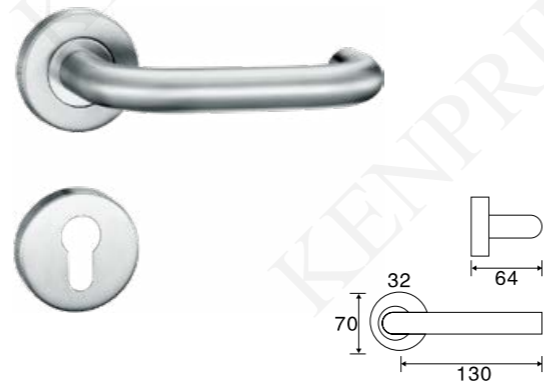


MODEL NO	MATERIAL	FINISHING	PACKING	(RM)/UNIT
L-316	Zinc	NA/SS/White/Black	20pcs/ctn	RM 177.50
L-226	Zinc	White/Black	20pcs/ctn	RM 177.50
L-228	Zinc	SS/White/Black	20pcs/ctn	RM 177.50
L-229	Zinc	White/Black	20pcs/ctn	RM 177.50

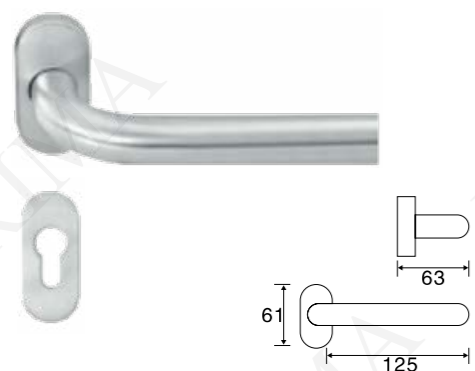
LT 32 OV



LT 32



LT-35-OV



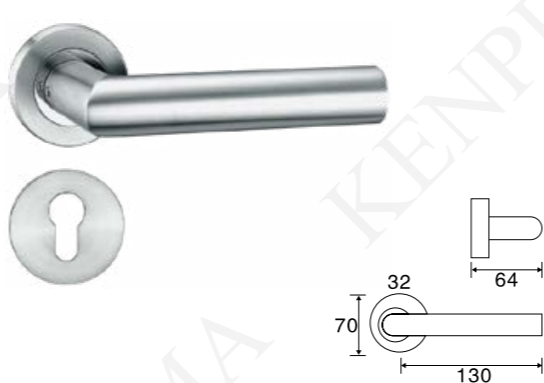
LT-35



LT-32-OV

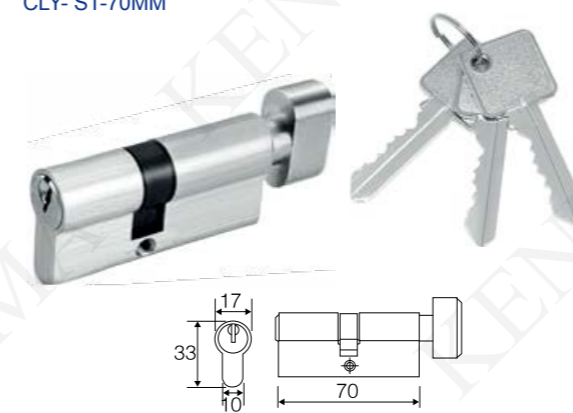


LT-37



Cylinder Single Side Key

CLY- ST-70MM



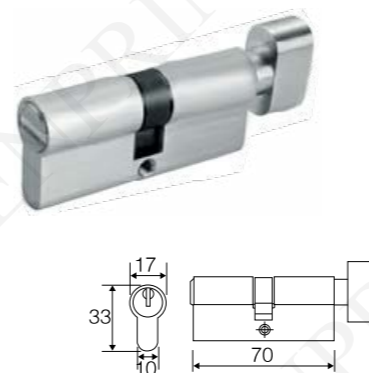
Half Cylinder With Key

CLY-HALF-40MM-K



Privacy Cylinder With Knob

CYL-PV-70MM



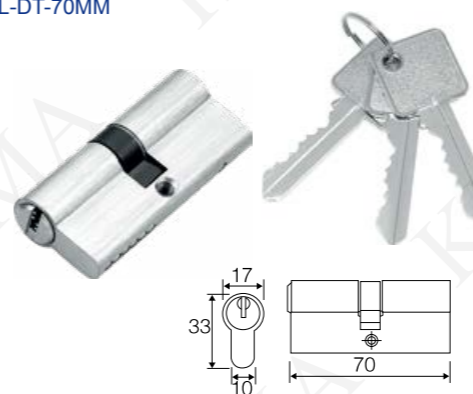
Half Cylinder With Knob

CLY-HALF-40MM-T



Cylinder Double Side Key

CYL-DT-70MM



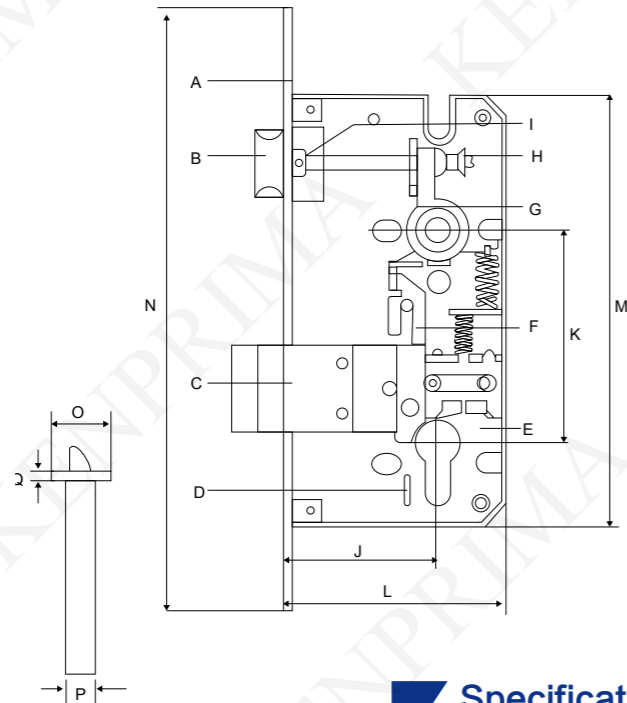
Cylinder for SHB Series Lock

SHB-KEY



MODEL NO	MATERIAL	FINISHING	PACKING	(RM)/UNIT
LT-32-OV	SUS 304/Zinc	SN	20pcs/ctn	RM 150.50
LT-32	SUS 304/Zinc	SN	20pcs/ctn	RM 147.50
LT-35-OV	SUS 304/Zinc	SN	20pcs/ctn	RM 150.50
LT-35	SUS 304/Zinc	SN	20pcs/ctn	RM 147.50
LT-37-OV	SUS 304/Zinc	SN	20pcs/ctn	RM 150.50
LT-37	SUS 304/Zinc	SN	20pcs/ctn	RM 147.50

MODEL NO	FUNCTION	MATERIAL	FINISHING	PACKING	(RM)/UNIT
CYL-ST-70MM	Thumbturn & Key	Brass	SN	50pcs/ctn	RM 53.75
CYL-DT-70MM	Double Key	Brass	SN	50pcs/ctn	RM 48.75
CYL-HALF-40MM-T	Half Cylinder wt Thumbturn	Brass	SN	50pcs/ctn	RM 38.75
CYL-HALF-40MM-K	Half Cylinder wt Key	Brass	SN	50pcs/ctn	RM 41.25
CYL-PV-70MM	Thumbturn & Privacy	Brass	SN	50pcs/ctn	RM 42.50
SHB-KEY	Single Key	Brass	SN	50pcs/ctn	RM 25.00



- A - Forend Plate
- B - Latch Bolt
- C - Dead Bolt
- D - Screw Channel for Cylinder
- E - lockcase
- F - Action-Arm
- G - Follower
- H - Turning Device
- I - Spring
- J - Backset
- K - Distance
- L - Lockcase Width
- M - Lockcase Height
- N - Forend Length
- O - Forend Width
- P - Lockcase Thickness
- Q - Forend Thickness

Specification

- Stainless Steel SUS 304 3mm thickness Forendplate(Square)
- Stainless Steel SUS 304 1.5mm thickness Forendplate(Square)
- Stainless Steel SUS 304 1 x Curve Design Latch Bolt
- Stainless Steel SUS 304 1 x Square Dead Bolt
- Electrolytic steel 1.2mm Lockcase
- 8mm x 8mm Follower.

Features

- 25, 30, 35, 40, 45, 60 Backset of door
- 85mm Center distance of lock
- Sash Lock Function
- Reversible Latch Lock

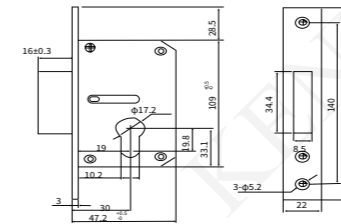


MODEL NO	J	K	L	M	N	O	P	Q
M25*85	25	85	42	172	240	23	15	3
M30*85	30	85	47	172	240	23	15	3
M35*85	35	85	52	172	240	23	15	3
M40*85	40	85	57	172	240	23	15	3
M45*85	45	85	62	172	240	23	15	3
M60*85	60	85	77	172	240	23	15	3

MODEL NO	MATERIAL	FINISHING	PACKING	(RM)/UNIT
M25*85	SUS 304/Brass	SN	50pcs/ctn	RM 38.75
M30*85	SUS 304/Brass	SN	50pcs/ctn	RM 40.00
M35*85	SUS 304/Brass	SN	50pcs/ctn	RM 42.50
M40*85	SUS 304/Brass	SN	50pcs/ctn	RM 53.75
M45*85	SUS 304/Brass	SN	50pcs/ctn	RM 55.00
M60*85	SUS 304/Brass	SN	50pcs/ctn	RM 57.50

RMD-30

Cylinder Mortise with Square Latch

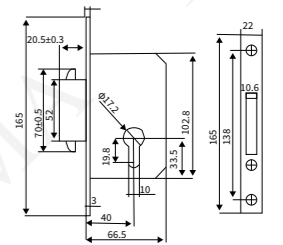


Square Latch:3.0mm Stainless Steel Plate
Used For:Wood Door / Aluminium Door
Finishing: Hairline

30mm

RMD-31

Cylinder Mortise with Square Latch Hook

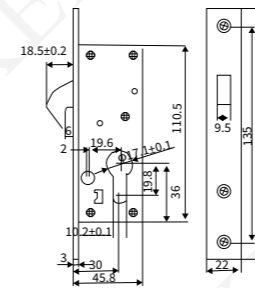


Square Latch with hook:3.0mm Stainless Steel Plate
Used For:Wood Door / Aluminium Door
Finishing: Hairline

40mm

RMD-32

Cylinder Mortise with Hook

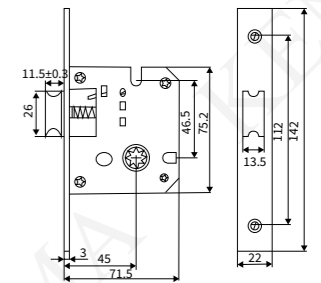


Square Latch with hook:3.0mm Stainless Steel Plate
Used For:Wood Door / Aluminium Door
Finishing: Hairline

30mm

RMD-33

Spring Latch Mortise



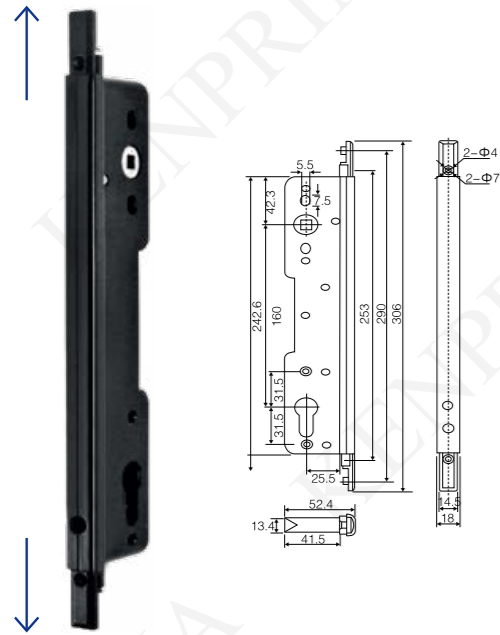
Spring Latch;3.0mm Stainless Steel Plate
Used For:Wood Door / Aluminium Door
Finishing: Hairline

45mm

MODEL NO	MATERIAL	FINISHING	PACKING	(RM)/UNIT
RMD-30	SUS 304	SN	50pcs/ctn	RM 40.00
RMD-31	SUS 304	SN	50pcs/ctn	RM 48.00
RMD-32	SUS 304	SN	50pcs/ctn	RM 44.00
RMD-33	SUS 304	SN	50pcs/ctn	RM 50.00

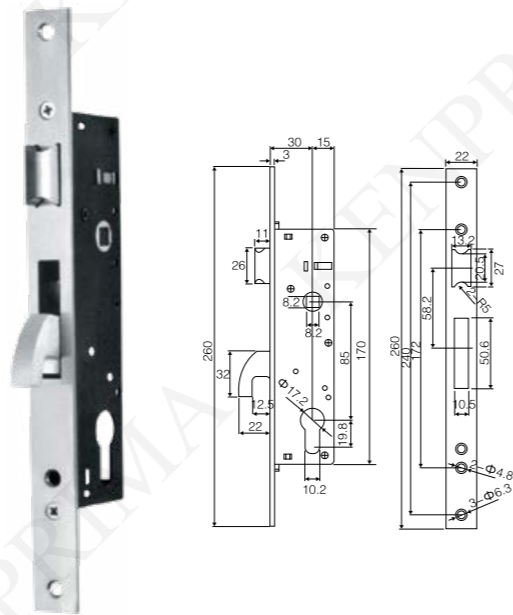
M028

Lock Body



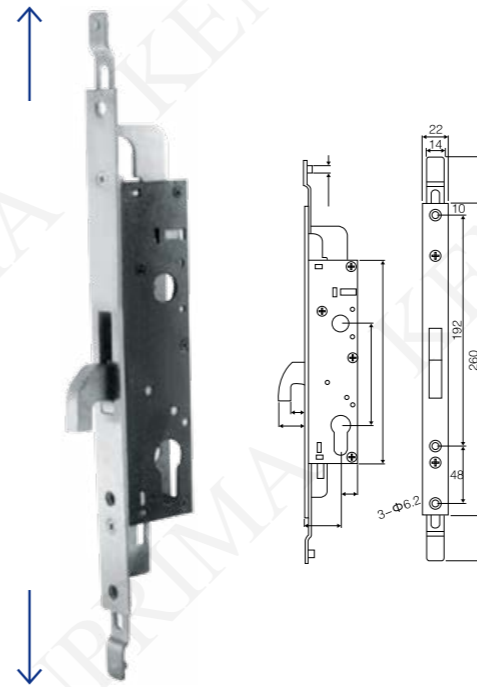
3085-E1

Lock Body



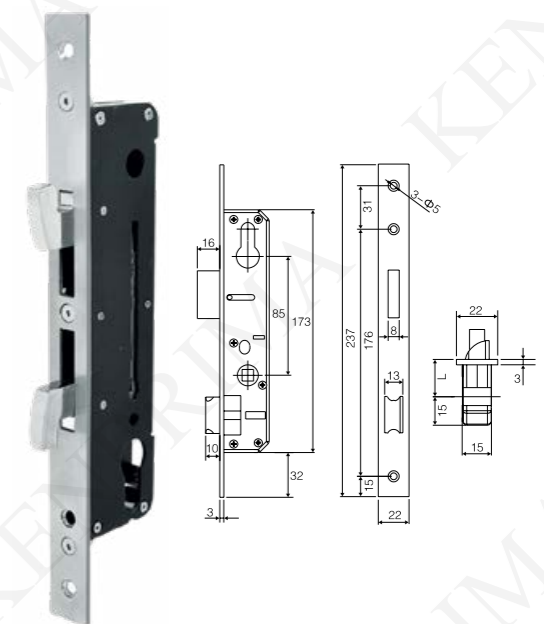
3085-E4

Lock Body



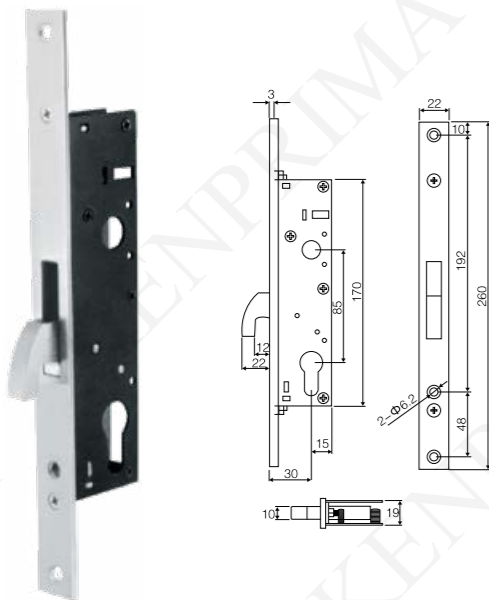
3585-E5

Lock Body



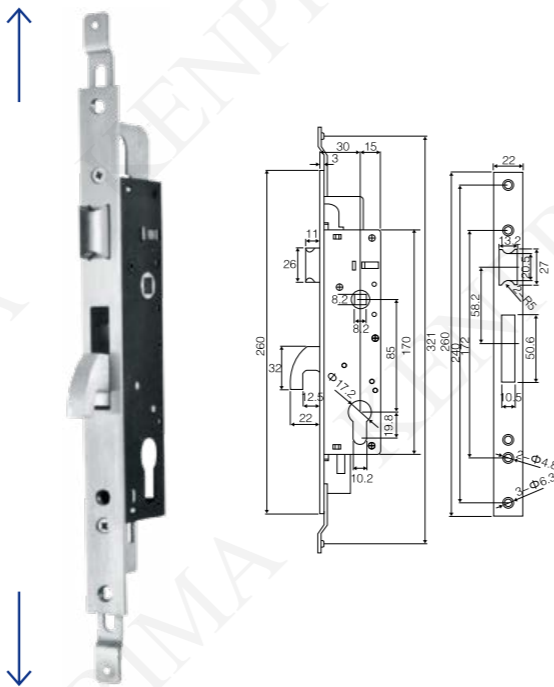
3085-E2

Lock Body



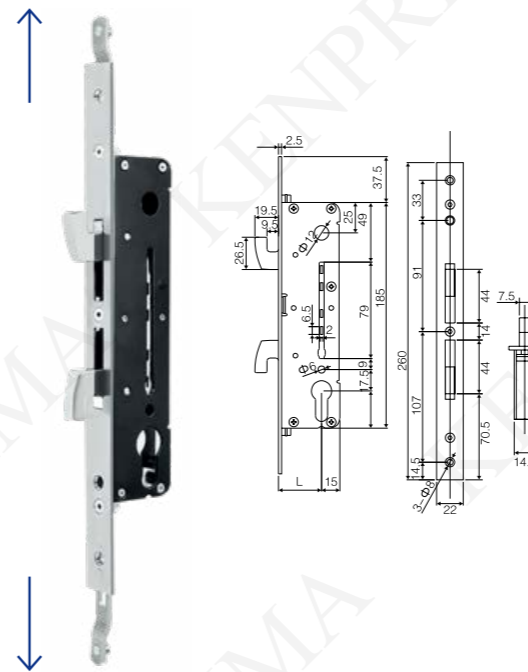
3085-E3

Lock Body For L 316



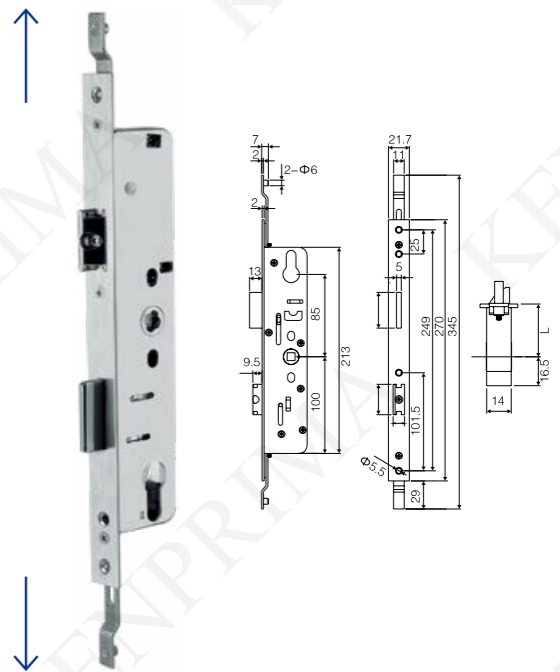
3585-E7

Lock Body



3085-E6

Lock Body

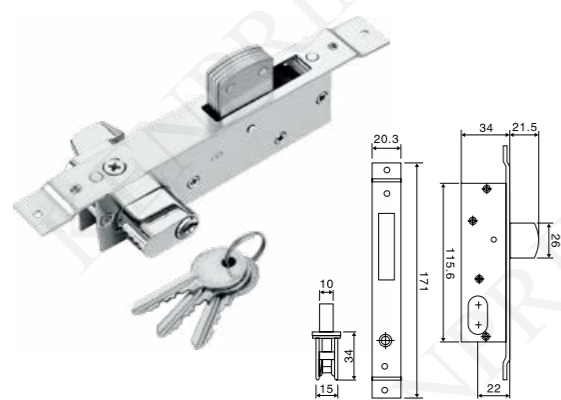


MODEL NO	MATERIAL	FINISHING	PACKING	(RM)/UNIT
M028	Zinc	White/Black	50pcs/ctn	RM 112.50
3085-E1	SUS 304	SN	50pcs/ctn	RM 65.00
3085-E2	SUS 304	SN	50pcs/ctn	RM 60.00
3085-E3	SUS 304	SN	50pcs/ctn	RM 79.50

MODEL NO	MATERIAL	FINISHING	PACKING	(RM)/UNIT
3085-E4	SUS 304	SN	50pcs/ctn	RM 80.00
3085-E5	SUS 304	SN	50pcs/ctn	RM 75.00
3085-E7	SUS 304	SN	50pcs/ctn	RM 80.00
3085-E6	SUS 304	SN	50pcs/ctn	RM 85.00

41054-S Dead Lock

Single turn dead lock

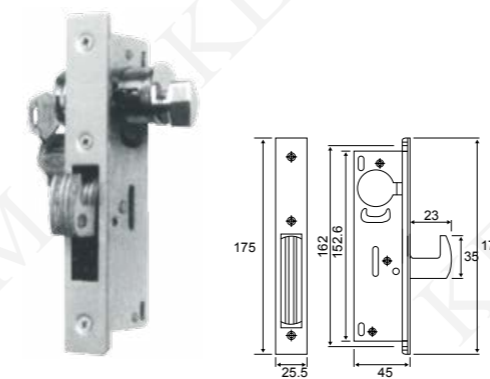


41054-D Dead Lock

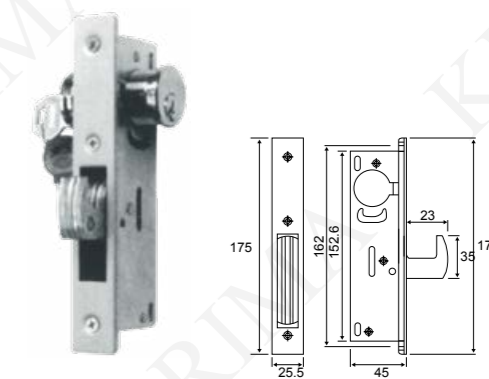
Double turn dead lock



4128-S Prima Swing Door Hook Lock



4128-D Prima Swing Door Hook Lock



41055-S Hook Lock

Single turn Hook lock

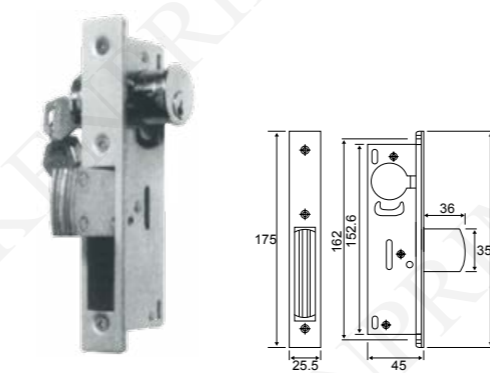


41055-D Hook Lock

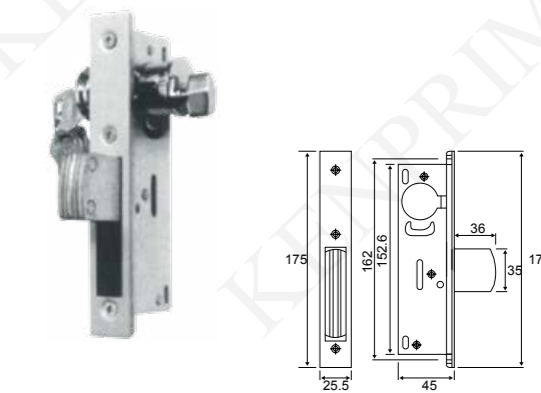
Double turn Hook lock



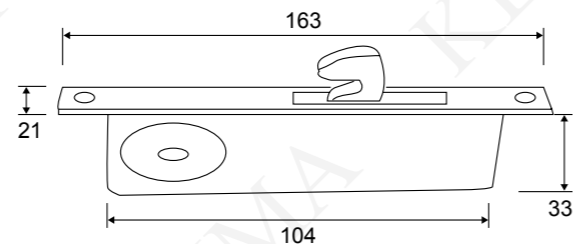
5128-D Prima Swing Door Dead Lock



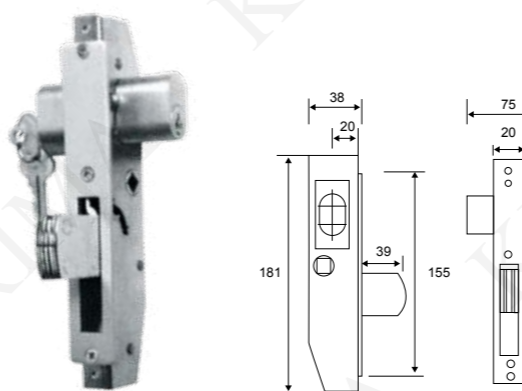
5128-S Prima Swing Door Dead Lock



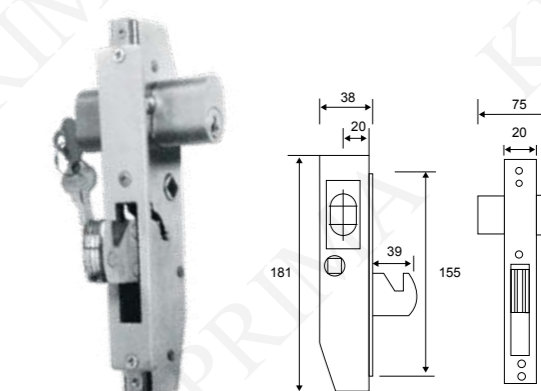
51055 Dead Lock (Cross Key)



590 Amour Plate Dead Lock



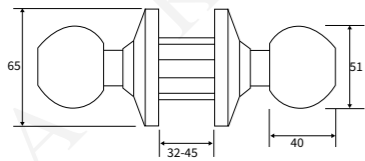
591 Amour Plate Hook Lock



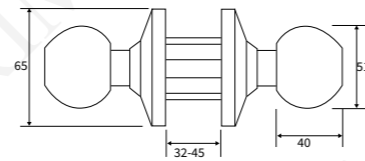
MODEL NO	MATERIAL	FINISHING	PACKING	(RM)/UNIT
LP41054-S	Brass Cylinder	MF	50pcs/ctn	RM 25.75
LP41054-D	Brass Cylinder	MF	50pcs/ctn	RM 25.75
LP41055-S	Brass Cylinder	MF	50pcs/ctn	RM 25.75
LP41055-D	Brass Cylinder	MF	50pcs/ctn	RM 25.75
LP51055	Brass Cylinder	MF	50pcs/ctn	RM 26.25

MODEL NO	MATERIAL	FINISHING	PACKING	(RM)/UNIT
L4128-L-S	Brass Cylinder	MF	50pcs/ctn	RM 105.00
L4128-L-D	Brass Cylinder	MF	50pcs/ctn	RM 105.00
L5128-S	Brass Cylinder	MF	50pcs/ctn	RM 105.00
L5128-D	Brass Cylinder	MF	50pcs/ctn	RM 105.00
L590	Brass Cylinder	MF	50pcs/ctn	RM 210.00
L591	Brass Cylinder	MF	50pcs/ctn	RM 210.00

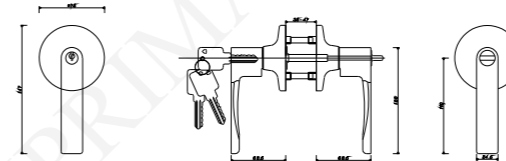
3871 Cylinder Lock With key



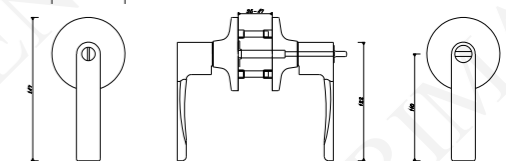
3872 Cylinder Lock W/O Key



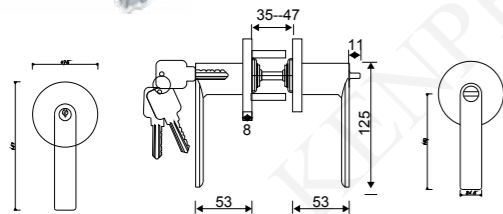
8600 Handle Cylinder With Key



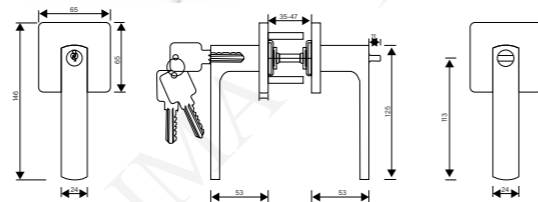
8610 Handle Cylinder W/O Key



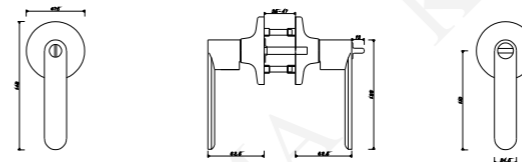
CYL-J317 Tubular Lock



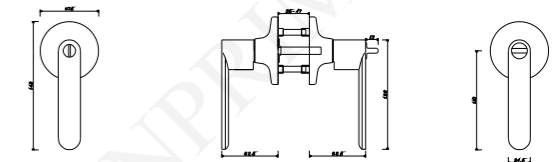
CYL-J328 Tubular Lock



TL-6491 Tubular Lock with Key

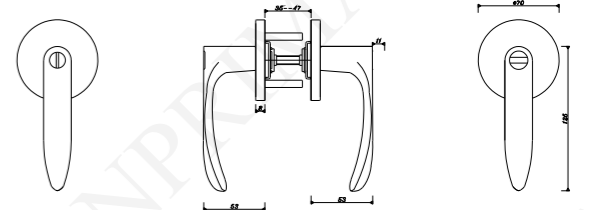
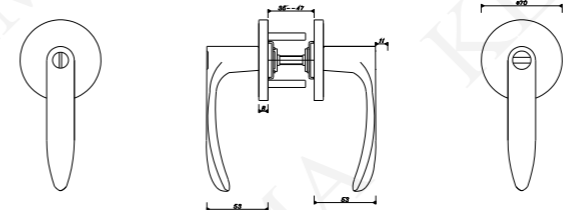
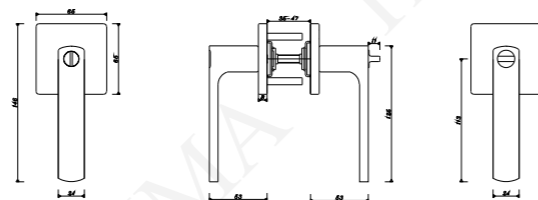
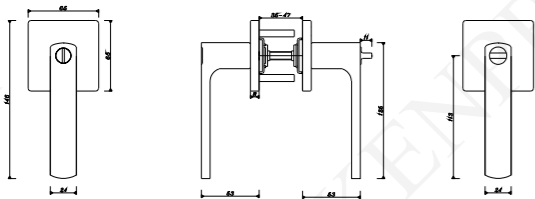
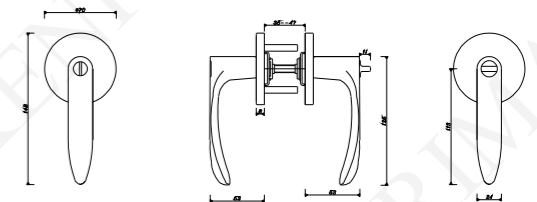
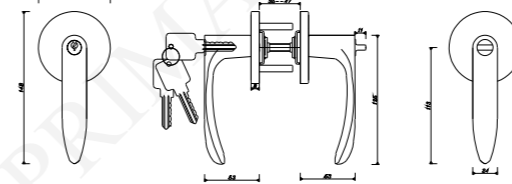
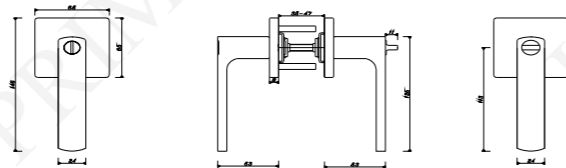
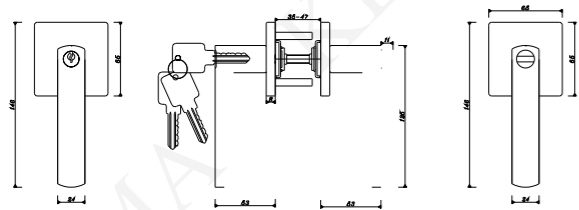


TL-6492 Tubular Lock w/o Key



MODEL NO	FUNCTION	MATERIAL	FINISHING	PACKING	(RM)/UNIT
CYL-3871	Entrance	SUS 304/Zinc	SS	30pcs/ctn	RM 25.75
CYL-3872	Privacy	SUS 304/Zinc	SS	30pcs/ctn	RM 23.25
TL-J317	Entrance	SUS 304/Zinc	SS	24pcs/ctn	RM 112.50
TL-J328	Entrance	SUS 304/Zinc	SS	24pcs/ctn	RM 112.50

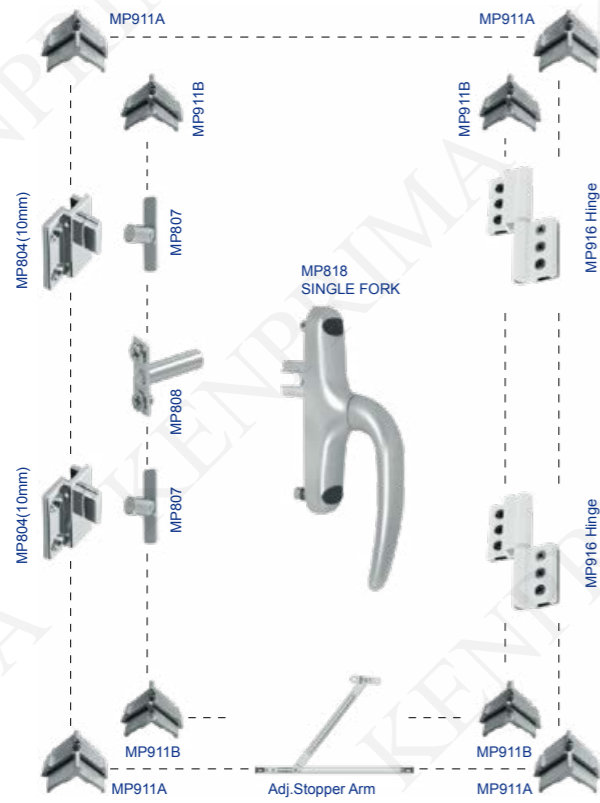
MODEL NO	FUNCTION	MATERIAL	FINISHING	PACKING	(RM)/UNIT
TL-8600	Entrance	SUS 304/Zinc	SS	24pcs/ctn	RM 80.00
TL-8610	Privacy	SUS 304/Zinc	SS	24pcs/ctn	RM 72.50
TL-6491	Entrance	SUS 304/Zinc	SS	24pcs/ctn	RM 95.00
TL-6492	Privacy	SUS 304/Zinc	SS	24pcs/ctn	RM 87.50



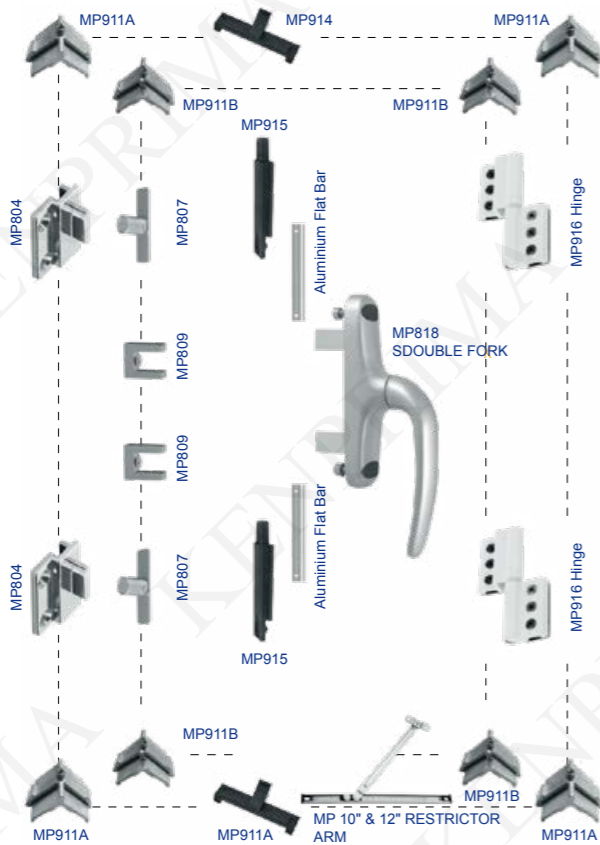
MODEL NO	FUNCTION	MATERIAL	FINISHING	PACKING	(RM)/UNIT
TL-1818-SS	Entrance	SUS 304/Zinc	SS	24pcs/ctn	RM 105.00
TL-1818-MB	Entrance	SUS 304/Zinc	MattBlack	24pcs/ctn	RM 116.25
TL-1828-SS	Privacy	SUS 304/Zinc	SS	24pcs/ctn	RM 97.50
TL-1828-MB	Privacy	SUS 304/Zinc	MattBlack	24pcs/ctn	RM 108.75

MODEL NO	FUNCTION	MATERIAL	FINISHING	PACKING	(RM)/UNIT
TL-1819-SS	Entrance	SUS 304/Zinc	SS	24pcs/ctn	RM 102.50
TL-1819-MB	Entrance	SUS 304/Zinc	MattBlack	24pcs/ctn	RM 103.75
TL-1829-SS	Privacy	SUS 304/Zinc	SS	24pcs/ctn	RM 95.00
TL-1829-MB	Privacy	SUS 304/Zinc	MattBlack	24pcs/ctn	RM 106.25

MULTIPOINT SINGLE SLIDE ACTION

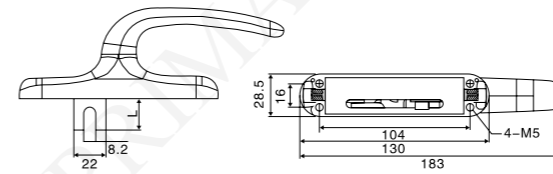


MULTIPOINT WINDOW (PMB)

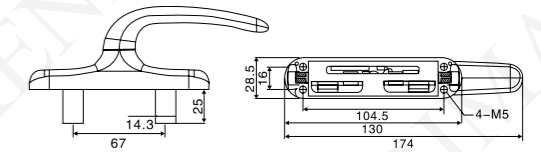


MULTIPOINT DOUBLE SLIDE ACTION

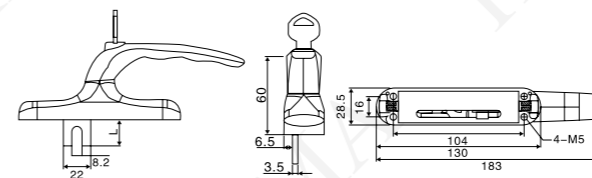
MP 818 SF Single Fork



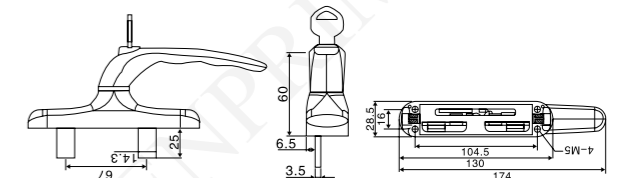
MP 818 DF Double Fork



MP 820 SF Single Fork



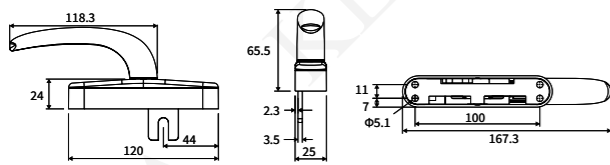
MP 820 DF Double Fork



MODEL NO	FUNCTION	BRAND	MATERIAL	FINISHING	PACKING	(RM)/UNIT
MP 818-SF	Single Fork	PRIMA	Zinc	White/Black	50pcs/ctn	RM 22.75
MP 818-DF	Double Fork	PRIMA	Zinc	White/Black	50pcs/ctn	RM 22.75
MP 820-SF	Single Fork	PRIMA	Zinc	White/Black	50pcs/ctn	RM 48.75
MP 820-DF	Double Fork	PRIMA	Zinc	White/Black	50pcs/ctn	RM 48.75

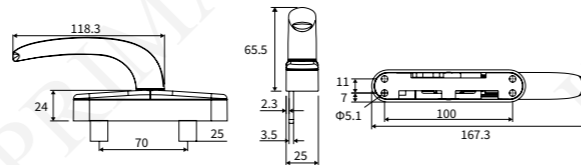
MP 831-SF Single Fork

Multipoint Euro Handle Without Screw Cover



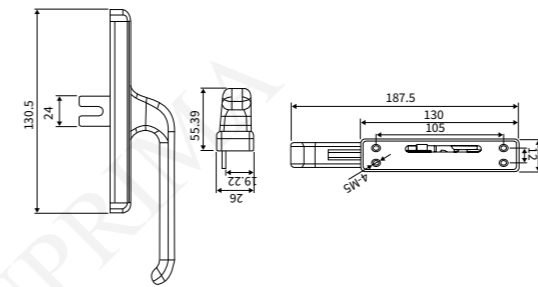
MP 831-DF Double Fork

Multipoint Euro Handle Without Screw Cover



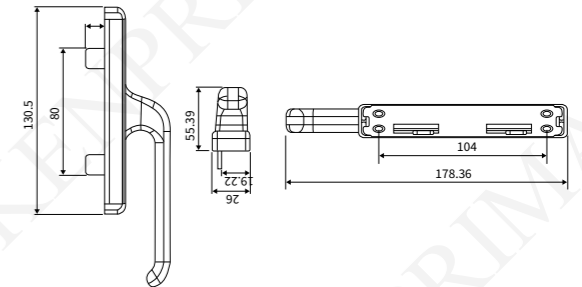
MP841-SF W/O Push Button

Single Fork Multipoint Euro Handle



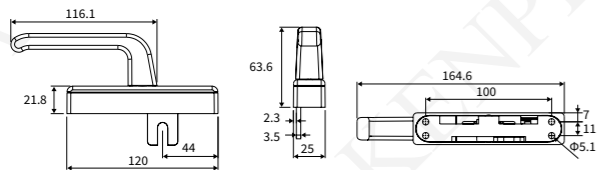
MP841-DF W/O Push Button

Double Fork Multipoint Euro Handle



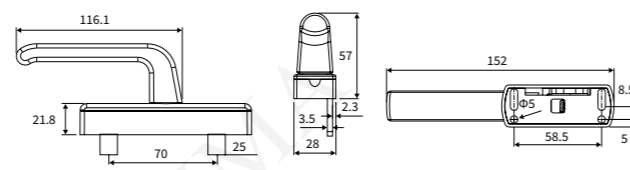
MP 832-SF Single Fork

Multipoint Euro Handle Without Screw Cover



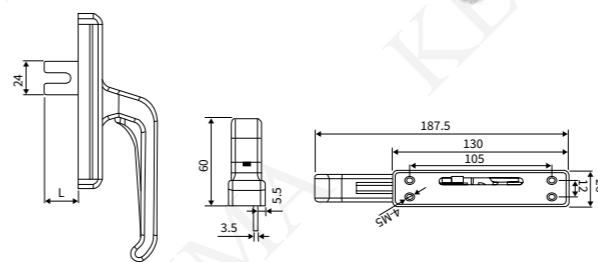
MP 832-DF Double Fork

Multipoint Euro Handle Without Screw Cover



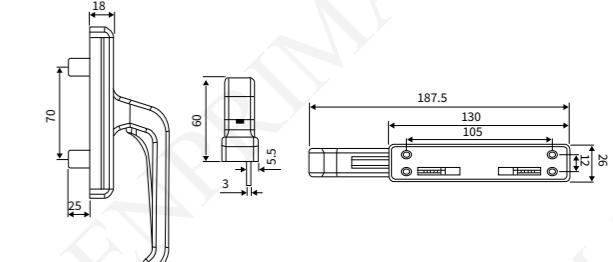
MP 842-SF C/ W Push Button

Single Fork Multipoint Euro Handle



MP842-DF C/W Push Button

Double Fork Multipoint Euro Handle



MODEL NO	FUNCTION	BRAND	MATERIAL	FINISHING	PACKING	(RM)/UNIT
MP 831-SF	Single Fork	PRIMA	Aluminium	White/Black	50pcs/ctn	RM 33.75
MP 831-DF	Double Fork	PRIMA	Aluminium	White/Black	50pcs/ctn	RM 33.75
MP 832-SF	Single Fork	PRIMA	Aluminium	White/Black	50pcs/ctn	RM 36.25
MP 832-DF	Double Fork	PRIMA	Aluminium	White/Black	50pcs/ctn	RM 36.25

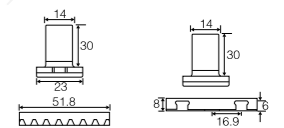
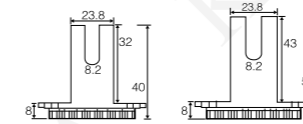
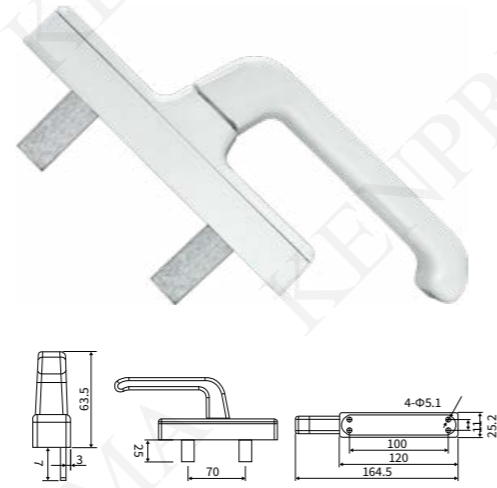
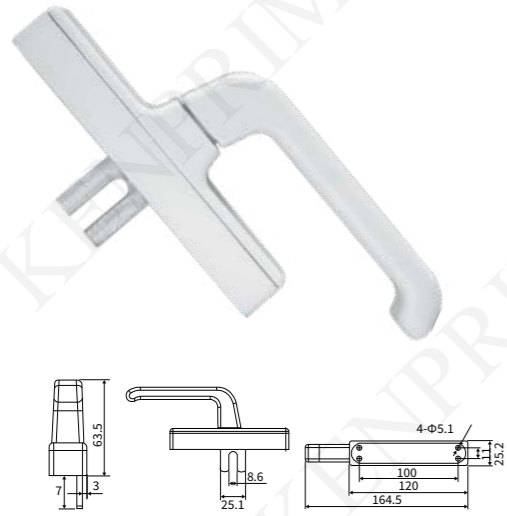
MODEL NO	FUNCTION	BRAND	MATERIAL	FINISHING	PACKING	(RM)/UNIT
MP 841-SF	Single Fork	PRIMA	Zinc	White/Black	40pcs/ctn	RM 65.00
MP 841-DF	Double Fork	PRIMA	Zinc	White/Black	40pcs/ctn	RM 65.00
MP 842-SF	Single Fork	PRIMA	Zinc	White/Black	40pcs/ctn	RM 66.00
MP 842-DF	Double Fork	PRIMA	Zinc	White/Black	40pcs/ctn	RM 66.00

MP851-SF Single Fork

MP851-DF Double Fork

MP802-SF

MP801-DF

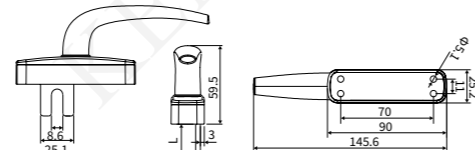
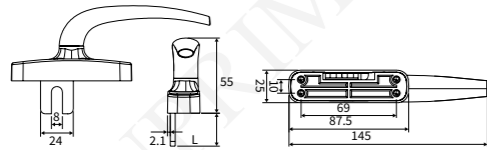


MP819-SF Single Fork

MP829-SF Single Fork

CV-819 Screw Cover

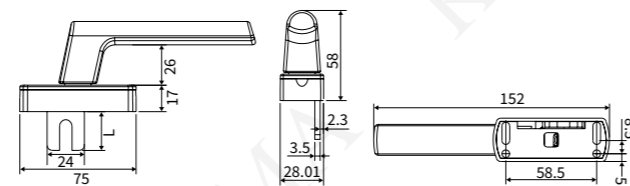
CV-816 Screw Cover



MP833-SF Single Fork

CVP Multipoint Handle Cover

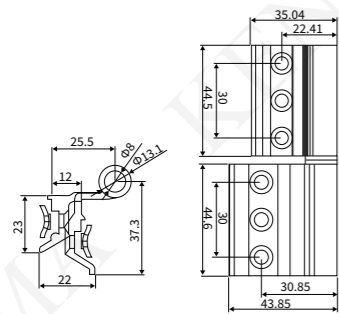
STP Stopper For Multipoint Handle



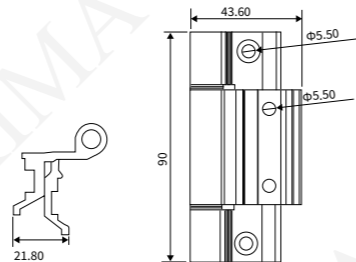
MODEL NO	FUNCTION	BRAND	MATERIAL	FINISHING	PACKING
MP 851-SF	Single Fork	PMA	Zinc	White/Black	50pcs/ctn
MP 851-DF	Double Fork	PMA	Zinc	White/Black	50pcs/ctn
MP 819-SF	Single Fork	PRIMA	Zinc/Aluminium	White/Black	50pcs/ctn
MP 829-SF	Single Fork	PRIMA	Aluminium	White/Black	50pcs/ctn
MP 833-SF	Single Fork	PRIMA	Zinc/Aluminium	White/Black	50pcs/ctn

MODEL NO	FUNCTION	BRAND	MATERIAL	FINISHING	PACKING
MP 801-DF	Single Fork	PMA	Zinc	MF	50pcs/box
MP 802-DF	Double Fork	PMA	Zinc	MF	50pcs/box
CV-819-SC	Single Fork	PRIMA	Plastic	White/Black	50pcs/box
CV-816-SC	Single Fork	PRIMA	Plastic	White/Black	50pcs/box
CVP-PLATE	Single Fork	PRIMA	Plastic	Black	50pcs/box

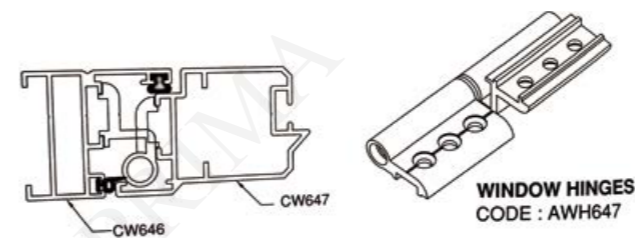
MP805 Euro hinge (exposed)



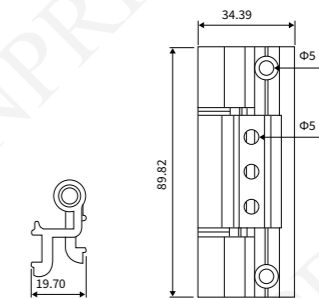
MP006-H heavy duty Euro hinge(exposed)



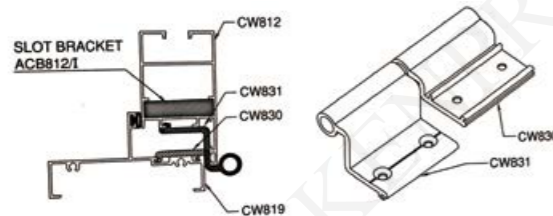
MP916 Euro hinge (concealed)



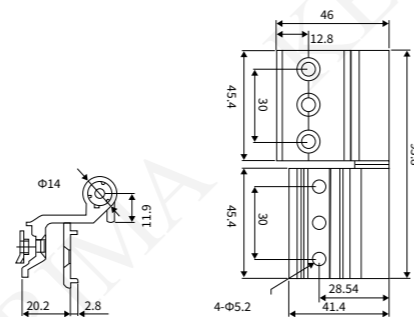
MP002-H Heavy duty Euro hinge(conceal)



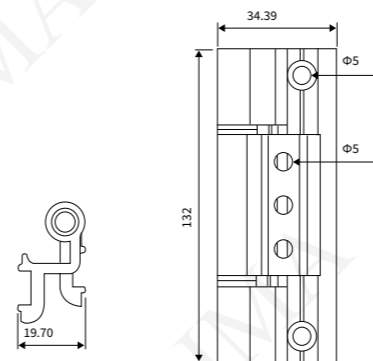
MP812 Multipoint Hinge For pmb(exposed)



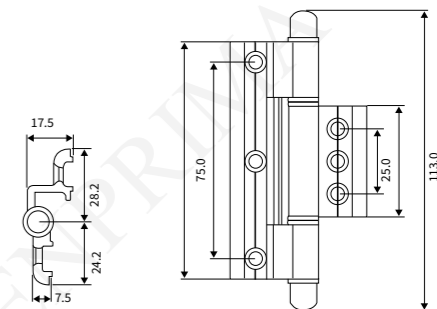
MP891 Multipoint Hinge For pmb (exposed)



MPH005FL



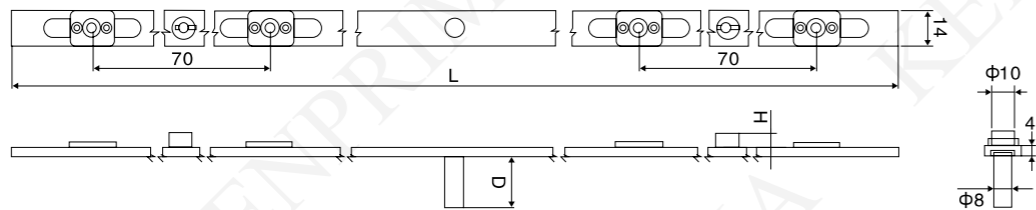
MPH005G Haevy Hinge For pmb(CONCEAL)



MODEL NO	FUNCTION	MATERIAL	FINISHING	PACKING	(RM)/UNIT
MPH-805	Exposed	Aluminium	White/Black	360pcs/box	RM 12.88
MPH-006	Exposed	Aluminium	White/Black	360pcs/box	RM 21.50
MPH-812	Exposed	Aluminium	White/Black	200pcs/box	RM 7.75
MPH-891	Exposed	Aluminium	White/Black	200pcs/box	RM 7.00

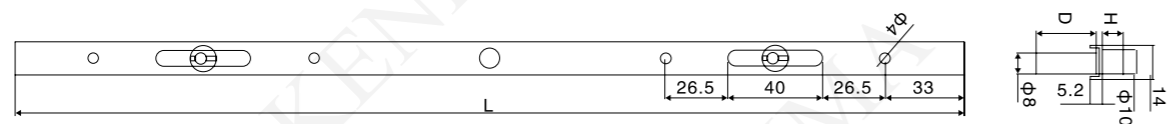
MODEL NO	FUNCTION	MATERIAL	FINISHING	PACKING	(RM)/UNIT
MPH-916	Conceal	Aluminium	White/Black	360pcs/box	RM 8.88
MPH-002-H	Conceal	Aluminium	White/Black	200pcs/box	RM 20.33
MPH-005-FL	Conceal	Aluminium	White/Black	150pcs/box	RM 32.00
MPH-005-G	Conceal	Aluminium	White/Black	200pcs/box	RM 19.50

Aluminium Flat Bar



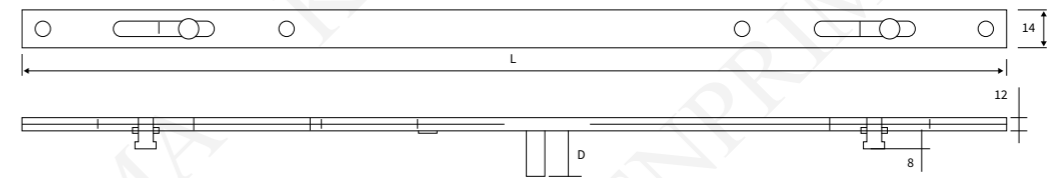
MODEL NO	SIZE	POINT	MATERIAL	FINISHING	PACKING	(RM)/UNIT
MP AB-300	300MM	2	Aluminium	MF	100pcs/ctn	RM 7.50
MP AB-600	600MM	2	Aluminium	MF	100pcs/ctn	RM 8.75
MP AB-900	900MM	2	Aluminium	MF	50pcs/ctn	RM 9.25
MP AB-1000	1000MM	2	Aluminium	MF	50pcs/ctn	RM 9.75
MP AB-1200	1200MM	2	Aluminium	MF	50pcs/ctn	RM 12.50
MP AB-1400	1400MM	3	Aluminium	MF	50pcs/ctn	RM 13.75
MP AB-1500	1500MM	3	Aluminium	MF	50pcs/ctn	RM 15.00

Stainless Steel Flat Bar



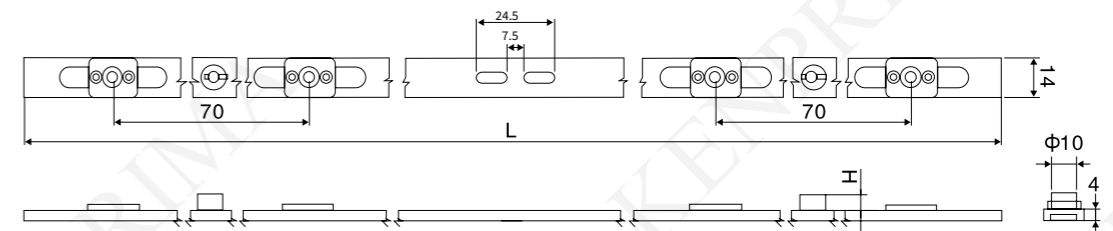
MODEL NO	SIZE	POINT	MATERIAL	FINISHING	PACKING	(RM)/UNIT
MP ABSS-300	300MM	2	SUS 304	SS	100pcs/ctn	RM 18.25
MP ABSS-600	600MM	2	SUS 304	SS	100pcs/ctn	RM 27.50
MP ABSS-1000	1000MM	2	SUS 304	SS	50pcs/ctn	RM 34.50
MP ABSS-1200	1200MM	2	SUS 304	SS	50pcs/ctn	RM 42.25
MP ABSS-1500	1500MM	3	SUS 304	SS	50pcs/ctn	RM 53.25

T-Head Stainless Steel Flat Bar



MODEL NO	SIZE	POINT	MATERIAL	FINISHING	PACKING	(RM)/UNIT
LM6-B-300	300MM	2	SUS 304	SS	100pcs/ctn	RM 18.25
LM6-B-600	600MM	2	SUS 304	SS	50pcs/ctn	RM 28.25
LM6-B-900	900MM	2	SUS 304	SS	50pcs/ctn	RM 33.75
LM6-B-1200	1200MM	2	SUS 304	SS	50pcs/ctn	RM 43.75
LM6-B-1200-3	1200MM	2	SUS 304	SS	50pcs/ctn	RM 45.00

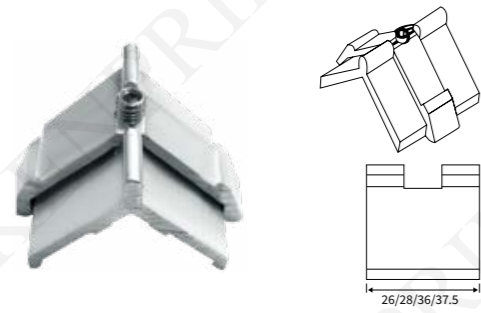
Curtain Wall Aluminium Flat Bar



MODEL NO	SIZE	POINT	MATERIAL	FINISHING	PACKING
CW-B-300	300MM	2	Aluminium	MF	100pcs/ctn
CW-B-600	600MM	2	Aluminium	MF	50pcs/ctn
CW-B-800	800MM	2	Aluminium	MF	50pcs/ctn

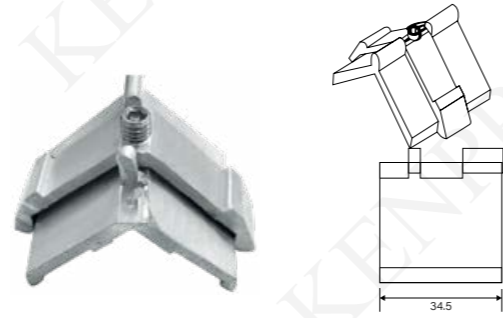
MP 911 A

Outer Corner Bracket:PMB



MP 911 B

Inner Corner Bracket:PMB



MP 94 Corner Bracket



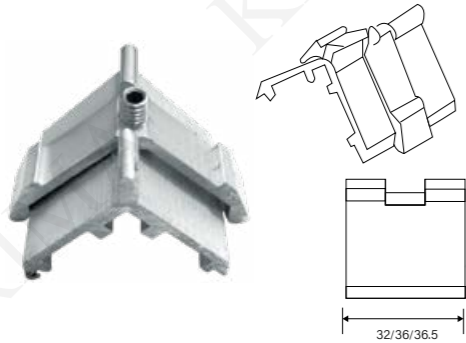
SW 007

Performent Sliding Window Bracket



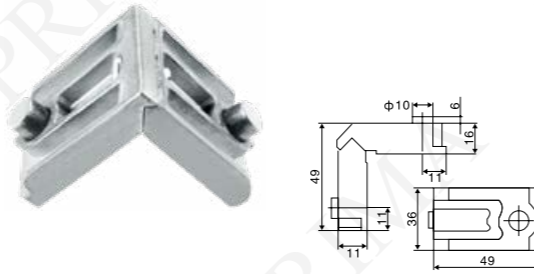
MP 911 C

Corner Bracket:LB

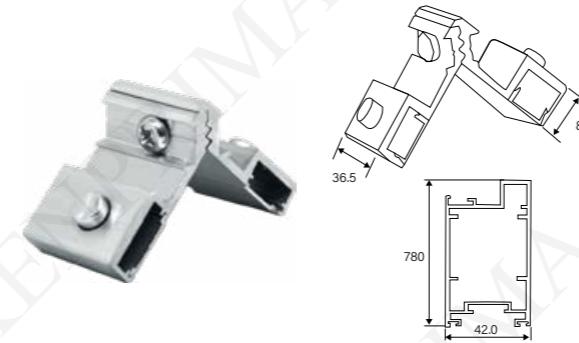


MP 803 (MP 90)

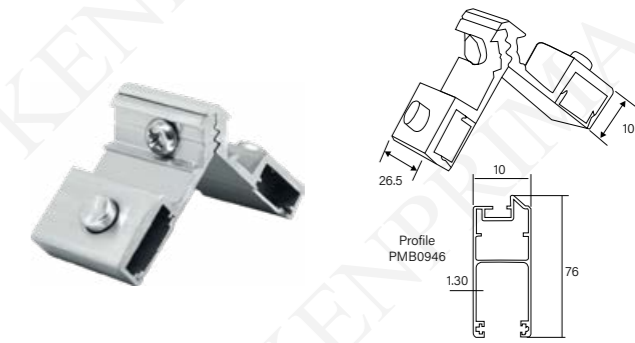
Corner Bracket:LB



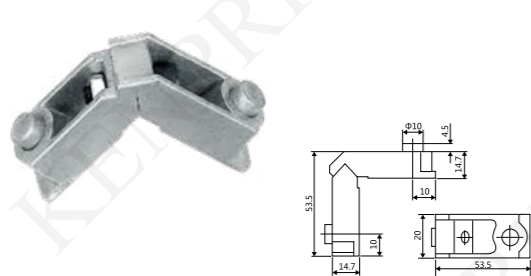
MP703-1036



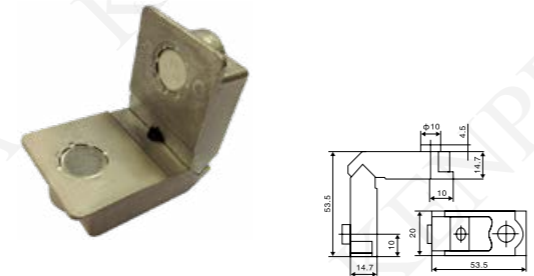
MP703-1026



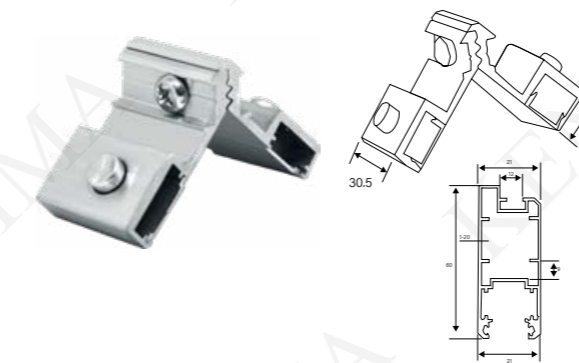
MP 93 Outer Corner Bracket:LB



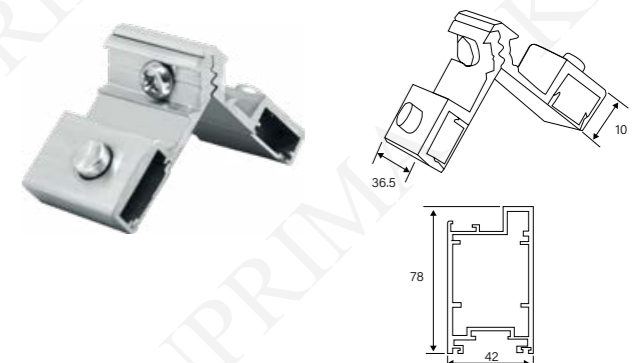
MP 92 Inner Corner Bracket



MP703-1030



MP703-0836

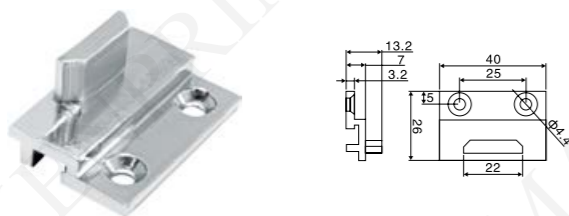


MODEL NO	SIZE	MATERIAL	FINISHING	PACKING	(RM)/UNIT
MP911-A	26MM	Aluminium	MF	1,000pcs/ctn	RM 2.00
	28MM	Aluminium	MF	1,000pcs/ctn	RM 2.00
	36MM	Aluminium	MF	1,000pcs/ctn	RM 2.00
	37.5MM	Aluminium	MF	1,000pcs/ctn	RM 2.00
MP911-B	34.5MM	Aluminium	MF	1,000pcs/ctn	RM 2.00
MP911-C	32MM	Aluminium	MF	1,000pcs/ctn	RM 2.00
	36MM	Aluminium	MF	1,000pcs/ctn	RM 2.00
	36.5MM	Aluminium	MF	1,000pcs/ctn	RM 2.00
MP803		Aluminium	NA	320pcs/ctn	RM 6.50
MP92		Aluminium	MF	256pcs/ctn	RM 7.25
MP93		Aluminium	MF	256pcs/ctn	RM 6.50

MODEL NO	SIZE	MATERIAL	FINISHING	PACKING	(RM)/UNIT
MP94		Aluminium	MF	1,000pcs/ctn	RM 5.45
SW007		Aluminium	MF	1,000pcs/ctn	RM 6.50
MP703-1036	T:10 W:36.5	Aluminium	MF	1,000pcs/ctn	RM 6.50
MP703-1026	T:10 W:26.5	Aluminium	MF	1,000pcs/ctn	RM 6.50
MP703-1030	T:10 W:30.5	Aluminium	MF	1,000pcs/ctn	RM 6.50
MP703-0836	T:8 W:36.5	Aluminium	MF	1,000pcs/ctn	RM 6.50

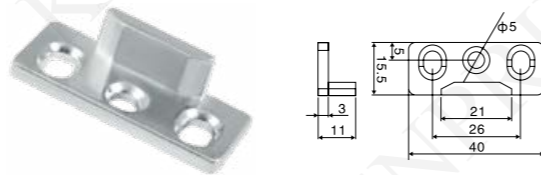
MP 804

Catches
Size : 6mm/10mm



MP 806

Catches
Size : 11mm



MP 808

Push Rod
Size : 22/25/30/40mm



MP 811

Push Rod
Size : 30mm



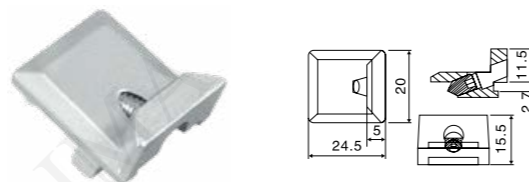
MP 806 SS

Stainless Steel Catches
Size : 9/11/14/16mm



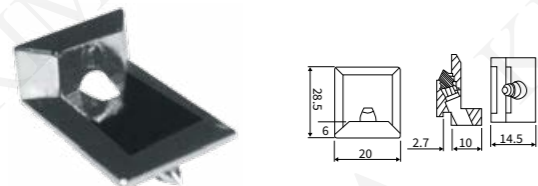
MP 111

Catches



MP 112

Catches



MP 113

Catches



MP 807

Lock Cam
Size : 10/12/14/16mm



MP 114

Lock Cam
Size : 8.5mm



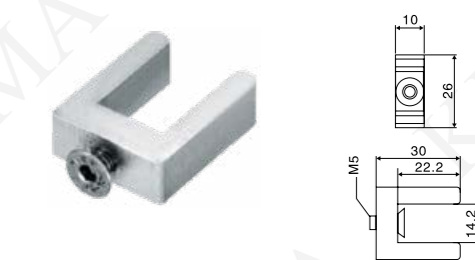
MP 815

End Transmission
Size : 6/8.5/10mm



MP 809

U Slide Gear



MP 5930

Catches (Exposed)



MP 5931

Catches (Conceal)

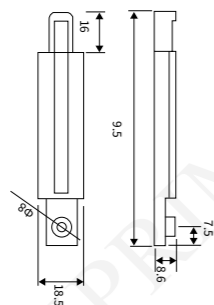


MODEL NO	SIZE	MATERIAL	FINISHING	PACKING	(RM)/UNIT
MP804-6	6MM	Aluminium	MF	1,000pcs/ctn	RM 2.95
MP804-10	10MM	Aluminium	MF	1,000pcs/ctn	RM 3.05
MP806	11MM	Zinc	MF	1,000pcs/ctn	RM 2.00
MP806SS-9	9MM	SUS 304	SS	1,000pcs/ctn	RM 1.90
MP806SS-11	11MM	SUS 304	SS	1,000pcs/ctn	RM 1.90
MP806SS-14	14MM	SUS 304	SS	1,000pcs/ctn	RM 2.06
MP806SS-16	16MM	SUS 304	SS	1,000pcs/ctn	RM 2.76
MP111	11MM	Zinc	SS	1,000pcs/ctn	RM 4.00
MP112	14MM	Zinc	SS	1,000pcs/ctn	RM 4.00
MP113	16MM	Zinc	SS	1,000pcs/ctn	RM 4.00
MP5930		Aluminium	SS	1,000pcs/ctn	RM 2.63
MP5931		Aluminium	SS	1,000pcs/ctn	RM 2.63

MODEL NO	SIZE	MATERIAL	FINISHING	PACKING	(RM)/UNIT
MP808-22	22MM	SUS 304	SS	1,000pcs/ctn	RM 2.50
MP808-25	25MM	SUS 304	SS	1,000pcs/ctn	RM 2.50
MP808-30	30MM	SUS 304	SS	1,000pcs/ctn	RM 2.50
MP808-40	40MM	SUS 304	SS	1,000pcs/ctn	RM 3.26
MP811		SUS 304	SS	1,000pcs/ctn	RM 5.25
MP807-10	10MM	SUS 304	SS	1,000pcs/ctn	RM 2.13
MP807-12	12MM	SUS 304	SS	1,000pcs/ctn	RM 2.13
MP807-14	14MM	SUS 304	SS	1,000pcs/ctn	RM 2.95
MP807-16	16MM	SUS 304	SS	1,000pcs/ctn	RM 3.45
MP114	8.5MM	SUS 304	SS	1,000pcs/ctn	RM 3.38
MP815-10	10MM	SUS 304	SS	1,000pcs/ctn	RM 4.50
MP809		Aluminium	MF	1,000pcs/ctn	RM 3.50

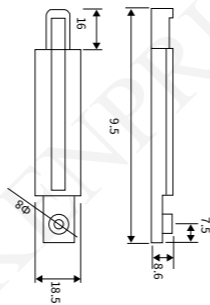
MP915

Latch Bolt
Color : Black / White



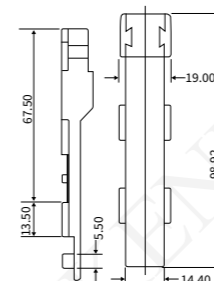
MP915-S

Latch Bolt
Color : S/S



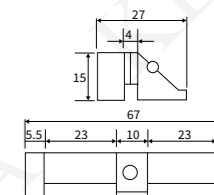
MFH008

Latch Bolt
Color : Black / White



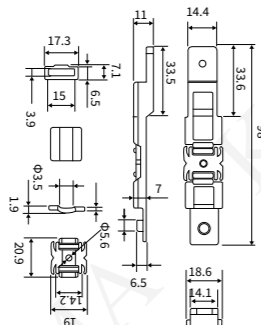
MP914

Latch Stopper
Color : Black / White



MP 78

Latch Bolt
Color : Black / White



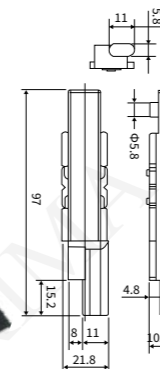
MP960-S

Latch Bolt
Color : Black / White



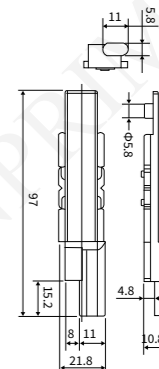
MP860

Latch Bolt
Color : Black / White



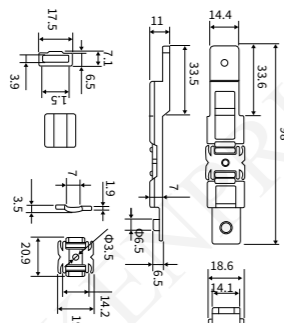
MP860-SS

Latch Bolt
Color : S / S



MFH007

Conceal Latch Bolt
Color : S / S



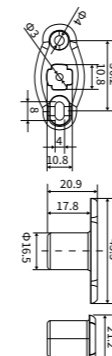
MP918-SS

Latch Bolt
Color : Black / White



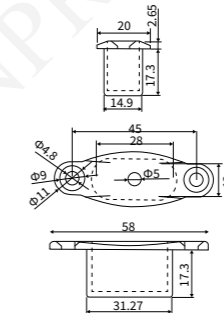
MP861

Latch Bolt (Center)
Color : Black / White



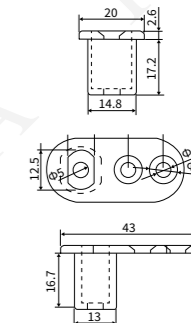
MP862

Latch Bolt (Double)
Color : Black / White



MP863

Latch Bolt (Single Side)
Color : Black / White



MODEL NO	MATERIAL	FINISHING	PACKING	(RM)/UNIT
MP915	PVC+SS	White/Black	1,000pcs/ctn	RM 4.25
MP915-S/S	SUS 304	SS	1,000pcs/ctn	RM 21.00
MP78	Zinc	White/Black	1,000pcs/ctn	RM 5.50
MP960-S	Zinc	White/Black	1,000pcs/ctn	RM 21.00
MFH007	SUS 304	SS	1,000pcs/ctn	RM 21.00
MP918	SUS 304	SS	1,000pcs/ctn	RM 23.60

MODEL NO	MATERIAL	FINISHING	PACKING	(RM)/UNIT
MFH008	Zinc	White/Black	1,000pcs/ctn	RM 11.20
MP914	PVC	White/Black	1,000pcs/ctn	RM 2.75
MP860-RL	Zinc	White/Black	1,000pcs/ctn	RM 5.00
MP860-SS	SUS 304	SS	1,000pcs/ctn	RM 18.35
MP861	Zinc	White/Black	1,000pcs/ctn	RM 5.00
MP862	Zinc	White/Black	1,000pcs/ctn	RM 6.50
MP863	Zinc	White/Black	1,000pcs/ctn	RM 5.50

TYPICAL HARDWARE ARRANGEMENT

The accessories listed herein are standard parts for the FD 55 series hang & fold door.
For technical support and assistance in the selection of these accessories for your particular need, please contact our sales personnel.



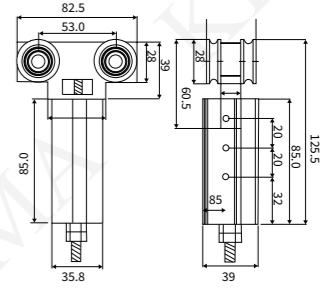
MFH84B(8HD)

Heavy Top Roller set with 8 brass Wheels



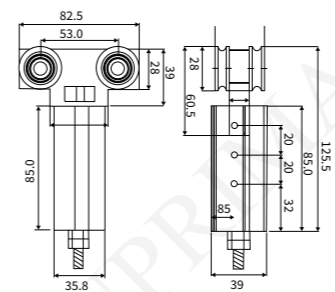
MFH84(HD)

Top Roller set with 4 Brass Wheels



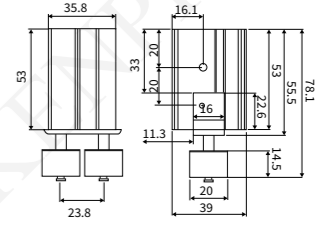
MFH84(LD)

Top Roller set with 4 Nylon Wheels

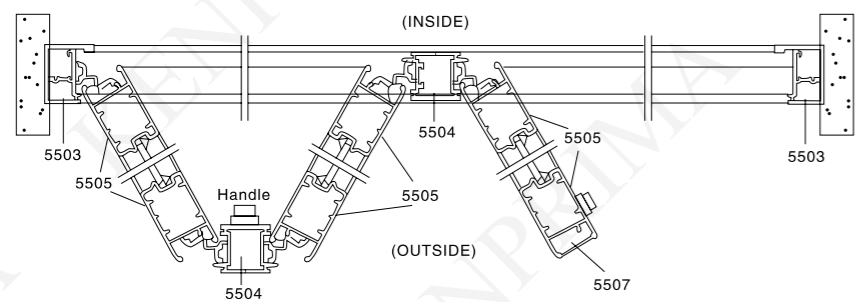


MFH85BG

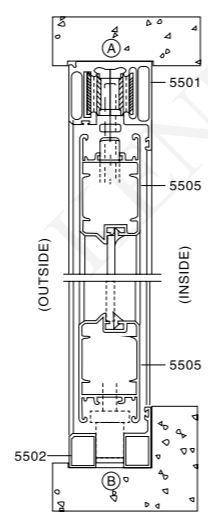
Bottom Guide set with Bearing Roller



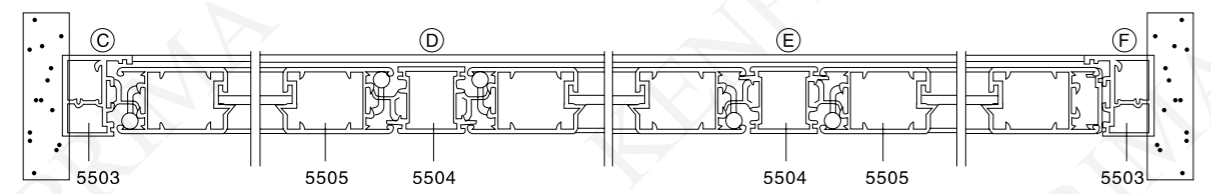
Horizontal Sectional Detail (with door closed)



Vertical Sectional Views

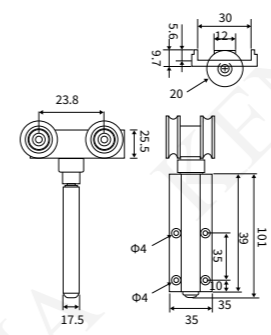


Recommendation for door size & weight



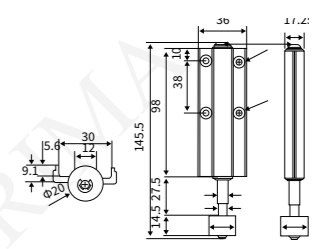
MFH84LD-SIDE

Side Top Roller set with 4 Nylon Wheels



MFH85BG-SIDE

Side Bottom Guide set with Single Bearing Roller



MODEL NO	MATERIAL	FINISHING	PACKING	(RM)/UNIT
MFH84B(8HD)	Zinc/Brass Roller	MF	50pcs/ctn	RM 350.00
MFH84HD	Zinc/Brass Roller	MF	50pcs/ctn	RM 237.50
MFH84LD	Zinc/Nylon Roller	MF	50pcs/ctn	RM 200.00
MFH85BG	Zinc	MF	50pcs/ctn	RM 75.00
MFH84LD-S	Zinc	MF	50pcs/ctn	RM 175.00
MFH85BG-S	Zinc	MF	50pcs/ctn	RM 45.00

T008

T29

M028

Cylinder Cover Cylinder

M2828 Folding Lockset



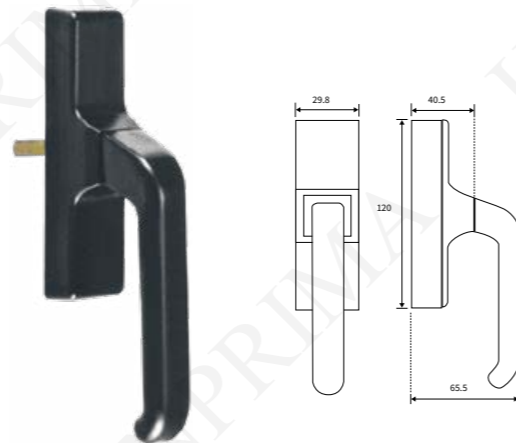
LH-14

Level Handle Without Key



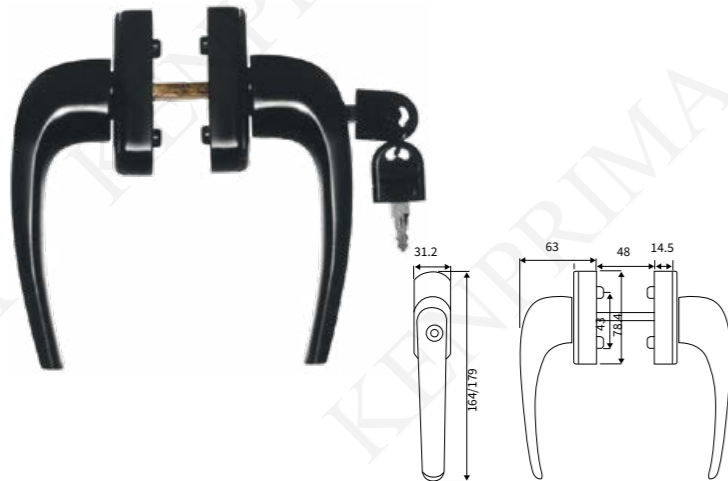
MDH-70

Level Handle With Latch



LH-15

Level Handle With Key



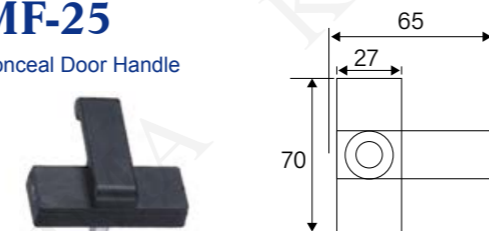
MF-24

Conceal Door Handle

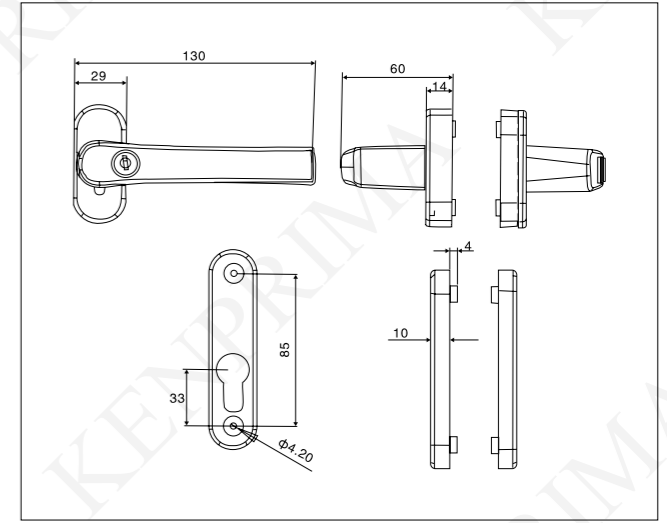
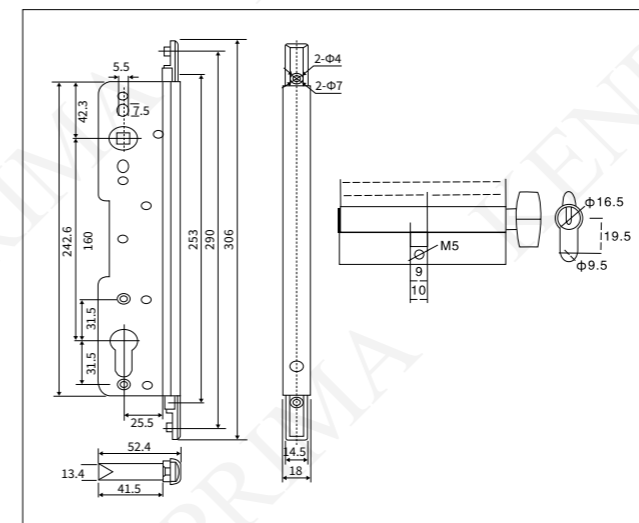


MF-25

Conceal Door Handle



Multi Folding Lockset c/w handle (w/o) key & Cylinder
Finish : White / Black Material : Zinc Alloy



MODEL NO	MATERIAL	FINISHING	PACKING	(RM)/UNIT
LH-14	Zinc	White/Black	20set/ctn	RM 72.00
LH-15	Zinc	White/Black	20set/ctn	RM 91.50
MDH-70	Zinc	White/Black	20set/ctn	RM 52.88
MF-24	Zinc	White/Black	50PCS/CTN	RM 51.20
MF-25	Zinc	White/Black	50PCS/CTN	RM 51.20

MODEL NO	MATERIAL	FINISHING	PACKING	(RM)/UNIT
M2828-CS	Zinc	White/Black	20set/ctn	RM 263.25
M028-Mortise	Zinc	White/Black	20set/ctn	RM 112.50

The FD88 Multi Folding Door system is designed as a flexible door access with superior performance, functionality and aesthetics.

Architectural grade alloy 6063-T5 aluminium extrusions are used to fabricate the aluminium frames thus being able to incorporate various finishing options such as wood grain finishes.

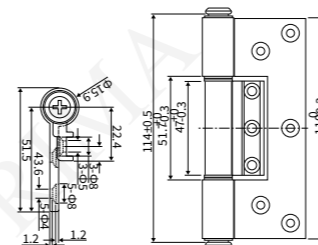
The roller assemblies are fabricated from either plated brass or special nylon with bearings. These assemblies fit to a stainless steel carriage system with a strong and durable design. A uniquely-designed lock pin is mounted to the top roller shaft prevents the carriage from becoming loose.

Please contact our sales personnel should you require any assistance in selecting and purchasing the accessories that meet your specific needs.



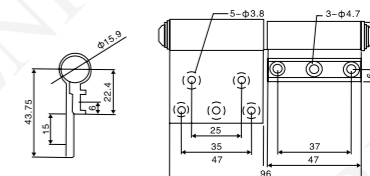
MFH81-D

Heavy Duty Side Hinge

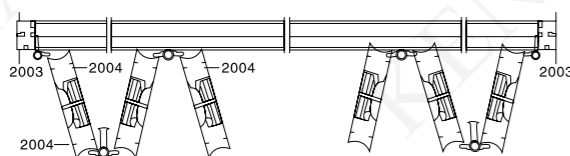


MFH81-(R / L)

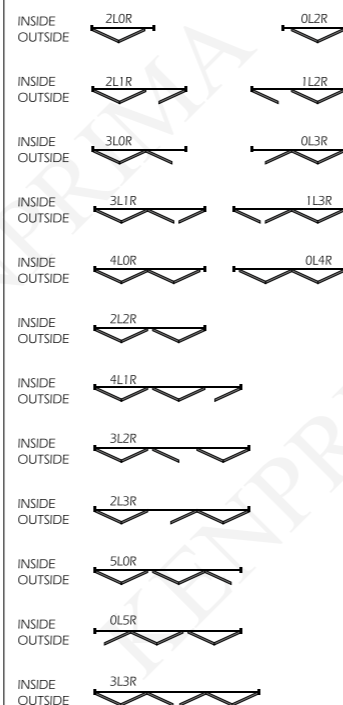
Side Hinge(R / L)



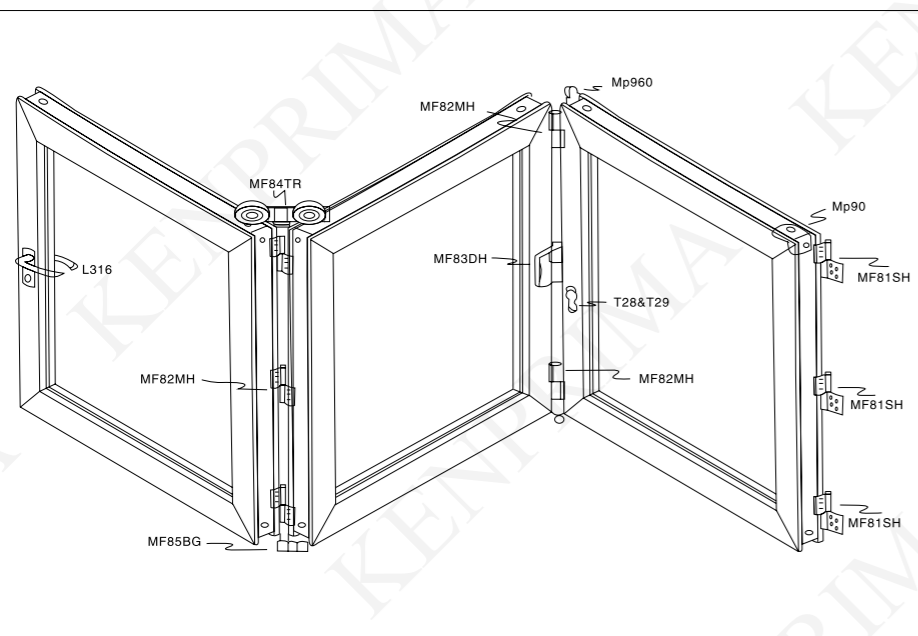
HORIZONTAL SECTIONAL DETAIL (WITH DOOR OPENED)



HANG & FOLD DOOR CONFIGURATIONS

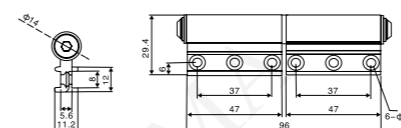


NOTE: Other door configurations and options are available on request



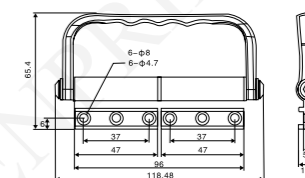
MFH82

Mid Hinge



MFH83

D-Hinge



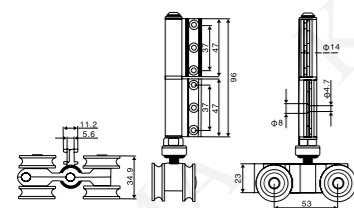
OPPR HEIGHT	WIDTH	WEIGHT/KG
7' 0" (2100MM)	3' 0" (990MM)	<80KG
8' 0" (2400MM)	3' 0" (910MM)	<85KG
9' 0" (2700MM)	2' 3" (680MM)	<90KG

NOTE: The specifications above should be taken as a guide design only. For the best solutions and door sizes configuration, kindly consult our sales personnel

MODEL NO	MATERIAL	FINISHING	PACKING	(RM)/UNIT
MFH81-D	Zinc	White/Black	100pcs/box	RM 25.00
MFH81-R/L	Zinc	White/Black	100pcs/box	RM 21.25
MFH82-R/L	Zinc	White/Black	100pcs/box	RM 18.75
MFH83-DH	Zinc	White/Black	50pcs/box	RM 26.25

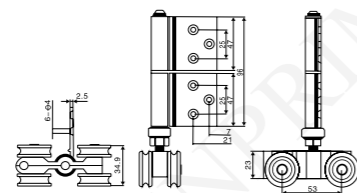
MFH84-S

Top Roller



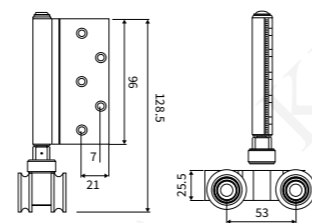
MFH84-B

Top Roller(Exposed)



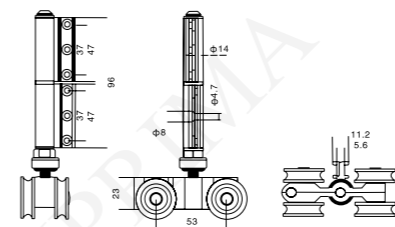
MFH84-FB Flat

Top Roller(Exposed)



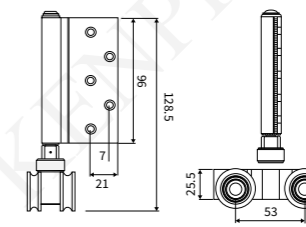
MFH74-S-BRASS

Top Roller (Brass) - 4 Roller



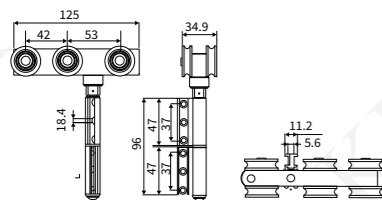
MFH74-FB-BRASS

Top Roller (Brass) - 4 Roller



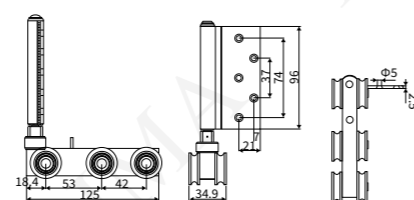
MFH84-S-6-NY

Top Roller (Nylon) - 6 Roller



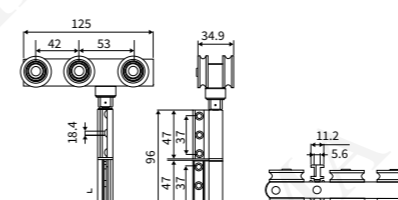
MFH84-FB-6-NY

Top Roller (Nylon) - 6 Roller



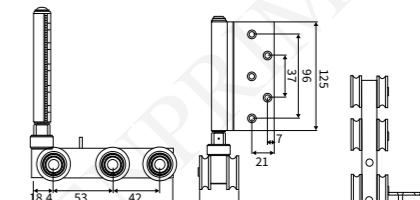
MFH74-S-6-BRASS

Top Roller (Brass) - 6 Roller



MFH74-FB-6-BRASS

Top Roller (Brass) - 6 Roller

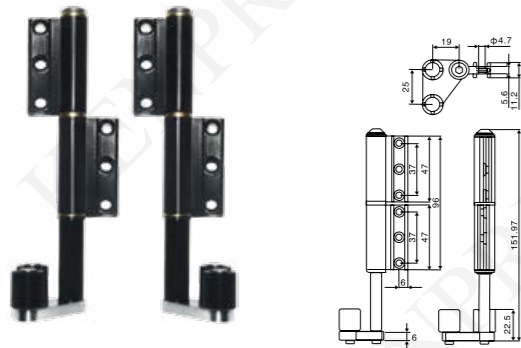


MODEL NO	MATERIAL	FINISHING	PACKING	(RM)/UNIT
MFH84-S	Zinc	White/Black	50pcs/box	RM 116.25
MFH84-B	Zinc	White/Black	50pcs/box	RM 116.25
MFH84-FB	Zinc	White/Black	50pcs/box	RM 116.25
MFH84-S-6-NY	Zinc	White/Black	50pcs/box	RM 172.50

MODEL NO	MATERIAL	FINISHING	PACKING	(RM)/UNIT
MFH74-S-BRASS	Zinc/Brass	White/Black	50pcs/box	RM 175.00
MFH74-FB-BRASS	Zinc/Brass	White/Black	50pcs/box	RM 175.00
MFH74-S-6-BRASS	Zinc/Brass	White/Black	50pcs/box	RM 225.00
MFH74-FB-6-BRASS	Zinc/Brass	White/Black	50pcs/box	RM 225.00

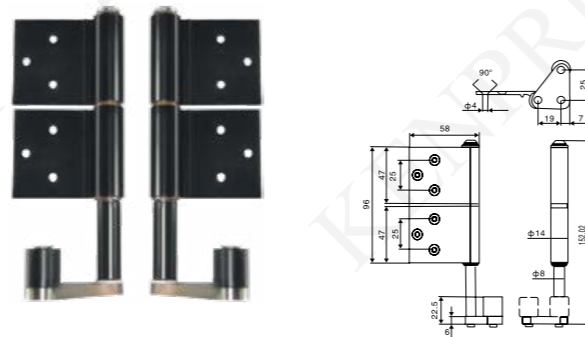
MFH85-S-R / L

Bottom Guide(R/L)



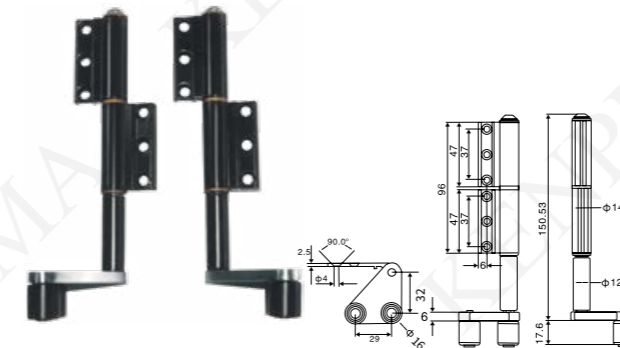
MFH85-B(R / L)

Bottom Guide(R / L)



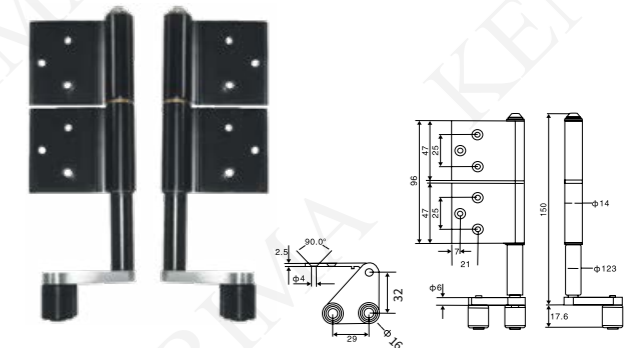
MFH87-S(R / L)

Bottom Guide(R / L)



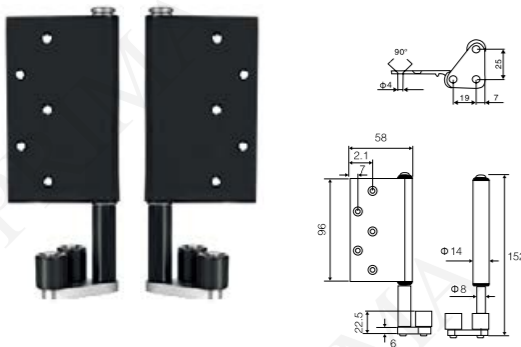
MFH87-B(R / L)

Bottom Guide(R / L)



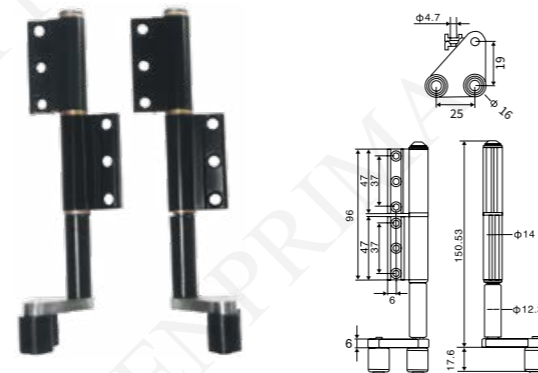
MFH75-FB(R / L)

Bottom Guide(R / L)



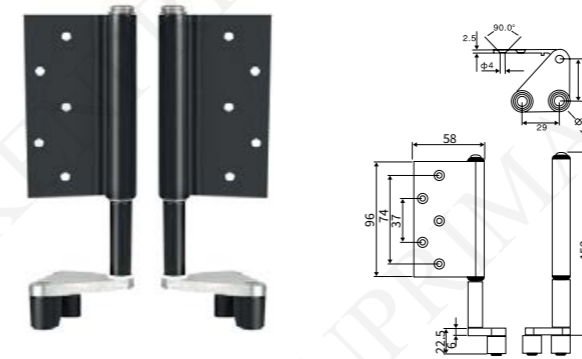
MFH86-S(R / L)

Bottom Guide(R / L)



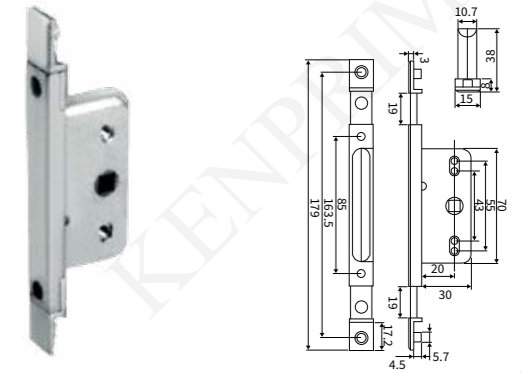
MFH77-FB(R / L)

Bottom Guide(R / L)



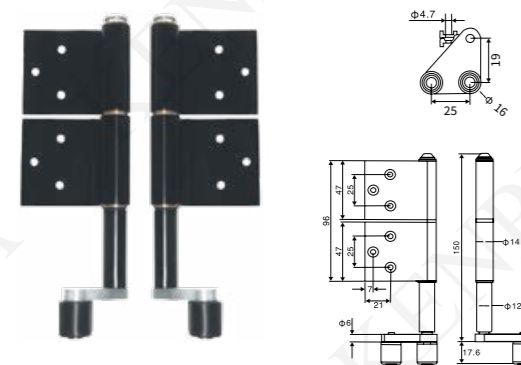
T29

Lock Case



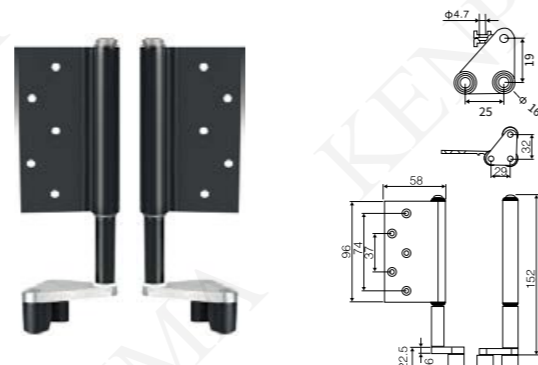
MFH86-B(R / L)

Bottom Guide(R / L)



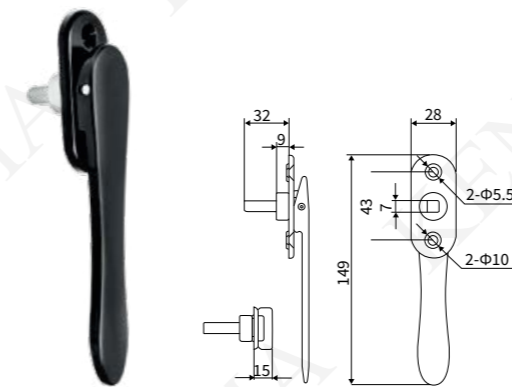
MFH76-FB(R / L)

Bottom Guide(R / L)



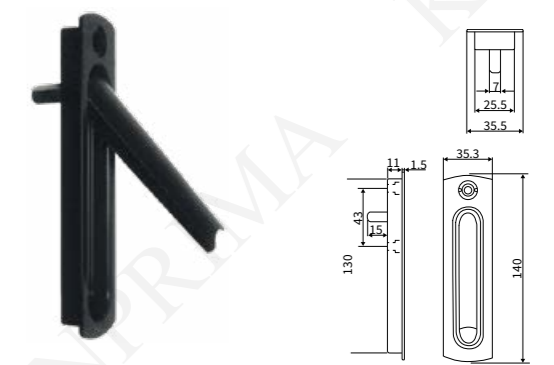
T-28

Folding Door Handle(Round)



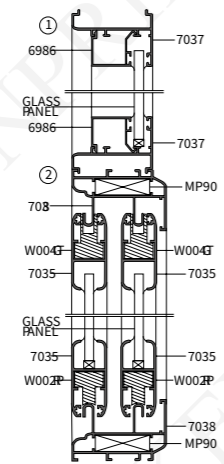
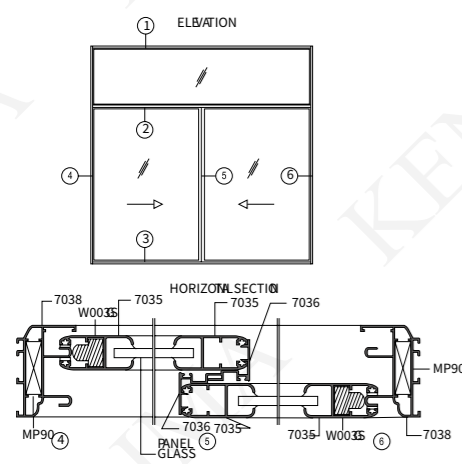
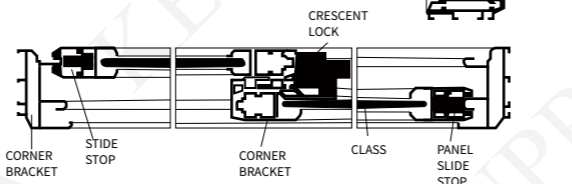
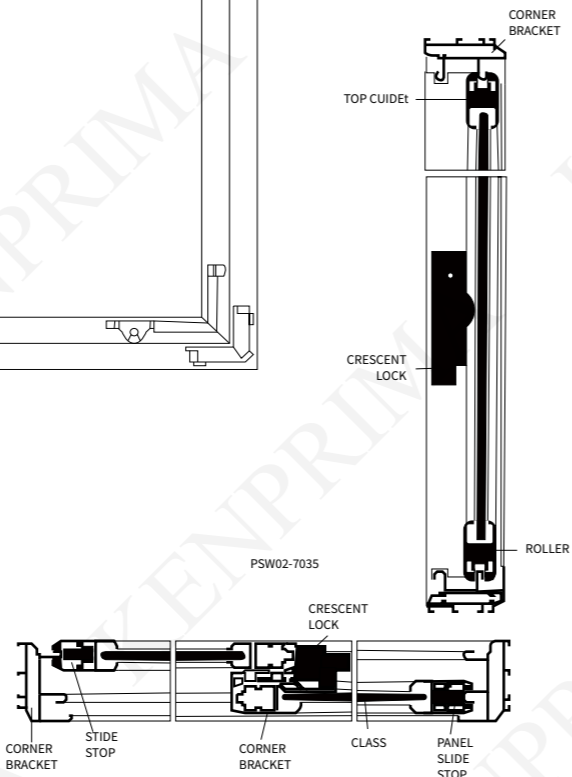
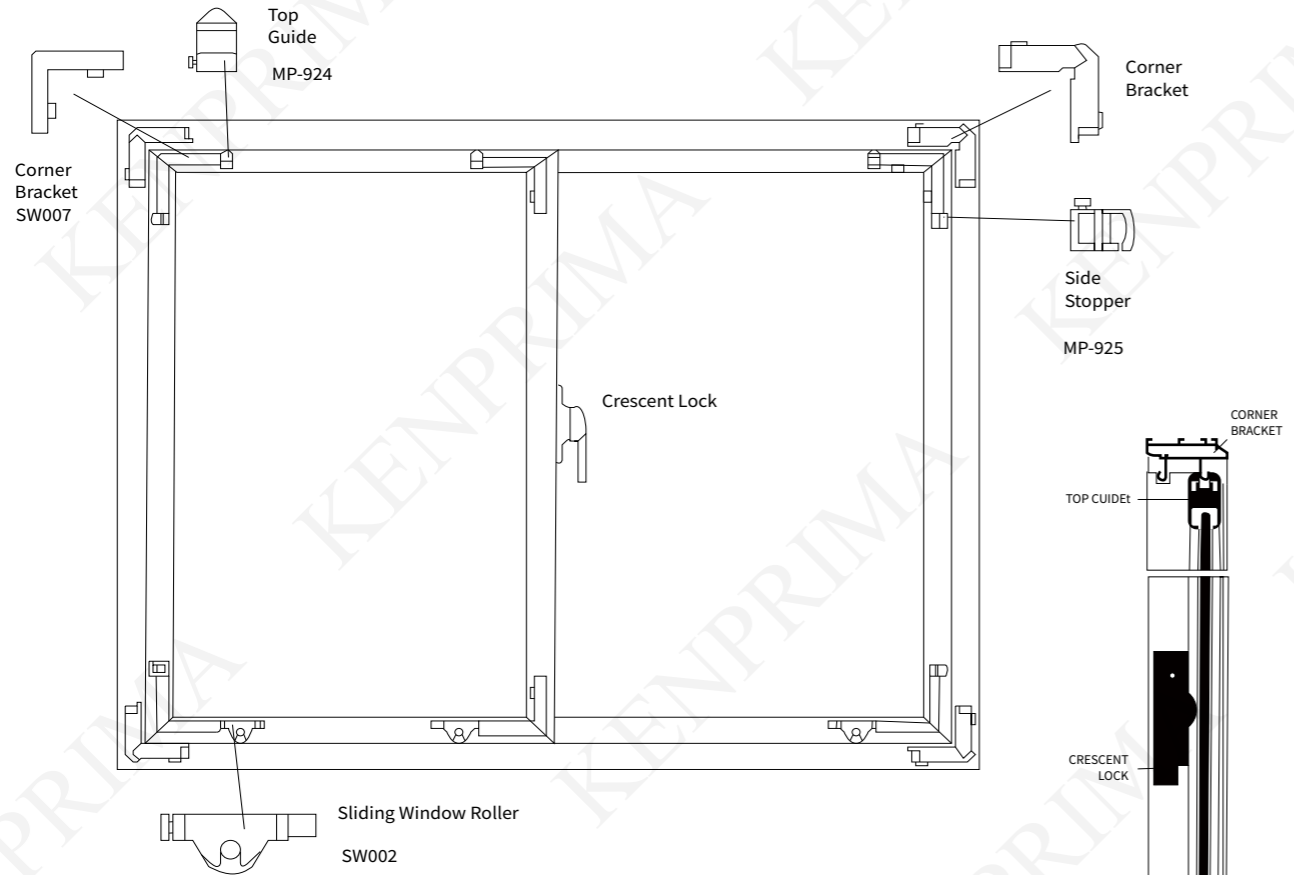
T-31

Folding Door Handle Conceal



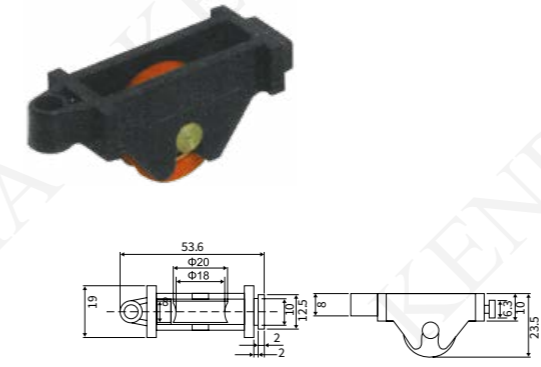
MODEL NO	MATERIAL	FINISHING	PACKING	(RM)/UNIT
MFH85-S-R/L	Zinc	White/Black	50pcs/ctn	RM 52.50
MFH85-B-R/L	Zinc	White/Black	50pcs/ctn	RM 52.50
MFH75-FB-R/L	Zinc	White/Black	50pcs/ctn	RM 52.50
MFH86-S-R/L	Zinc	White/Black	50pcs/ctn	RM 52.50
MFH86-B-R/L	Zinc	White/Black	500pcs/ctn	RM 52.50
MFH76-FB-R/L	Zinc	White/Black	50pcs/ctn	RM 52.50

MODEL NO	MATERIAL	FINISHING	PACKING	(RM)/UNIT
MFH87-S-R/L	Zinc	White/Black	50pcs/ctn	RM 52.50
MFH87-B-R/L	Zinc	White/Black	50pcs/ctn	RM 52.50
MFH77-FB-R/L	Zinc	White/Black	50pcs/ctn	RM 52.50
MF-T29	Zinc	MF	200pcs/ctn	RM 22.50
MF-T28	Zinc	White/Black	200pcs/ctn	RM 20.00
MF-T31	Zinc	White/Black	100pcs/ctn	RM 38.38



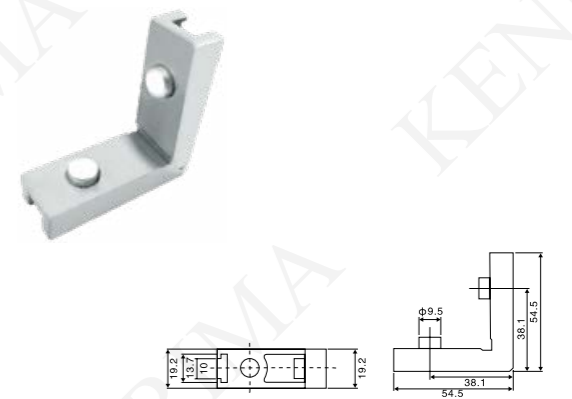
SL 002W

Sliding Window Roller-LB(25kg)



SW 007

Performance Sliding Window Inner Corner Bracket : LB



MP924

Top Guide



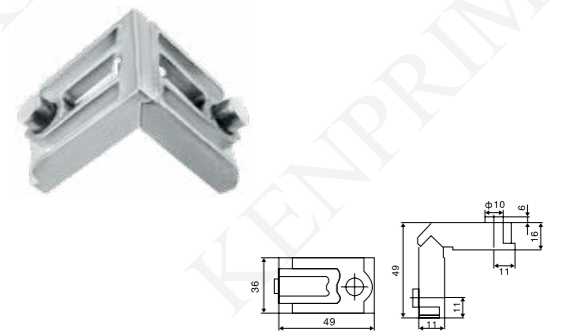
MP925

Side Stopper



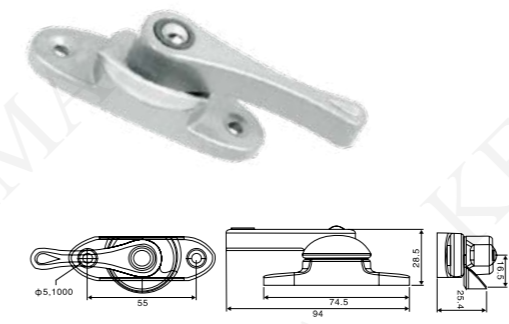
MP 803(MP 90)

Inner and Outer Corner Bracket : LB



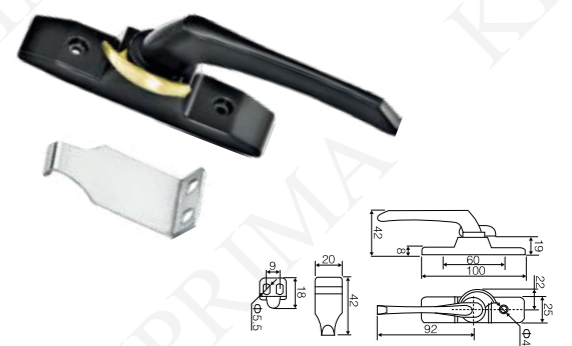
CF360

Crescent Fastener



CF370

Crescent Fastener



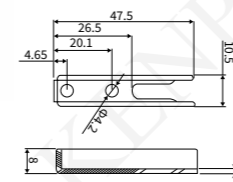
MODEL NO	MATERIAL	FINISHING	PACKING	(RM)/UNIT
SL-002-W	Nylon	White	1000pcs/ctn	RM 3.45
SW-007	Aluminium	MF	640pcs/ctn	RM 5.45
MP924	Nylon	White	1000pcs/ctn	RM 0.88
MP925	Nylon	White	1000pcs/ctn	RM 0.88
MP803	Aluminium	MF	320pcs/ctn	RM 6.50
CF360	Aluminium	MF/White/Black	200pcs/ctn	RM 5.38
CF370	Zinc	White/Black	200pcs/ctn	RM 14.83



SLIDING DOOR ACCESSORIES SERIES

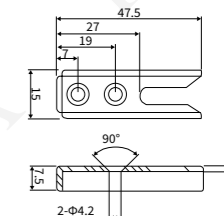
MP-122A Sliding Door Striker

Height : 8mm



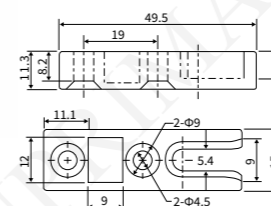
MP-122B Sliding Door Striker

Height : 7.5mm



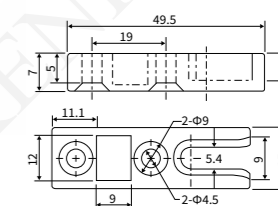
MP-122C Sliding Door Striker

Height : 11.3mm



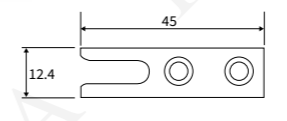
MP-122D Sliding Door Striker

Height : 7mm



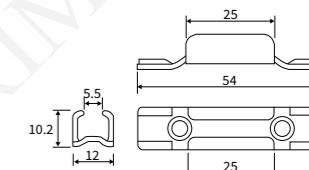
MP-122E Sliding Door Striker

Height : 5mm



MP-132 Sliding Door Keeper

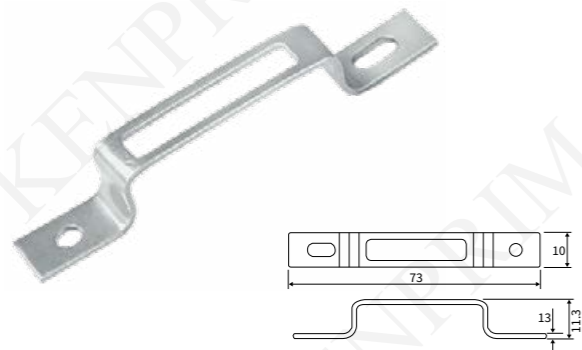
Height : 16x45mm



MODEL NO	MATERIAL	FINISHING	PACKING	(RM)/UNIT
MP-122A	S/S	SS	100pcs/ctn	RM 5.00
MP-122B	S/S	SS	100pcs/ctn	RM 5.00
MP-122C	S/S	SS	100pcs/ctn	RM 5.00
MP-122D	S/S	SS	100pcs/ctn	RM 5.00
MP-122E	S/S	SS	100pcs/ctn	RM 5.00
MP-132	S/S	SS	100pcs/ctn	RM 4.50

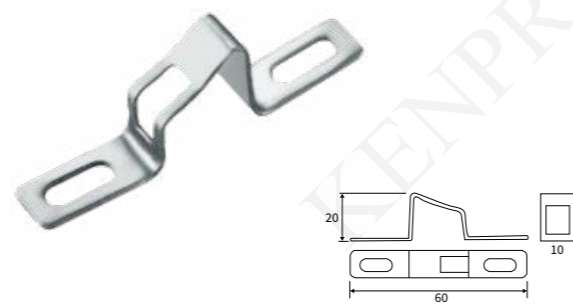
MP-132 Sliding Door Keeper

Material : Stainless Steel 202



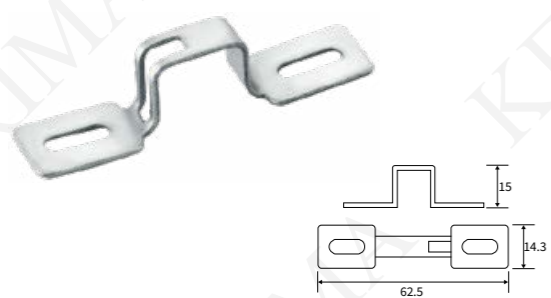
MP-133 Sliding Door Keeper

Height : 10mm



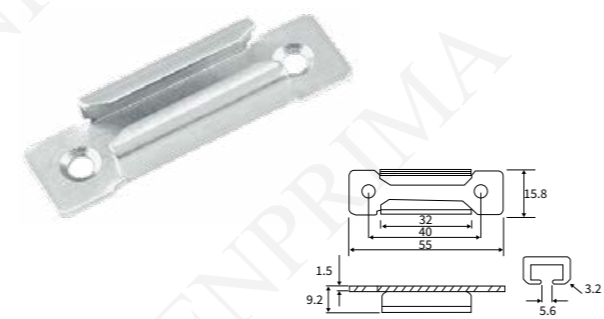
MP-134 Sliding Door Keeper

Material : Stainless Steel SUS 304



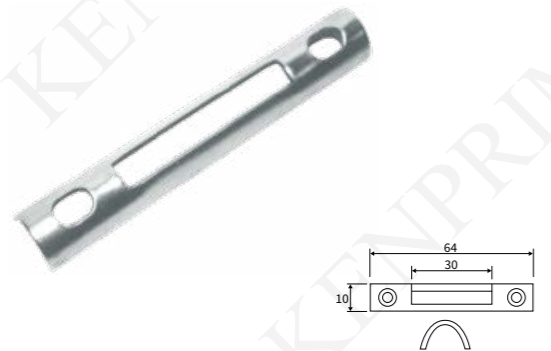
MP-138 Sliding Door Striker

Height : 7.5mm



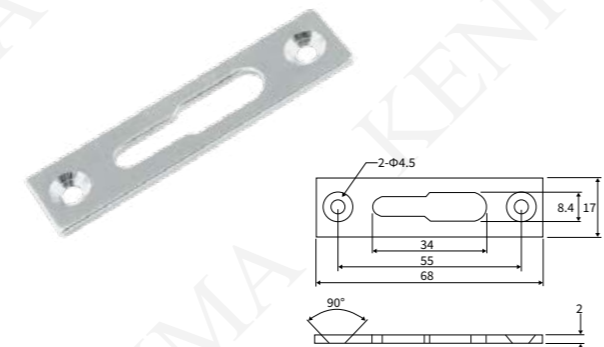
MP-123 Sliding Door Keeper

Material : Stainless Steel 202



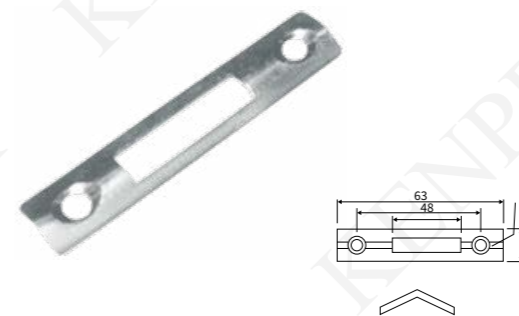
MP-126 Sliding Door Keeper

Material : Stainless Steel 202



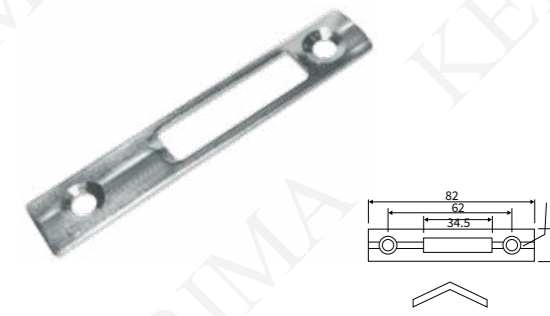
MP-128A Sliding Door Keeper

Size : 11.5mm(W)x62mm(L)x2mm(T)



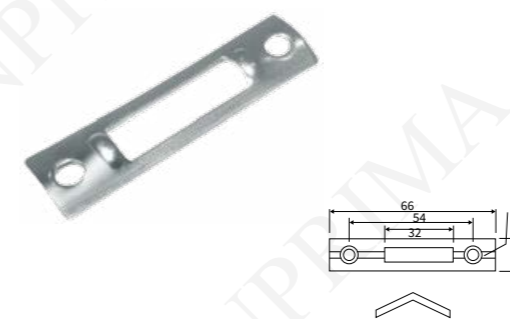
MP-128B Sliding Door Keeper

Size : 14mm(W)x66mm(L)x2mm(T)



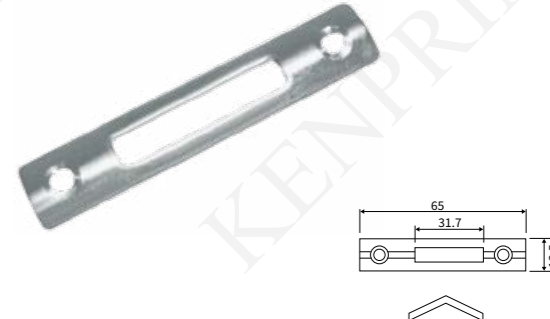
MP-128C Sliding Door Keeper

Size : 16mm(W)x66mm(L)x2mm(T)



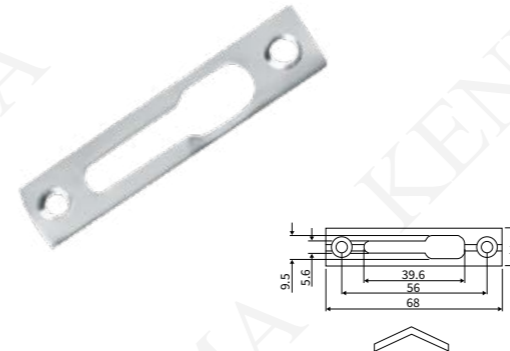
MP-128D Sliding Door Keeper

Size : 16mm(W)x66mm(L)x2mm(T)



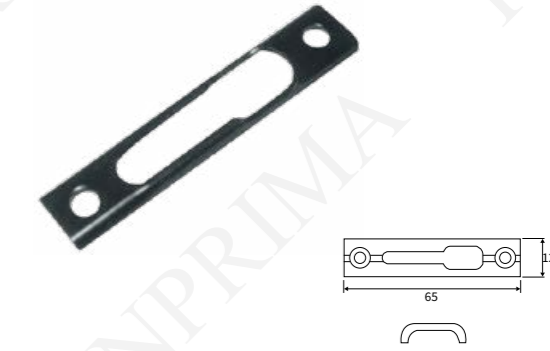
MP-131 Sliding Door Keeper

Size : 15mm



MP-142 Sliding Door Keeper

Size : 12.5mm

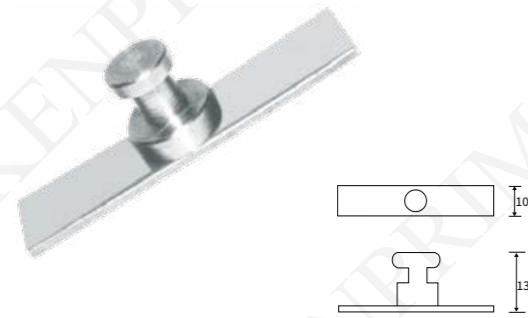


MODEL NO	MATERIAL	FINISHING	PACKING	(RM)/UNIT
MP-132	S/S	SS	200pcs/ctn	RM 3.00
MP-133	S/S	SS	200pcs/ctn	RM 3.00
MP-134	S/S	SS	200pcs/ctn	RM 3.00
MP-138	S/S	SS	200pcs/ctn	RM 4.50
MP-123	S/S	SS	200pcs/ctn	RM 3.00
MP-126	S/S	SS	200pcs/ctn	RM 3.00

MODEL NO	MATERIAL	FINISHING	PACKING	(RM)/UNIT
MP-128A	S/S	SS	200pcs/ctn	RM 3.00
MP-128B	S/S	SS	200pcs/ctn	RM 3.00
MP-128C	S/S	SS	200pcs/ctn	RM 3.00
MP-128D	S/S	SS	200pcs/ctn	RM 3.00
MP-131	S/S	SS	200pcs/ctn	RM 3.00
MP-142	S/S	SS	200pcs/ctn	RM 3.00

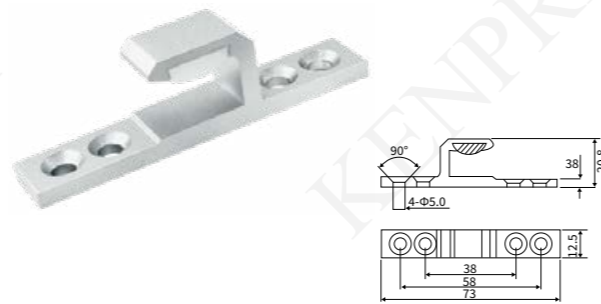
MP-127 Lock Cam

Height : 13mm / 16mm



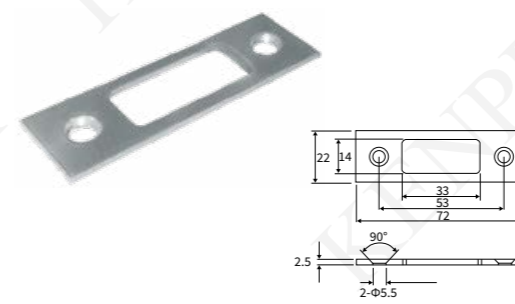
MP-970 Casement Window Hook

Finish : NA / White / Black



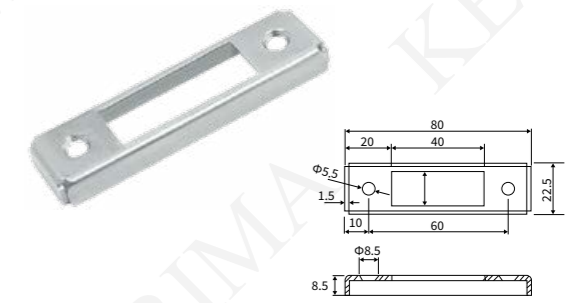
PD-1 Door Keeper

Material : Stainless Steel



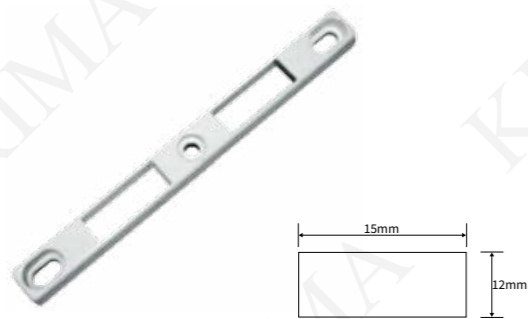
PD-2 Door Keeper

Material : Stainless Steel



MP-130 Sliding Door Keeper For Shb Lock

Size : 15mm(W)x12mm(H)x163mm(L)
Finish : White/Black



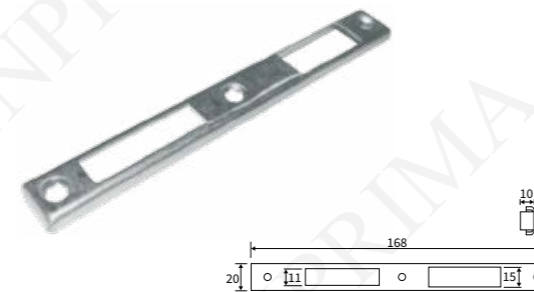
MP-16F Sliding Door Keeper For Shb Lock

Size : 16mm(W)x228mm(L)



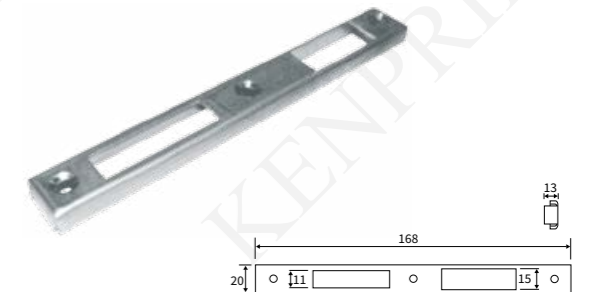
PD-3 Door Keeper

Material : Stainless Steel 202



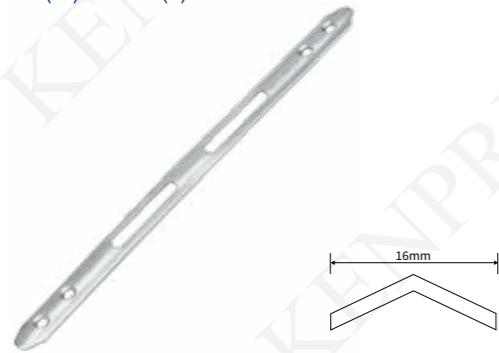
PD-4 Door Keeper

Material : Stainless Steel



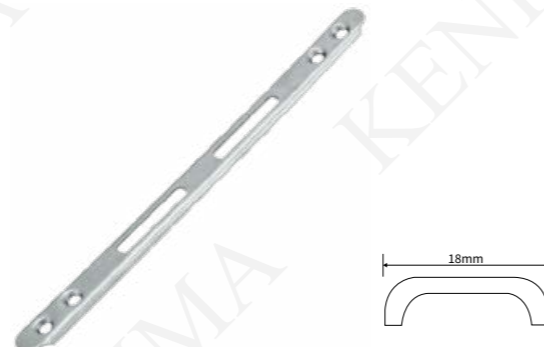
MP-16V Sliding Door Keeper For Shb Lock

Size : 16mm(W)x228mm(L)



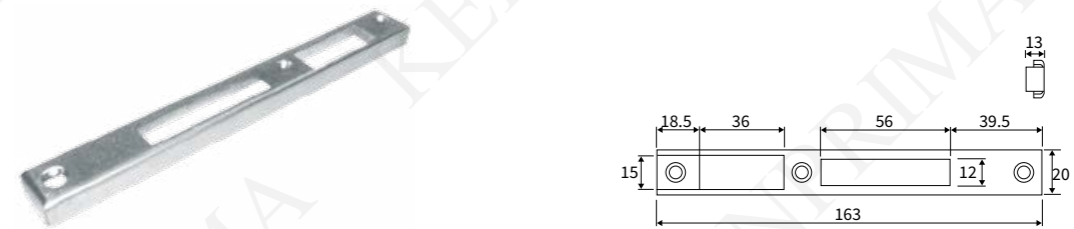
MP-18 Sliding Door Keeper For Shb Lock

Size : 18mm(W)x228mm(L)



PD-5 Door Keeper

Material : Stainless Steel

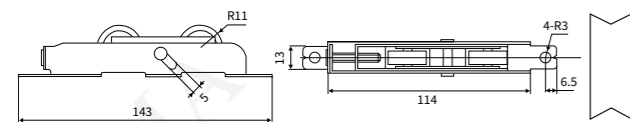


MODEL NO	MATERIAL	FINISHING	PACKING	(RM)/UNIT
MP-127	S/S	SS	1000pcs/ctn	RM 3.00*
MP970	Aluminium	NA/White/Black	500pcs/ctn	RM 4.50*
MP-130	S/S	White/Black	200pcs/ctn	RM 11.25
MP-16F	S/S	SS	200pcs/ctn	RM 7.50
MP-16V	S/S	SS	200pcs/ctn	RM 7.50
MP-18	S/S	SS	200pcs/ctn	RM 7.50

MODEL NO	MATERIAL	PACKING	(RM)/UNIT
PD-1	S/S	200pcs/ctn	RM 4.50
PD-2	Aluminium	200pcs/ctn	RM 4.50
PD-3	S/S	200pcs/ctn	RM 22.50
PD-4	S/S	200pcs/ctn	RM 22.50
PD-5	S/S	200pcs/ctn	RM 22.50

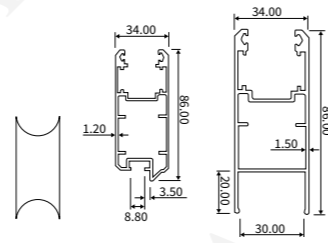
RMR-019-Y-V Performance Sliding Door Roller

Max.Weight : 70 Kgs



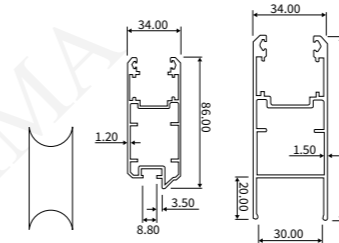
RMR-019-Y-R Performance Sliding Door Roller

Max.Weight : 70 Kgs



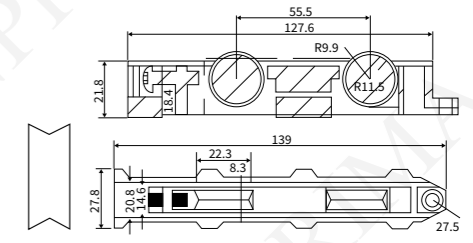
RMR-11 Sliding Door Roller

Max.Weight : 70 Kgs



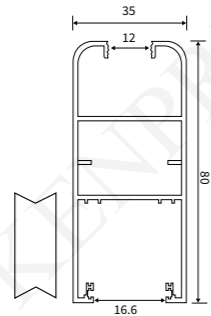
RMR-12 Sliding Door Roller

Max.Weight : 70 Kgs



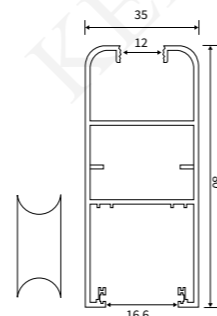
RMR-019-B-V Performance Sliding Door Roller

Max.Weight : 150 Kgs



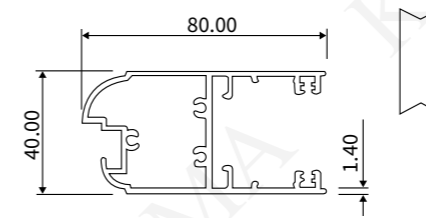
RMR-019-B-R Performance Sliding Door Roller

Max.Weight : 150 Kgs



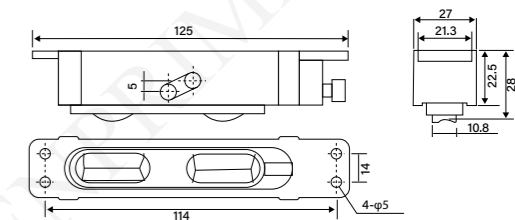
RMR-14V Sliding Door Roller

Max.Weight : 70 Kgs



RMR-14R Sliding Door Roller

Max.Weight : 70 Kgs

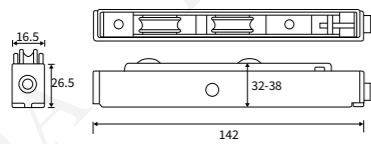


MODEL NO	MATERIAL	FINISHING	PACKING	(RM)/UNIT
RMR-019-Y-V	S/S	SS	150pcs/ctn	RM 18.25
RMR-019-Y-R	S/S	SS	150pcs/ctn	RM 18.25
RMR-019-B-V	S/S	SS	150pcs/ctn	RM 34.50
RMR-019-B-R	S/S	SS	150pcs/ctn	RM 34.50

MODEL NO	MATERIAL	FINISHING	PACKING	(RM)/UNIT
RMR-11	S/S	SS	150pcs/ctn	RM 39.00
RMR-12	S/S	Black	200pcs/ctn	RM 30.00
RMR-14-R	S/S	SS	150pcs/ctn	RM 19.50
RMR-14-V	S/S	SS	150pcs/ctn	RM 19.50

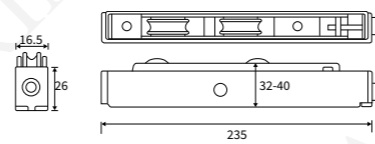
RMR-15A Sliding Door Roller

Max.Weight : 70 Kgs



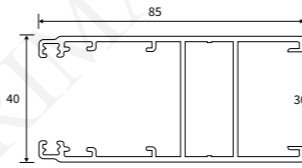
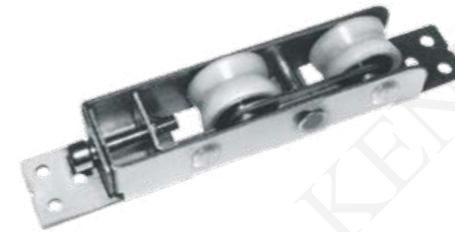
RMR-16 Sliding Door Roller

Max.Weight : 150 Kgs



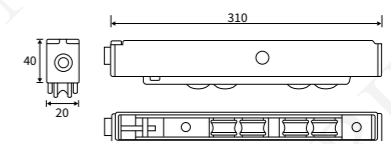
RL-015 HD Performance Sliding Door Roller

Max.Weight : 150Kgs



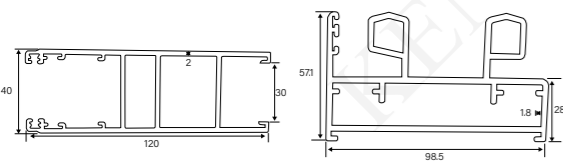
RL-030 Performance Sliding Door Roller

Max.Weight : 150Kgs



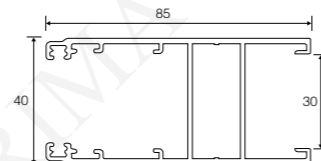
Prima SD 7057 Fapim Sliding Door Roller

Max.Weight : 70Kgs



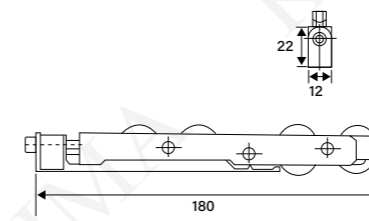
RL-015 Performance Sliding Door Roller

Max.Weight : 120Kgs



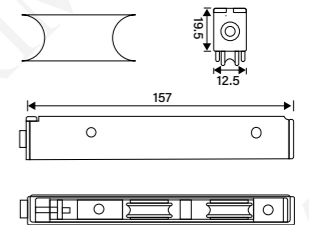
RL-021 Performance Sliding Door Roller

Max.Weight : 70Kgs



RL-026 Performance Sliding Door Roller

Max.Weight : 45Kgs

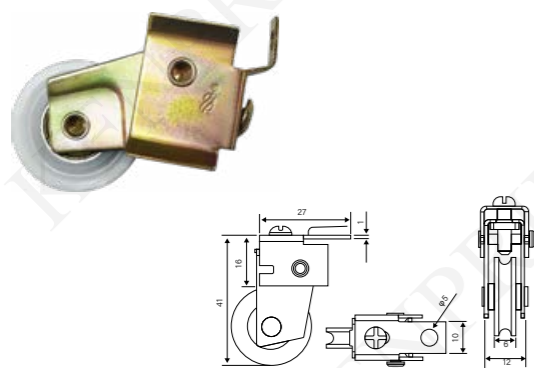


MODEL NO	MATERIAL	FINISHING	PACKING	(RM)/UNIT
RMR-15A	S/S	SS	150pcs/ctn	RM 19.50
RMR-16	S/S	Black	200pcs/ctn	RM 71.25
SD 7057	PVC	SS	150pcs/ctn	RM 157.50
RL-015	S/S	SS	150pcs/ctn	RM 70.00

MODEL NO	MATERIAL	FINISHING	PACKING	(RM)/UNIT
RL-015 HD	S/S	SS	150pcs/ctn	RM 64.50
RL-030	S/S	SS	50pcs/ctn	RM 180.00
RL-021	S/S	SS	150pcs/ctn	RM 59.40
RMR-026	S/S	SS	150pcs/ctn	RM 30.00

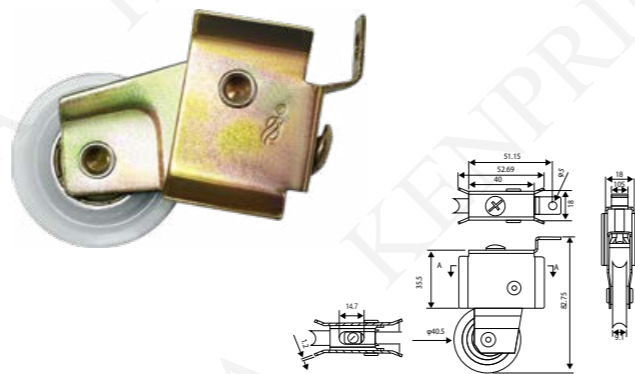
R002P

Sliding Window Roller
Max Weight:15kgs for 2 Roller



R001P

Sliding Door Roller (STD)
Max Weight:38kgs for 2 Roller



R1 (Brass)

Sliding Door Roller (ECO)
Max Weight:80 kgs for 2 roller



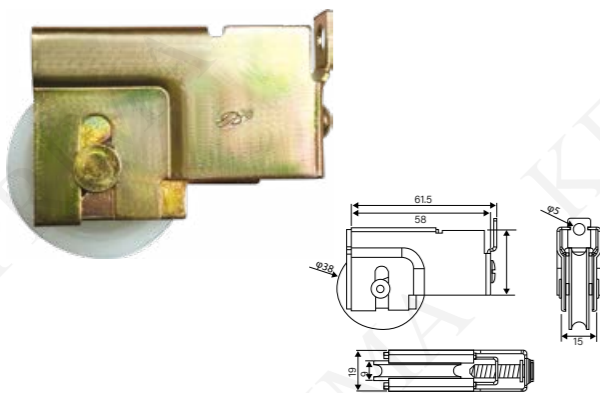
R2 (Brass)

Sliding Door Roller (STD)
Max Weight:80 kgs for 2 roller



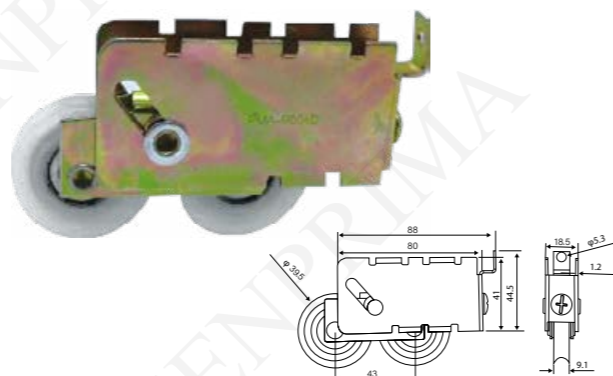
R004P

Sliding Door Roller (ECO)
Max Weight:38kgs for 2 Roller



R004D-P

Sliding Door Roller (ECO)
Max Weight:76kgs for 2 Roller



PRIMA R018-W

Aluminium Door Wheel
Max Weight:50 kgs for 2 roller



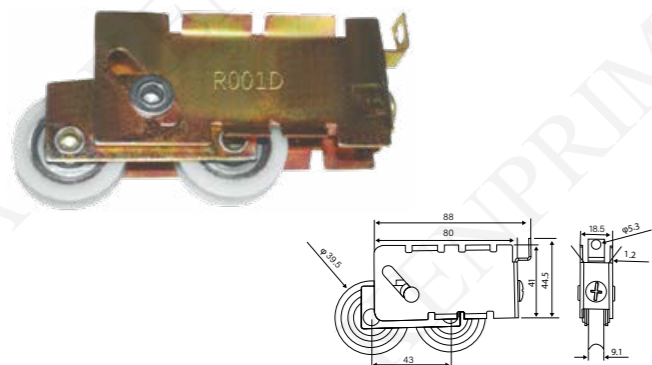
PRIMA R018-B

Aluminium Door Wheel
Max Weight:80 kgs for 2 roller



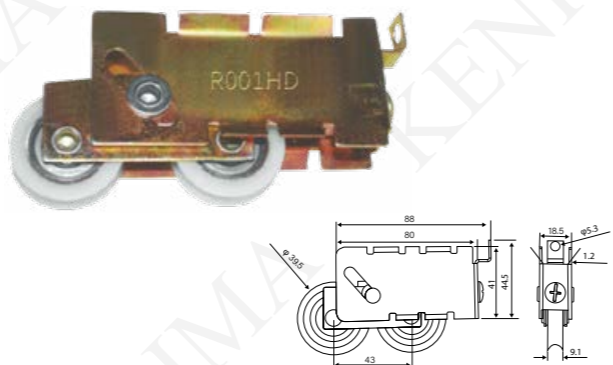
R001D-P

Sliding Door Roller (STD)
Max Weight:76kgs for 2 Roller



R001HD-P

Sliding Door Roller (STD)
Max Weight:100kgs for 2 Roller



R-192 Bearing

Showcase Roller



R-193 Without Bearing

Roller(Copper)



MODEL NO	DESCRIPTION	BRAND	MAX.WEIGHT	PACKING	(RM)/UNIT
R002P	Sliding Window Roller	PRIMA	15 kgs	1000 pcs/ctn	RM 1.50
R001P	ECO Sliding Door Roller	PRIMA	38 kgs	300 pcs/ctn	RM 3.50
R004P	ECO Sliding Door Double Roller	PRIMA	76 kgs	150 pcs/ctn	RM 9.20
R004D-P	STD Sliding Door Roller	PRIMA	38 kgs	300 pcs/ctn	RM 3.48
R001D-P	STD Sliding Door Double Roller	PRIMA	76 kgs	150 pcs/ctn	RM 9.20
R001HD-P	STD Sliding Door Heavy Double Roller	PRIMA	100 kgs	150 pcs/ctn	RM 13.50

MODEL NO	MATERIAL	FINISHING	PACKING	(RM)/UNIT
R1 (Brass)	Brass	MF	200pcs/ctn	RM 14.50
R2 (Brass)	Brass	MF	200pcs/ctn	RM 14.50
R*018*W	Steel/Nylon	White	100pcs/ctn	RM 12.38
R*018*B	Steel/Nylon	Blue	100pcs/ctn	RM 20.50
R-192	S/S	SS	150pcs/ctn	RM 3.25
R-193	Brass	SS	1000pcs/ctn	RM 2.45



R007

Window Roller
Max Weight:30 kgs for 2 roller



R012

Door Roller
Max Weight:30 kgs for 2 roller



MATEX D-014

Sliding Window Roller
Max Weight:12 kgs for 2 roller



MATEX FA38MM

Sliding Door Roller
Max Weight:80 kgs for 2 roller



Star R002

Window Roller(Nylon/Steel)
Max Weight:12 kgs for 2 roller



Star R001 (STD)

Door Roller (Nylon/Steel)
Max Weight:18-38 kgs for 2 roller



MATEX 400

Sliding Door Roller-STD
Max Weight:50 kgs for 2 roller



MATEX 7000

Sliding Door Roller-ECO
Max Weight:50 kgs for 2 roller



Star R004 (ECO)

Door Roller (Nylon/Steel)
Max Weight:18-38 kgs for 2 roller



Star R001

Double Door Roller
Max Weight:76kgs for 2 roller



Star R-018B

Aluminium Door Wheel
Max Weight:50 kgs for 2 roller



Anti Jump Roller



MODEL NO	MATERIAL	FINISHING	PACKING	(RM)/UNIT
R007(B)	Steel/Nylon	MF	200pcs/ctn	RM 8.00
R012(B)	Steel/Nylon	MF	200pcs/ctn	RM 12.00
R002(B)	Steel/Nylon	MF	500pcs/ctn	RM 1.80
R001(B)	Steel/Nylon	MF	150pcs/ctn	RM 3.85
R004(B)	Steel/Nylon	MF	150pcs/ctn	RM 3.85
R001D(B)	Steel/Nylon	MF	90pcs/ctn	RM 12.50

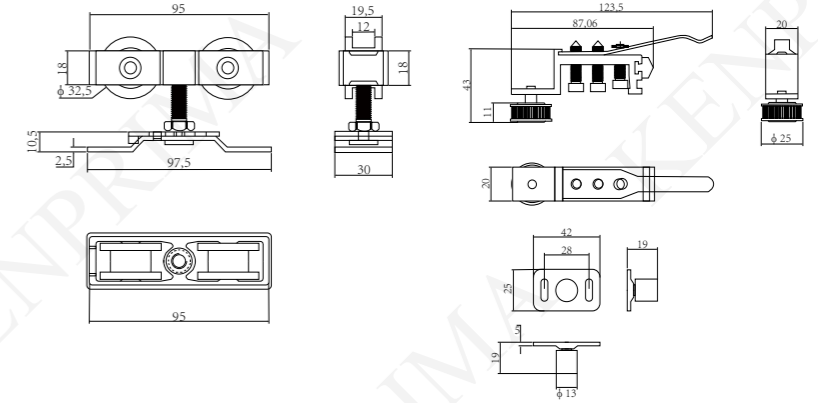
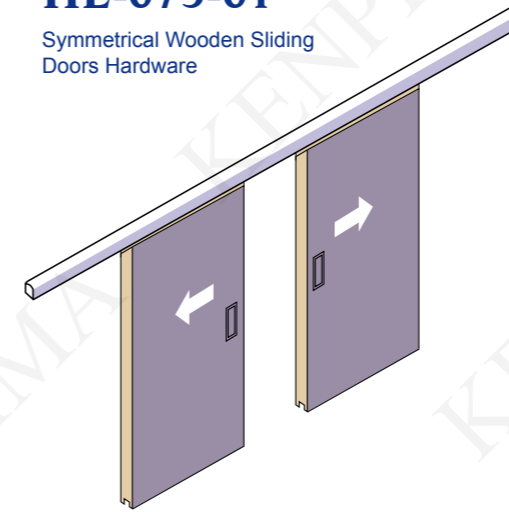
MODEL NO	MATERIAL	FINISHING	PACKING	(RM)/UNIT
R014(M)	Steel/Nylon	MF	100pcs/ctn	RM 8.75
R0700(M)	Steel/Nylon	MF	100pcs/ctn	RM 12.60
R0400(M)	Steel/Nylon	MF	100pcs/ctn	RM 12.60
RFA-38(M)	Steel/Nylon	MF	100pcs/ctn	RM 31.00
R*018(B)	Steel/Nylon	MF	20pcs/ctn	RM 50.95
R-AJ	Steel/Nylon	MF	100pcs/ctn	RM 38.00



SLIDING DOOR SERIES

HL-075-01

Symmetrical Wooden Sliding Doors Hardware




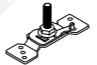


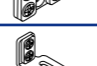



FEATURES

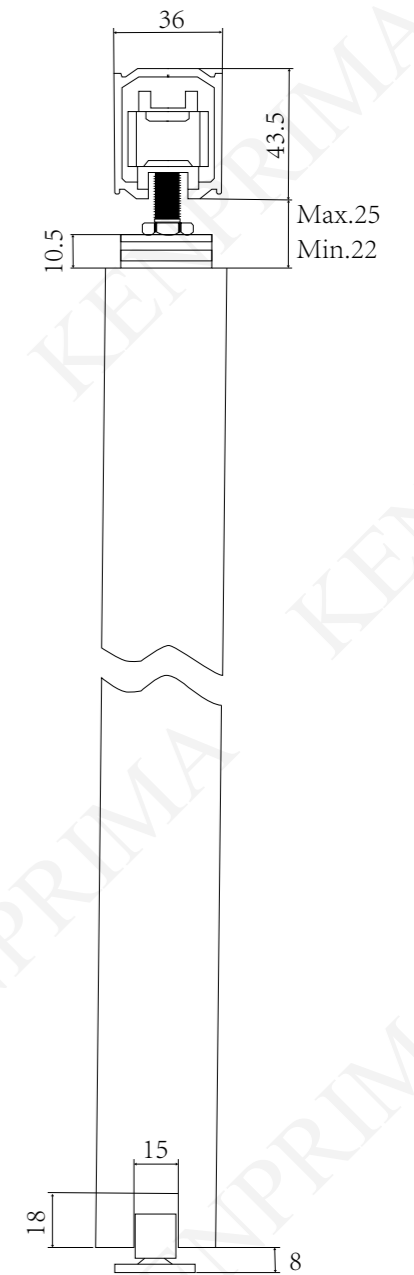
- For double leaf sliding doors, Synchronized inversion sliding system for double door
- Height adjustment of 3mm
- Max door weight 80KG
- Door thickness 30-45mm
- Door width 500-1200mm
- with 2.0 Mtr Track @ RM 582.50
- with 4.0 Mtr Track @ RM 822.50

MATERIALS AND FINISHES

- Sliding track: Aluminum, Anodized
- Hanging roller: Zinc alloy, SN
- Bracket: Iron, SN

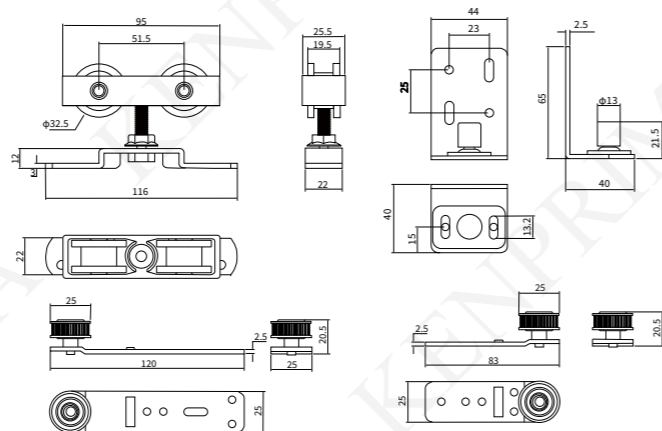
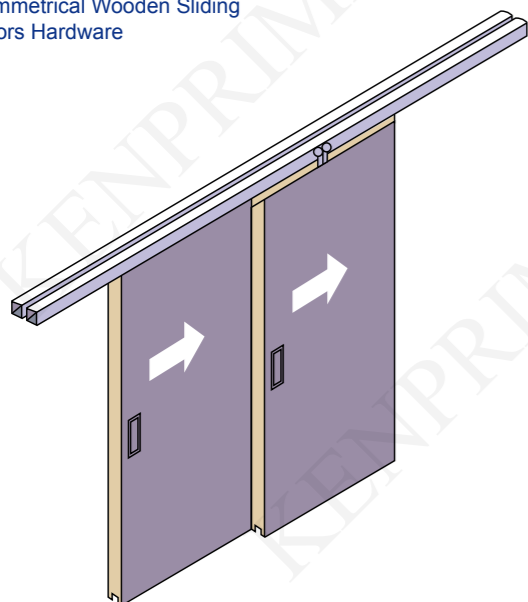
STANDARD CONFIGURATION

	Hanging roller	4/pcs
	Bracket	4/pcs
	Door stop	2/pcs
	Door stop	2/pcs
	Connector for Belt	2/pcs
	Fixing device for Belt	1/pcs
	Belt 10 meters	1/pcs
	Bottom guide	2/pcs
	Screws	1/pcs



HL-075

Symmetrical Wooden Sliding Doors Hardware

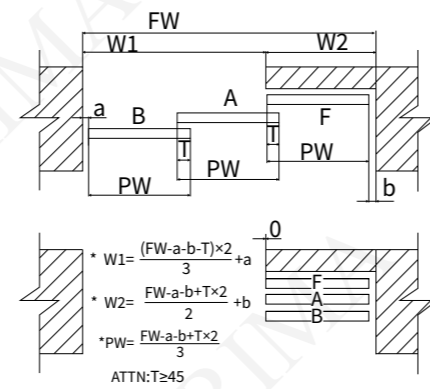
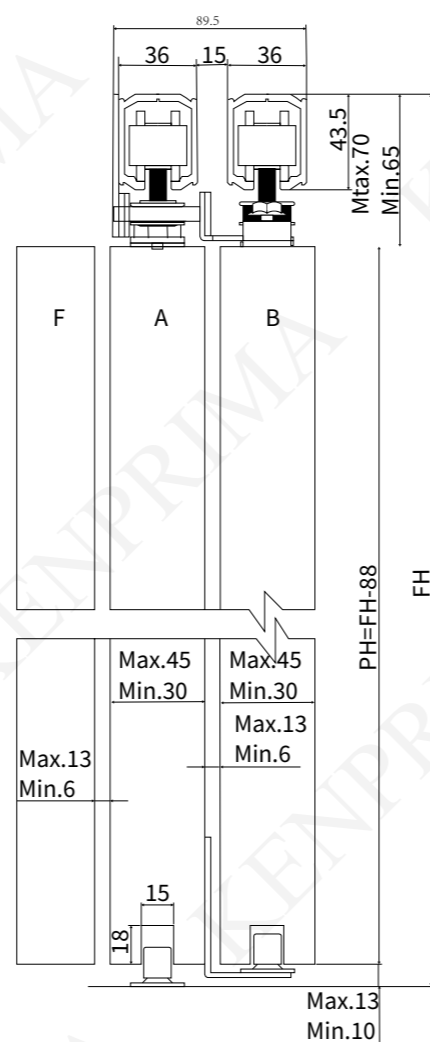


FEATURES

- Synchronized Syntropy sliding system for double doors
- Height adjustment of 3mm
- Max door weight 80KG
- Door thickness 30-45mm
- Door width 500-1200mm
- with 2.0 Mtr Track @ RM 802.50
- with 4.0 Mtr Track @ RM 1,282.50

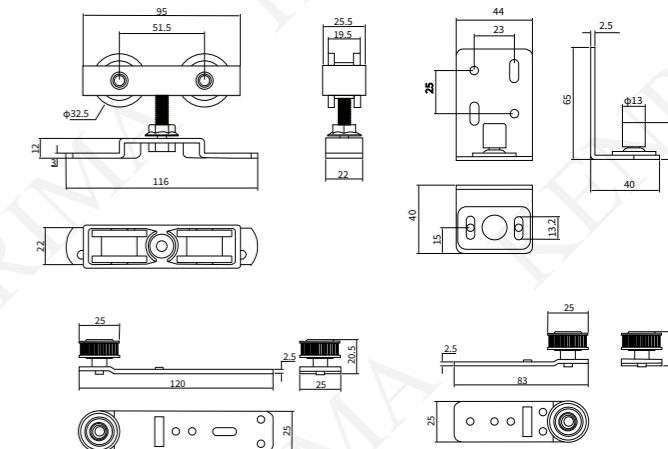
STANDARD CONFIGURATION

	Hanging roller	4/pcs
	Bracket	4/pcs
	Door stop	4/pcs
	Fixed seat	1/pcs
	Long bracket with wheel	1/pcs
	Short bracket with wheel	1/pcs
	Connector for Belt	1/pcs
	Fixing device for Belt	1/pcs
	Belt 3 meters	1/pcs
	Bottom guide	1/pcs
	Screws	1/pcs



HL-074

Symmetrical Wooden Sliding Doors Hardware

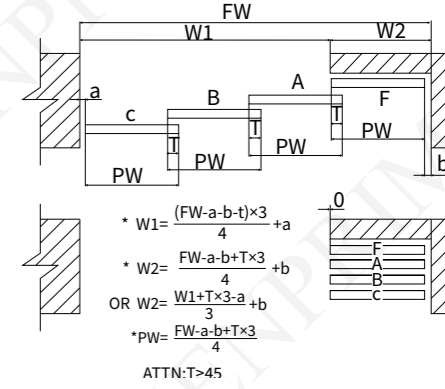
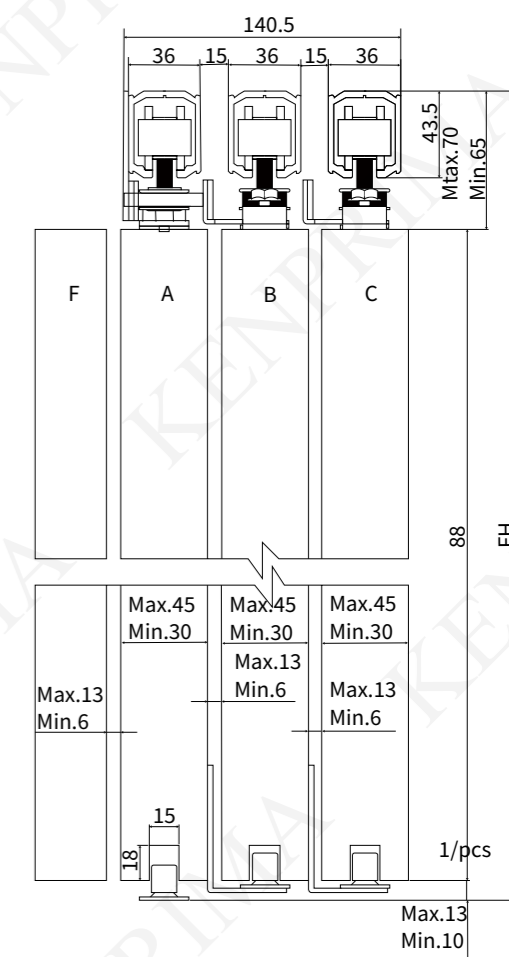


FEATURES

- Synchronized Syntropy sliding system for double doors
- Height adjustment of 3mm
- Max door weight 80KG
- Door thickness 30-45mm with 2.0 Mtr Track @ RM 1,192.50
- Door width 500-1200mm with 4.0 Mtr Track @ RM 1,912.50

STANDARD CONFIGURATION

	Hanging roller	6/pcs
	Bracket	6/pcs
	Door stop	6/pcs
	Fixed seat	1/pcs
	Long bracket with wheel	2/pcs
	Short bracket with wheel	2/pcs
	Adjustable fixing device	1/pcs
	Connector for Belt	2/pcs
	Fixing device for Belt	2/pcs
	Bottom guide	2/pcs
	Belt 3 meters	2/pcs
	Bottom guide	1/pcs
	Screws	1/pcs



SDA-300

Soft-Close Sliding Wooden Door Hardware



FEATURES

- For single or double leaf doors
- With soft close function
- Height adjustment of 5mm
- Max door weight 80kg
- Min. door thickness 30kg

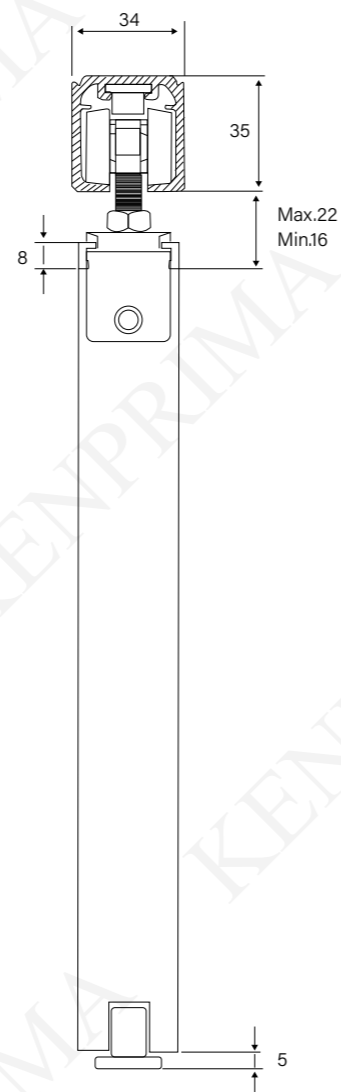
MATERIALS AND FINISHERS

- Sliding track: Aluminum, Anodized
- Hanging roller: Zinc alloy, SN
- Bracket: Brass, SN

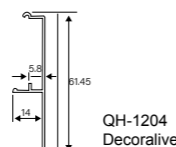
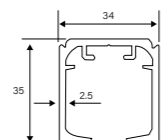
STANDARD CONFIGURATION

	Hanging roller	2/pcs
	Bracket	2/pcs
	Soft close clasper device	2/pcs
	Bottom guide	1/pcs

Screws 1/set



ACCESSORIES OPTIONAL



PRIMA 303 (4 Roller)

Aluminium Door Wheel
Max Door Weight: 80kgs



PRIMA 313 (8 Roller)

Aluminium Door Wheel
Max Door Weight: 120kgs



SDA-304 Sliding System (4 Roller)

For Wood Door/Aluminium Section
Max Door Weight: 60kgs



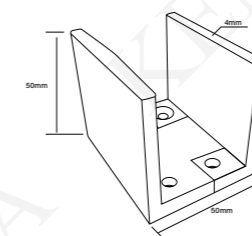
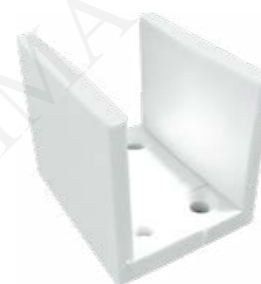
SDA-304 Sliding System (8 Roller)

For Wood Door/Aluminium Section
Max Door Weight: 80kgs



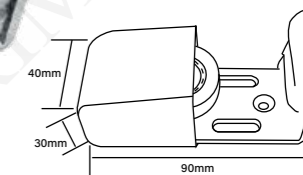
GSD009(B)

Adjustable Floor Guide
Size: 30mm~50mm



GSD008(B)

Adjustable Floor Guide
Size: 30mm~65mm

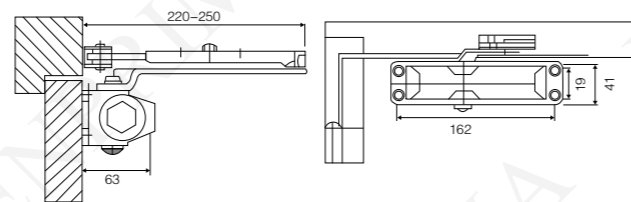


MODEL NO	MATERIAL	FINISHING	PACKING	(RM)/UNIT
SDA-303	Steel/Nylon	MF	100pcs/ctn	RM 40.00
SDA-313	Steel/Nylon	MF	100pcs/ctn	RM 70.00
SDA-304	Steel/Nylon	MF	100pcs/ctn	RM 38.75
SDA-308	Steel/Nylon	MF	100pcs/ctn	RM 87.50
GSD009(B)	Nylon	White	100pcs/ctn	RM 29.00
GSD008(B)	Nylon	NA	100pcs/ctn	RM 64.00

PRIMA A-061C Door Closer



- The adjustable section of closing speed is 180° -20° the adjustable section of locking is 20° -0°.
- The painting plastic moving arm can protect from eroding: the excellent closing can protect from oil leakage.
- Super aluminum alloy casting machine and the three layers of brightness painting will protect it from oxygenation.
- Two hydraulic pressure valves control two sections of door closing seperately the speed of locking have been control by the whole section of hydraulic pressure.
- The high-carbon steel axis and rack work smart and less transfigure after being managed through high channel adjusting.



MODEL	A	A	A	A	A	A	WEIGHT	WIDTH
A-061C	162	105	220	30	19	17	60-90kg	Less than 1000
A-062C	188	115	270	35	19	19	90-120kg	Less than 1000
A-061	165	100	215	30	19	17	60-80kg	Less than 1000

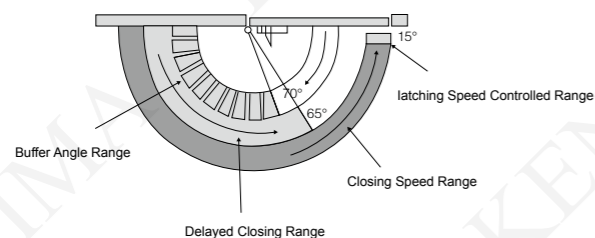
Closing&latching continuous adjustment : the fastest closing in 3 second srom 90° white the slow closing in more than 40 seconds.

Buffer function : door closer can create resistance to avoid to much for ces while opening the door to hit the wall; resistance is adjustable.

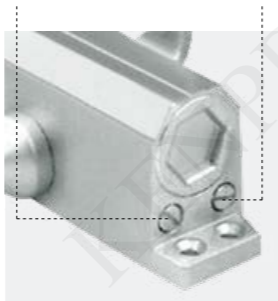
Delayed closing function : between 18° -65° , preset by the factory is 20 seconds which can be easily changed to 1 second to facilitate the senior and the disabled.

Closing force adjustment function : closing force is decided by the doors of different size and weight; this kind of door closer can be adjusted to the min closing force to reduce the resistance and facilitate the senior and disabled.

ANGLE RANGE OF EACH FUNCTION



Closing speed adjustment Latching speed adjustment



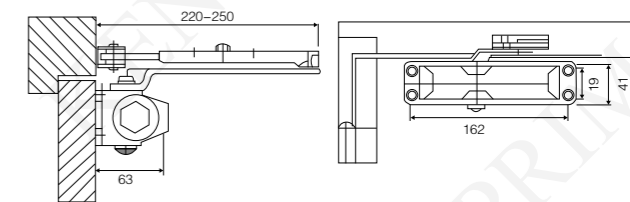
Closing speed adjustment Latching speed adjustment



PMA Door Closer D-061



- The max width of door is 600-1200mm, suitable for the door weight of 45-60kg.
- With a function of stopping at anchor point of 90° and no anchor point of 180° .
- Distance : 162mm x 19mm



- The adjustable section of closing speed is 180° -20° the adjustable section of locking is 20° -0° .
- The painting plastic moving arm can protect from eroding: the excellent closing can protect from oil leakage.
- Super aluminum alloy casting machine and the three layers of brightness painting will protect it from oxygenation.
- Two hydraulic pressure valves control two sections of door closing seperately the speed of locking have been control by the whole section of hydraulic pressure.
- The high-carbon steel axis and rack work smart and less transfigure after being managed through high channel adjusting.

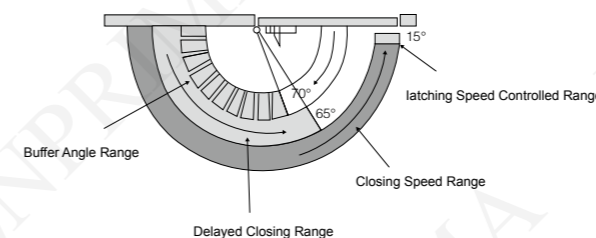
Closing&latching continuous adjustment : the fastest closing in 3 second srom 90° white the slow closing in more than 40 seconds.

Buffer function : door closer can create resistance to avoid to much for ces while opening the door to hit the wall; resistance is adjustable.

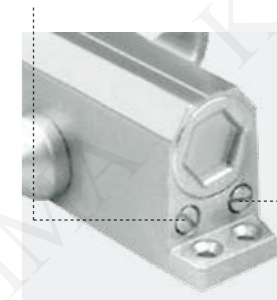
Delayed closing function : between 18° -65° , preset by the factory is 20 seconds which can be easily changed to 1 second to facilitate the senior and the disabled.

Closing force adjustment function : closing force is decided by the doors of different size and weight; this kind of door closer can be adjusted to the min closing force to reduce the resistance and facilitate the senior and disabled.

ANGLE RANGE OF EACH FUNCTION



Closing speed adjustment Latching speed adjustment



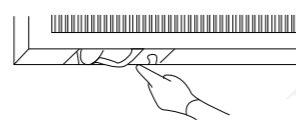
Closing speed adjustment Latching speed adjustment



YOMA Sliding Door Closer



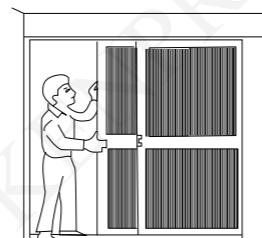
Before mounting door closer, check door is in good working order as follows:



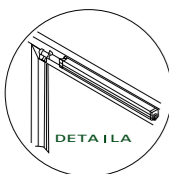
• Check door wheels and oil if necessary.



• Check that sliding rail is clear and clean.



• Check alignment of doors with each other and with doorway frame.
Check sliding action by lightly pushing door to : should close smoothly and rebound slightly.



MODEL	DOOR SIZE	CODE
90D	900mm	SDC-YOMA-3
120D	1200mm	SDC-YOMA-4
150D	1500mm	SDC-YOMA-5

FA-00302

Full-Extension Ball Bearing Slide(45x1.2)



Size : 10" / 12" / 14" / 16" / 18" / 20" / 22" / 24"

Wax. Weight : 45kg

Finish : Cold-rolled Steel

Material : Black Zinc

Packing : 15 Pairs / Box

FA-00904

Powder Coat Roller Slide



Size : 10" / 12" / 14" / 16" / 18" / 20" / 22" / 24"

Wax. Weight : 25kg

Finish : Cold-rolled Steel

Material : White

Packing : 30 Pairs / Box

Cabinet Hinge



Magnet



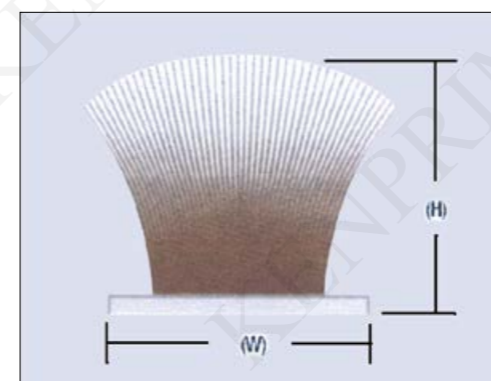
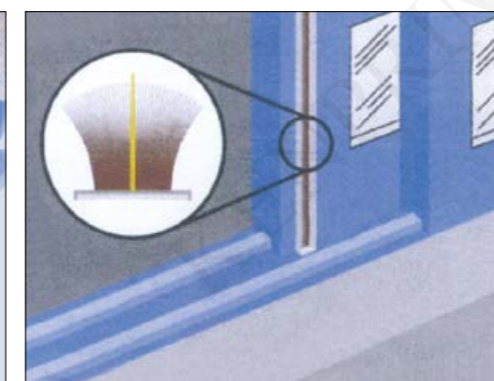
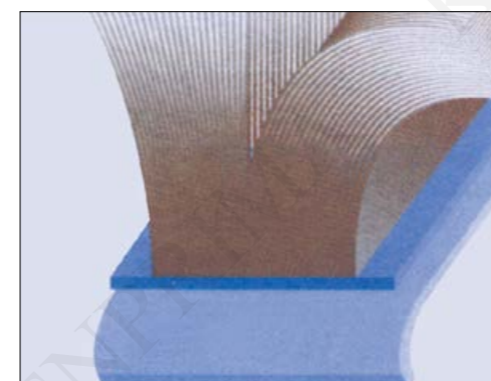
MODEL NO	DESCRIPTIION	SIZE / Max.Weight	BRAND	PACKING	(RM)/UNIT
YOMA-3	900mm Sliding Door Closer	Door Size : 900mm	YOMA	10pcs/ctn	RM 386.00
YOMA-4	1200mm Sliding Door Closer	Door Size : 1200mm	YOMA	10pcs/ctn	RM 555.00
YOMA-5	1500mm Sliding Door Closer	Door Size : 1500mm	YOMA	10pcs/ctn	RM 746.50
FA-00302-18 "	Full Extension Ball Bearig Slide (N)	Weight : 45kgs	-	20pcs/ctn	RM 21.60
CHH03	Csbinet Hinge Y 03 (4hole)	-	-	300pcs/ctn	RM 4.40

Weatherseal

Polypropylene pile weatherseal for applications on aluminium sliding windows and doors.

The Weatherseal benefits:

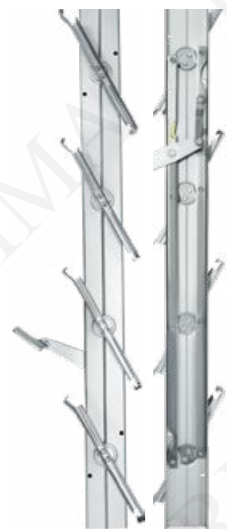
- * Ease installation
- * Move independtly, low friction, will not stretch or shrink
- * Water resistant
- * effective prevention against nose, water and air filtration



MODEL NO	LENGTH/ROLL	COLOR	(RM)/UNIT
WS 5 X 4.5	500 MTR	DARK GREY	RM 354.00
WS 5 X 5	500 MTR	DARK GREY	RM 354.00
WS 5 X 6	450 MTR	DARK GREY	RM 327.60
WS 5 X 7	300 MTR	DARK GREY	RM 308.80
WS 5 X 8	300 MTR	DARK GREY	RM 327.60
WS 5 X 9	300 MTR	DARK GREY	RM 370.00
WS 5 X 10	300 MTR	DARK GREY	RM 291.20
WS 6 X 5	400 MTR	DARK GREY	RM 291.20
WS 6 X 6	400 MTR	DARK GREY	RM 296.00
WS 6 X 7	350 MTR	DARK GREY	RM 270.20
WS 8 X 8	200 MTR	DARK GREY	RM 340.00
WS 6 X 6 SA	400 MTR	DARK GREY	RM 876.80
WS 6 X 8 SA	300 MTR	DARK GREY	RM 688.80
WS 7 X 8 SA	300 MTR	DARK GREY	RM 694.80
WS 5 X 10 F	200 MTR	DARK GREY	RM 300.00
WS 5 X 9 F	200 MTR	DARK GREY	RM 310.00



6" Aluminium Louvres With Double Bar Standard



BLADES	HEIGHT	CONTROL
3	440mm	Single
4	580mm	Single
5	720mm	Single
6	860mm	Single
7	1000mm	Single
8	1140mm	Double
9	1280mm	Double
10	1420mm	Double
11	1560mm	Double
12	1700mm	Double

Material : Aluminium

Finish : NA / MB / Black / White

BLADES	HEIGHT	CONTROL
2	305mm	Single
3	445mm	Single
4	582mm	Single
5	724mm	Single
6	864mm	Single
7	1004mm	Single
8	1143mm	Single
8	1143mm	Double
9	1283mm	Double
10	1422mm	Double
11	1562mm	Double
12	1701mm	Double
13	1842mm	Double
14	1981mm	Double
15	2121mm	Double
16	2261mm	Double
17	2400mm	Triple
18	2540mm	Triple

6" Metal Louvres



Material : Metal

Finish : Mild

Brand : KingKong

BLADES	HEIGHT	CONTROL
3	445mm	Single
4	584mm	Single
5	724mm	Single
6	864mm	Single
7	1003mm	Single/Double
8	1143mm	Single/Double
9	1283mm	Single/Double
10	1422mm	Double
11	1562mm	Double
12	1702mm	Double
13	1842mm	Double
14	1981mm	Double

Aluminium Naco Clip



PVC Clip 152mm



Insect Gasket Double Roller



Mosquito Bracket-Casement



Mosquito Bracket-Sliding



B 033 Insect Screen Corner Bracket



4" Alum.handle



B 011 Insect Screen Button H



B 012 Insect Screen Button L



MODEL NO	MATERIAL	FINISHING	PACKING	(RM)/UNIT
ANCN	Aluminium	NA	1,000pcs/ctn	RM 2.30
		MB	1,000pcs/ctn	RM 2.66
		WHITE	1,000pcs/ctn	RM 4.75
		BLACK	1,000pcs/ctn	RM 4.75
ANCN(P)	PVC	BLACK	500pcs/ctn	RM 5.00
		WHITE	500pcs/ctn	RM 5.00
NETPR	Steel	MF	50pcs/ctn	RM 101.50
NETLB	Aluminium	MF	1000pcs/ctn	RM 0.62
NETLB-S	Aluminium	MF	1000pcs/ctn	RM 0.90
B033	PVC	Grey / Black	800pcs/ctn	RM 70.00/200pcs
AHNA-4	Aluminium	NA	1000pcs/ctn	RM 28.00
B011	PVC	WHITE	1000pcs/pkt	RM 60.00/1,000pcs
B012	PVC	WHITE	1000pcs/pkt	RM 60.00/1,000pcs

Aluminium Netting

Bright Aluminium Insect netting is well know for its superior quality. Aluminium finish is free of streaks and durable. Black color cotaed netting is premium choice for our aluminium netting product.with advance technology from U.S.A allows us to produce superior coating quality. The material is greatly durable and tends to reduce glare allowing an improved outward visibility.



Made in Thailand



Aluminium insect Netting				
Aluminium insect Netting is available in various width				
Inch	Centimeter	Wire Diameter	Length	Midsh
26-60	66-152.4	0.24mm	100ft	18x16
Hole : 1.5mm x 1.5mm				

MODEL NO	SIZE	MATERIAL	FINISHING	PACKING	(RM)/UNIT
NET3	36" X 30MTR	Aluminium	Silver	1 roll/box	RM 480.00
NET4	48" X 30MTR	Aluminium	Silver	1 roll/box	RM 580.00
NET-4-BK	48" X 30MTR	Aluminium	Black	1 roll/box	RM 833.00
NET5	60" X 30MTR	Aluminium	Silver	1 roll/box	RM 860.00

Fibre Netting

Fibre Insect screen and security screen products. A stylishly screen for your living spaces.Create that fly and mosquito free environment you've dream of,for an affordable price! Retain the existing look of your doors and windows, without having to add cumbersome,hinged or sliding insect screens which invade your living space and collect dust and spider webs.Enjoy fresh air with open doors and windows and also imagining improved hygiene of cooking your meal with on flies landing on your food!



Fibre insect Netting				
Fibre insect Netting is available in various width				
Inch	Centimeter	Wire Diameter	Length	Mesh
26-60	66-152.4	0.24mm	100ft	18 x 16
Hole : 1.5mm x 1.5mm				

MODEL NO	SIZE	MATERIAL	FINISHING	PACKING	(RM)/UNIT
NET-FG-4	48" X 30MTR	Fibre	Grey	1 roll/box	RM 472.00
NET-FG-4-B	48" X 30MTR	Fibre	Black	1 roll/box	RM 472.00
NET-FG-5	60" X 30MTR	Fibre	Grey	1 roll/box	RM 528.00
NET-FG-6	72" X 30MTR	Fibre	Grey	1 roll/box	RM 740.00

Stainless Steel Netting

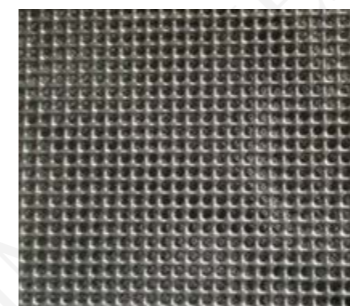
Stanless Steel Wire Mesh is one kind of wire mesh netting, woven by stainless steel wire.It is also called woven wire, atainless steel wire cloth,stanless steel mesh screen,stanless mesh,stanless wire mesh,ss wire mesh.The feaure of Stainless steel is wear-resisting,heat-resisting,acid-resisting and corrosion resisting.

Stainless Steel insect Netting				
Stainless Steel insect Netting is available in various width				
Inch	Centimeter	Wire Diameter	Length	Mesh
26-60	66-152.4	0.25mm	100ft	33G x 20M
26-60	66-152.4	0.60mm	100ft	23G x 10M
26-60	66-152.4	0.90mm	100ft	20G x 4M



MODEL NO	SIZE	MATERIAL	FINISHING	PACKING	(RM)/UNIT
NETSS-3	36" X 100FT	Stainless Steel	S/S	ROLL	RM 3100.00
NETSS-4	48" X 100FT	Stainless Steel	S/S	ROLL	RM 4600.00

Black Stainless Steel Netting



Black Stainless Steel insect Netting		
Stainless Steel insect Netting is available in various width		
Inch	Centimeter	Wire Diameter
26-60	66-152.4	0.9mm



MODEL NO	SIZE	MATERIAL	FINISHING	PACKING	(RM)/UNIT
NETSS-BK-3	900MM X FEET	Stainless Steel	Black	cut to Feet Size	RM 96.00/FEET
NETSS-BK-4	1200MM X FEET	Stainless Steel	Black	cut to Feet Size	RM 128.00/FEET
NETSS-BK-5	1500MM X FEET	Stainless Steel	Black	cut to Feet Size	RM 160.00/FEET

Black Protection Tape

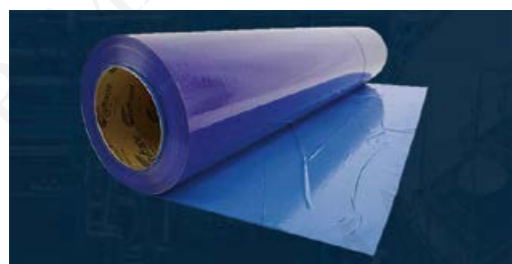


PVC Black protection Tape is designed to provide protection on Aluminium and Steel frames. The tape has a high abrasion resistant backing and excellent UV resistance. The adhesive is designed to provide clean removal. Applications include:

- Protection on Aluminium window and Steel Frames
- Ideal for use in manufacture, transport and installation
- Protecting Aluminium Window and Door frames
- Can be used on Stainless Steel appliances and Sheeting
- Provides Corrosion Protection Barrier between dissimilar metals

MODEL NO	SIZE	USED FOR	FINISHING	PACKING	(RM)/UNIT
BTPMA-B45	1200mm x 45 Meter	Aluminium	Black/Blue	1 Rolls/ctn	RM 400.00
BTPMA-B80	1200mm x 80 Meter	Aluminium	Black/Blue	1 Rolls/ctn	RM 710.00
BTPMA-R45	1200mm x 45 Meter	Aluminium	Black/Red	1 Rolls/ctn	RM 400.00

Blue Protection Tape



MODEL NO	SIZE	USED FOR	FINISHING	PACKING	(RM)/UNIT
BTOPT220(G)	50Micron x 1200mm x 180 Mtr	Glass	Blue	4 Rolls/ctn	RM 760.00
BTOPT220(A)	50Micron x 1200mm x 180 Mtr	Aluminium	Blue	4 Rolls/ctn	RM 960.00

Window Film/Frosted Film



MODEL NO	SIZE	FINISHING	PACKING	(RM)/UNIT
ZSB215/216-3(15)	36" X 15Mtr	Frosted	4 Rolls/ctn	RM 345.00
ZSB215/216-4(15)	48" X 15Mtr	Frosted	4 Rolls/ctn	RM 455.00
ZSB215/216-5(15)	60" X 15Mtr	Frosted	4 Rolls/ctn	RM 570.00
ZSB-	48" X 15MTR/50Mtr	Others Color Ass		-

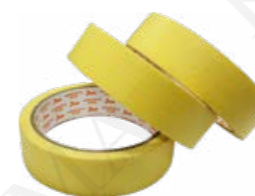
Stretch Film 4"



Stretch Film 20"



Masking Tape



Drywall Joint Tape



Foam Tape With Glue



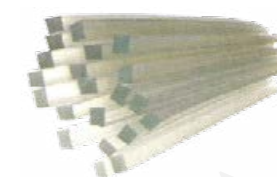
Backer Rod



Super Window Film Squeegee(Usa)



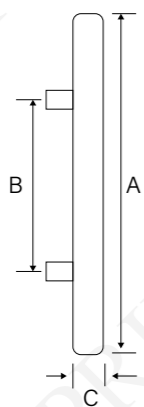
Setting Block



MODEL NO	SIZE	FINISHING	PACKING	(RM)/UNIT
BTOWT-4	4" x +/- 250g	Transparents	60 Rolls/ctn	RM 6.60
BTOWT-20	20" x +/- 1.3g	Transparents	3 Rolls/ctn	RM 32.00
BTOM-144	24mm x18y	Yellow	144 Rolls/ctn	RM 2.50
BTOM-192	18mm x18y	Yellow	192 Rolls/ctn	RM 1.70
JT-5050	50mm x50Mr	White	48 Rolls/ctn	RM 22.40
SST/DST	(T)x(W)x 1 mtr / 2 mtr	White/Black Grey	Custom made price	
BR	(T)x(W)x 1 mtr / 2 mtr	White/Black Grey		
ZSB-SQ	9"	Grey		RM 96.40
SB0610C	6mm x 10mm x 1 FT	Transparents	100 Rolls/plct	RM 2.25
SB1012C	10mm x 12mm x 1 FT	Transparents	50 Rolls/plct	RM 3.55
SB1612C	16mm x 20mm x 1 FT	Transparents	25 Rolls/plct	RM 8.00

AHNA/AHMB

Aluminium Handle-12"



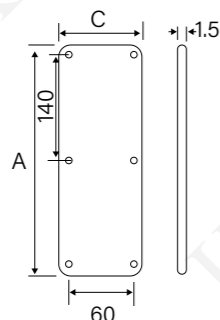
AHNA-9

Aluminium Handle-9"



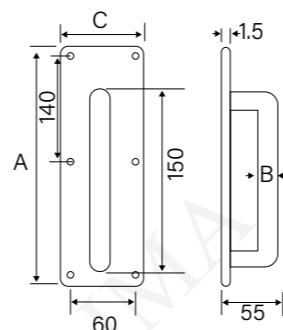
PUSH

Push Plate

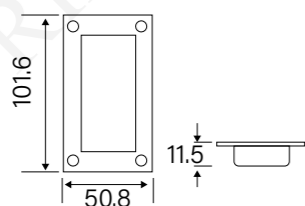


PULL

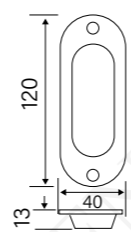
Pull Handle



FP-SQ

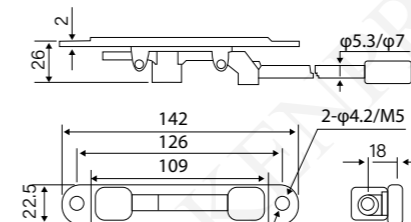


FP-OV



Flush Bolt (Round)

FB-301



Flush Bolt (Square)

FB-302



Flush Bolt (Level)

FB-304

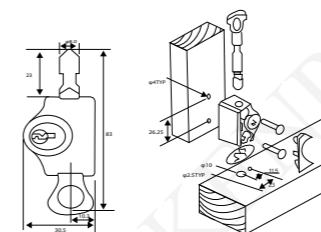


Box Type Flush Bolt

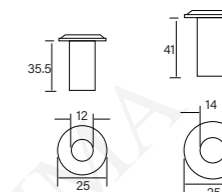
FB-Box



MC93



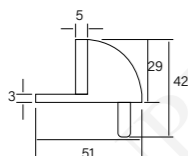
DUST SOCKET



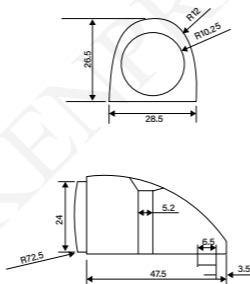
MODEL NO	SICZE	FINISHING	PACKING	(RM)/UNIT
AH-12	300mm	NA	40pcs/ctn	RM 26.20
		MB	40pcs/ctn	RM 29.00
		WHITE	40pcs/ctn	RM 73.05
		BLACK	40pcs/ctn	RM 75.00
AH-9	9"	NA/MB	50pcs/ctn	RM 40.00
		WHITE/BLACK	50pcs/ctn	RM 52.00
PUSH	300mm	S/S	20pcs/ctn	RM 192.50
PULL	300mm	S/S	20pcs/ctn	RM 192.50
FP-SQ	102mm	S/S	100pcs/ctn	RM 18.00
FP-OV	120mm	S/S	50pcs/ctn	RM 20.00

MODEL NO	MATERIAL	FINISHING	PACKING	(RM)/UNIT
FB-301	Aluminium	NA/MB	100pcs/ctn	RM 14.50
FB-301	Aluminium	White/Black	100pcs/ctn	RM 15.50
FB-302	Aluminium	NA/MB	100pcs/ctn	RM 22.33
FB-302	Aluminium	White/Black	100pcs/ctn	RM 23.33
FB-304	Stainless Steel	S/S	100pcs/ctn	Depend Size
FB-BOX	Aluminium	MF	100pcs/ctn	Depend Size
MC-93	Zinc	White/Black	50pcs/ctn	RM 55.00
ZDS-30	Stainless Steel	S/S	200pcs/ctn	RM 24.00
ZDS-40	Stainless Steel	S/S	1000pcs/ctn	RM 55.00
ZDS-70	Stainless Steel	S/S	200pcs/ctn	RM 70.00

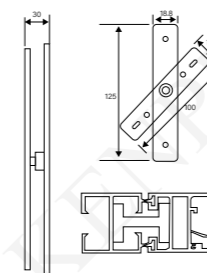
ZDOME
Dome Door Stopper



EOS
EOS Sliding Door Stopper



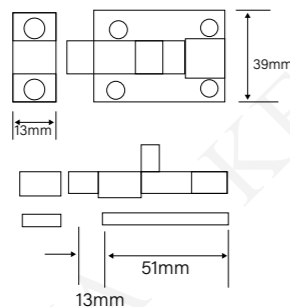
Centre Pivot Window Hinge



CHH
Cabinet Hinge



2" LATCH



EA 50/EA 90 LATH



J CEILING BRACKET ZCJH



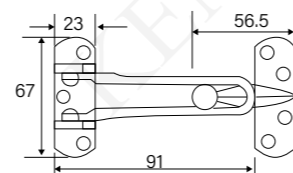
SHOWCASE LOCK LSC-192R/L



70mm SWING BOLT



Door Guard ball Bearing3"



STEEL STRIP SS



PVC WALL PLUG ZPWP

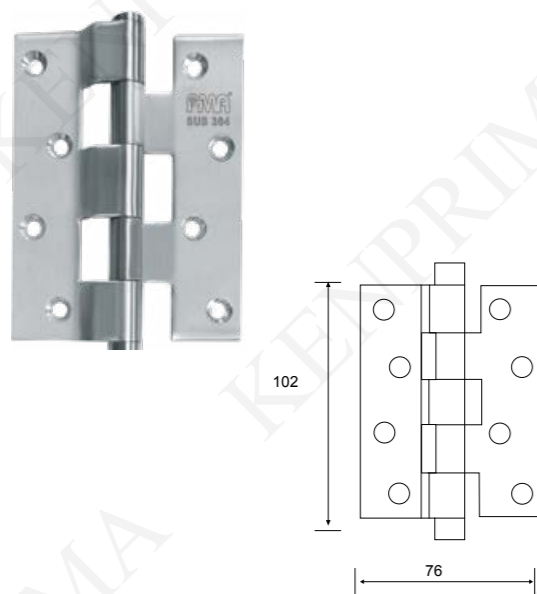


MODEL NO	SIZE	FINISHING	PACKING	(RM)/UNIT
ZDOME	Zinc	S/S	100pcs/ctn	RM 16.00
EOS	Aluminium	WHITE/BLACK	200pcs/ctn	RM 14.00
ZLATCH-2"	Stainless Steel	S/S	100pcs/ctn	RM 11.50
ZLATCH-3"	Stainless Steel	S/S	100pcs/ctn	RM 14.50
EA-50	Stainless Steel	S/S	200pcs/ctn	RM 18.00
EA-90	Stainless Steel	S/S	200pcs/ctn	RM 24.50
SB-70	Stainless Steel	S/S	50pcs/ctn	RM 17.20
DG-3"	Stainless Steel	S/S	100pcs/ctn	RM 60.00

MODEL NO	SIZE	FINISHING	PACKING	(RM)/UNIT
ZCPH	PVC/Stainless Steel	S/S	100pcs/ctn	RM 48.00
CPH-3	Zinc	S/S	200pcs/ctn	RM 4.40
ZCJH	Iron	S/S	3000pcs/ctn	RM 0.70
LSC-192RL	Steel	S/S	200pcs/ctn	RM 14.75
SS	Iron	S/S	1000pcs/ctn	RM 260.00/1000PCS
ZPWP	PVC	Grey	1000pcs/ctn	RM 28.00/K

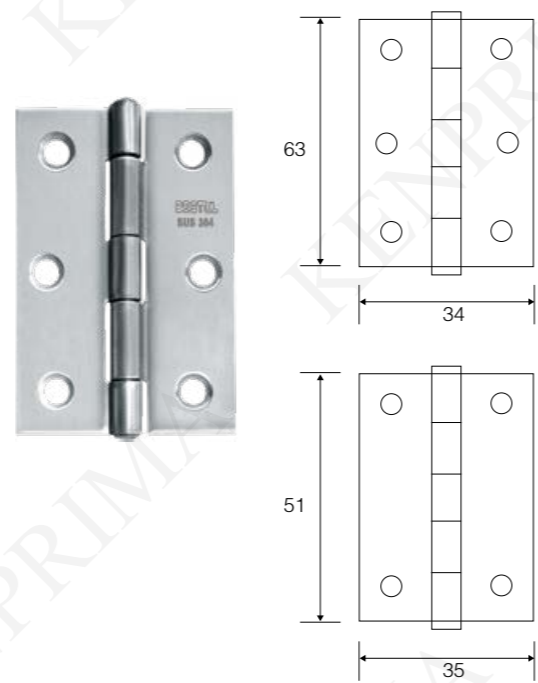
**PMA Grill Door Hinge
H4X3PMA**

Available in Material : 202/SUS 304



Bestul Stainless Steel Hinge

Available in size : 2 1/2" & 2"



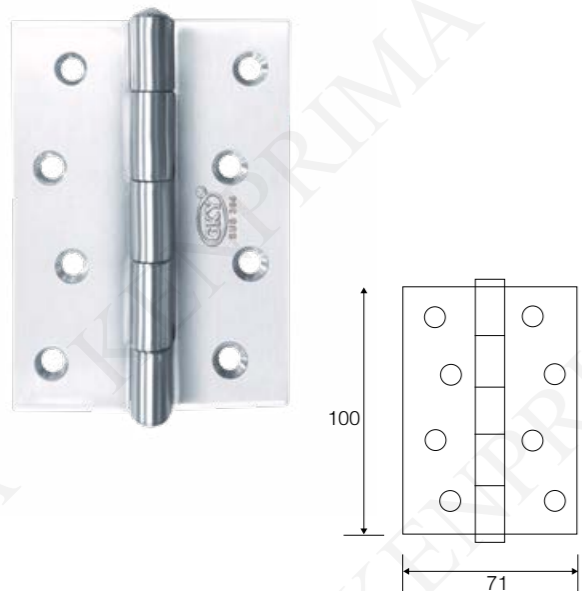
**Roller Shutter Lock
LRSL**



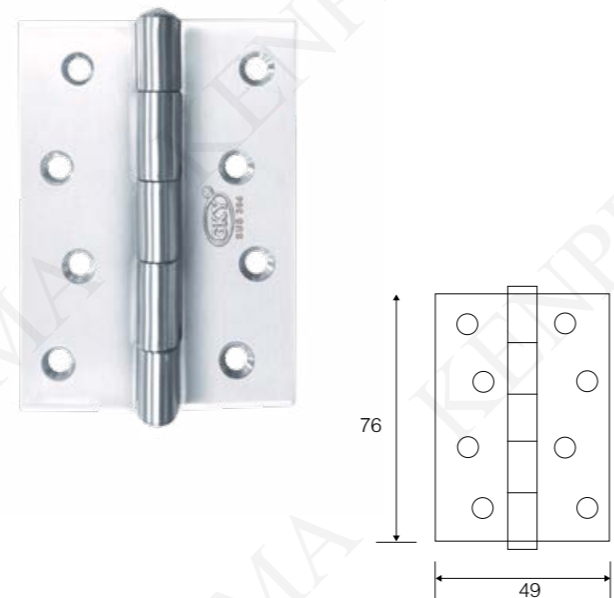
**Ground Lock (Small)
LGL-S**



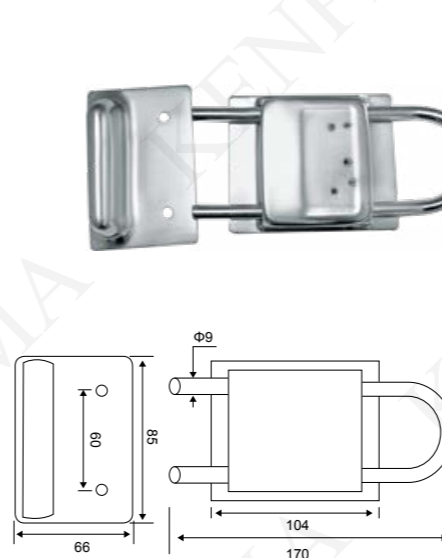
**GKY Door Hinge
H4X3GKY**



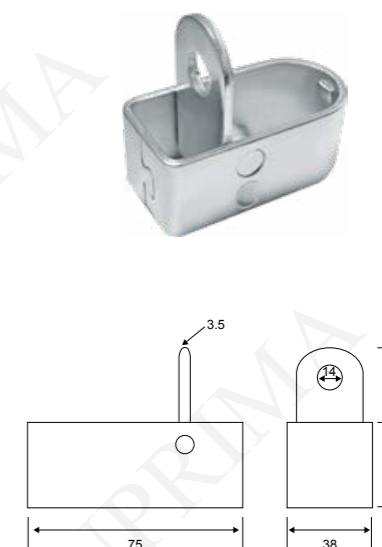
**GKY Door Hinge
H3X2GKY**



**Roller Shutter Middle Lock
LRS-ML**



**Ground Lock (Big)
LGL-B**



MODEL NO	SIZE	FINISHING	PACKING	(RM)/UNIT
H4X3-PMA	SUS 304	S/S	50prs/ctn	RM 31.50
H4X3-KEYE	SUS 202	S/S	50prs/ctn	RM 23.75
H3X2-GKY-SUS	SUS 304	S/S	120prs/ctn	RM 21.45
H3X2-GKY	SUS 202	S/S	120prs/ctn	RM 19.35
H4X3-GKY-SUS	SUS 304	S/S	96prs/ctn	RM 34.85
H4X3-GKY	SUS 202	Grey	96prs/ctn	RM 29.40

MODEL NO	SIZE	FINISHING	PACKING	(RM)/UNIT
LRSL	Steel	AB	80pcs/ctn	RM 22.50
LGL-S	Zinc	S/S	200pcs/ctn	RM 6.80
LRS-ML	Zinc	S/S	100pcs/ctn	RM 18.00
LGL-B	Zinc	S/S	100pcs/ctn	RM 8.80

MC-800

Acrylic Latex Sealant
 *Gap Filter Cabinte / Window Door Frame
 *Paintable
 *Superior Durability
 Color : White
 480g / Cartridge 24 Btls / Ctn
 600ml / sausage 20Sau / Ctn



MC-807

Acrylic Latex Sealant
 *Gap Filter Cabinte / Window Door Frame
 *Paintable
 *Superior Durability
 Color : White
 450g / Cartridge 24 Btls / Ctn



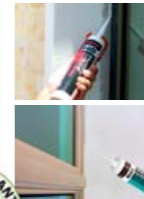
MS-601/MS603

MS Polymer Adhesive / Sealant
 *Metal Frames
 *Concrete
 *Coaches
 *Ship
 Color : White / Black / Grey
 290ml / Cartridge 24 Btls / Ctn
 600ml / Sausage 20 Sau / Ctn



SN-501

100% RTV Neutral Silicone
 *Glass and Metal
 *Polycarbonate
 *Fiberglass
 Color : Clear / White / Black / Grey
 300g / Cartage 24Tube / Ctn
 600ml / Sausage 20Pcs / Ctn



MS-609

MS Polymer Adhesive / Sealant
 *Hybrid Sily Modified Polyether Technology
 *Extra Fast Grip Up to 8 Kgs Without Support
 *Gluing of Mirror
 *Features Wall
 *Stripes
 Color : White
 290ml / Cartridge 24 Btls / Ctn
 600ml / Sausage 20 Sau / Ctn



SN-505

Kitchen & Bathroom Sealant
 *Anti - Fungus
 *Waterproof Seal
 Color : Clear / White
 300g / Cartridge 24 Btls / Ctn
 600ml / sausage 20Sau / Ctn



SN-502

All Weather Sealant
 *Metal Panel
 *Matt Finish
 Color : Matt Black /Matt Grey/ Matt White
 300g / Cartridge 24 Btls / Ctn
 600ml / sausage 20Sau / Ctn



MS-602

MS Polymer Sealant-LM
 *No Visible Stain Even On Porous Substrate
 *Excellent UV & Weather Resistant
 Color : Matt Black / Grey
 290ml / Cartridge 24 Btls / Ctn
 600ml / Sausage 20 Sau / Ctn



MC-201

Awning, Roofing and Skylight
 Color : White / Black / Grey
 300ml / Cartridge 24 Btls / Ctn
 400ml / Paper Cartridge 24 Btls / Ctn



MC-808

*Colofil Multi Color
 *Acrylic Gap Sealant
 Color : Lily-White / Barley / Beige /Cherry / Brown / Teak / Gray / Black / Coffee
 480g / Cartridge 24 Btls / Ctn



X' BOND

*Furniture, Panel
 *Styrene Safe
 *High Bond Stength
 *Fast and Easy Installation
 Color : Beige
 320g / Cartridge 24 Btls / Ctn



SPECTREM 2

High-Performance Silicone Sealant
 * 2 side structural glazing
 *Curtain Wall
 *Window Joints.
 Color : Black
 600ml / sausage 20Sau / Ctn



SA-107

Multi-Purpose Acetoxy Silicone
 *Glass to Glass
 Color : Clear / White / Black
 280ml / Cartridge 30 Btls / Ctn

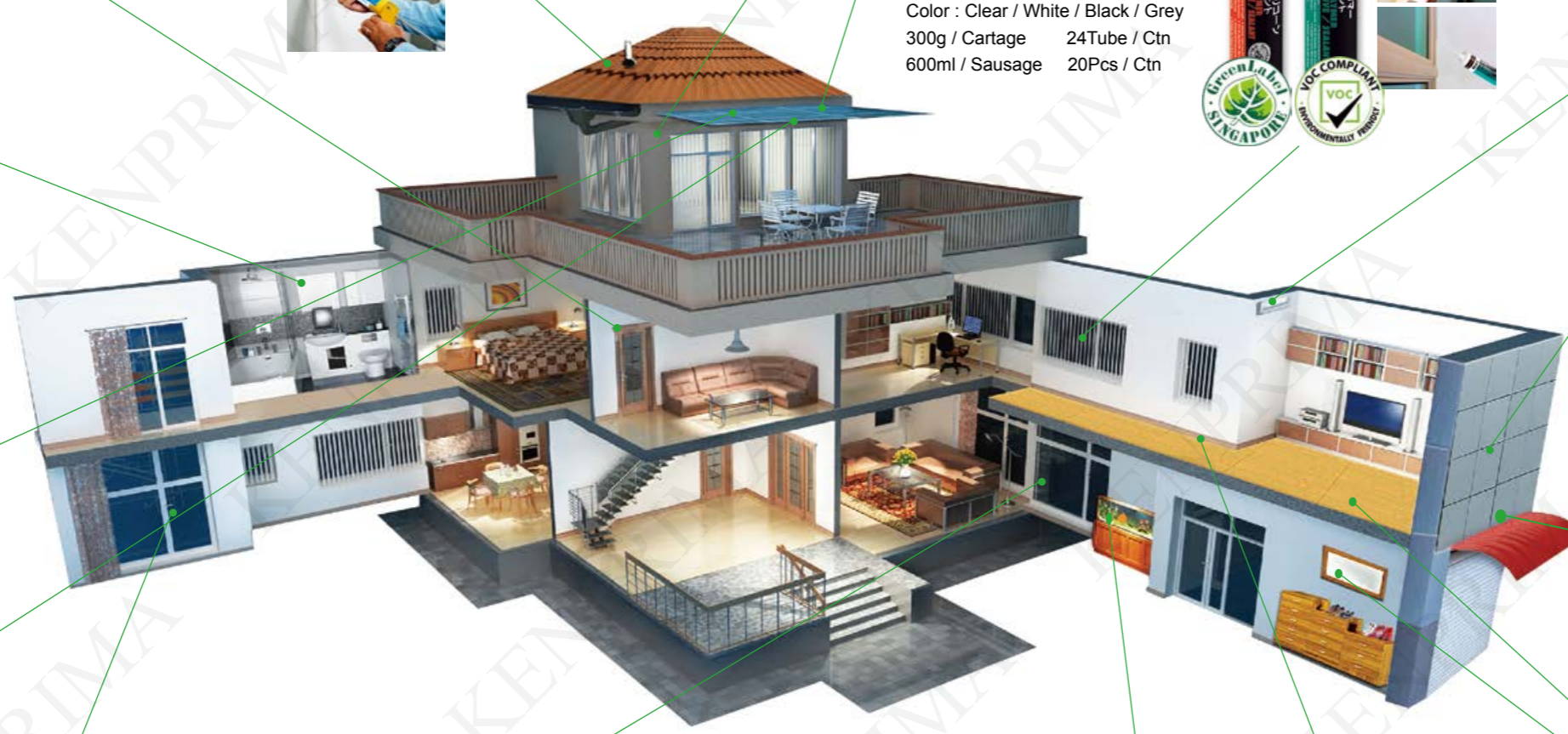


SA-103

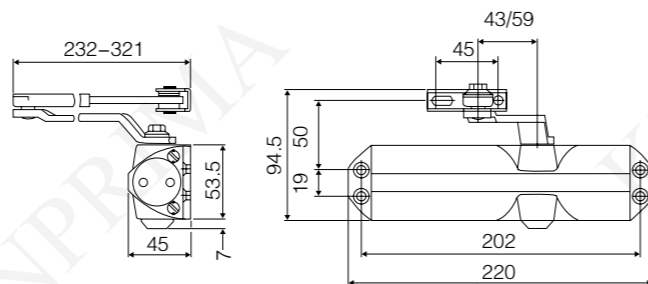
Multi-Purpose Acetoxy Silicone
 *Glass to Glass
 Color : Clear / White / Black / Grey
 300g / Cartridge 24 Btls / Ctn

SA-101

100% RTV Acetoxy Silicone
 *Aquarium
 *Glass to Glass
 *Excellent Adhesion
 Color : Clear / White / Black / Grey / Bronze / Aluminium
 300g / Cartridge 24 Btls / Ctn
 600ml / Sausage 20 Sau / Ctn



DORMA DOOR CLOSER TS-68



Selectable Closing Force : EN2/EN3/EN4
Max.Door Width : 1100mm
Closing & Latching Speed : Adjustable by valve
Hold-open Arm : Optional

The ideal low-cost solution for standard doors

With the DORMA TS 68, Dorma has developed a low-cost door closer which can be universally used on all common door types. It is particularly quick and easy to install and does not require a mounting backplate

The closer arm's power shoe and changes in templating allow easy selection of the closing force to suit various door sizes.



Plus points

For the trade

- The low cost solution for standard doors.
- Just one model for all mounting positions.

For the installer

- Non-handed unit.
- Quick and easy to install.
- Fixes perfectly to all door types without the need for a mounting backplate

For the specifier / architect

- Compact design.
- Inexpensive, proven reliability.

For the user

- Closing cycle largely unaffected by temperature changes.
- Two valves for optimum closing speed and reliable latching action.

DATA AND FEATURES		TS 68
Selectable closing force (variable via arm power shoe and templating)	Size	En 2/3/4
Door width	≤ 1100mm	-
External doors,outward opening		-
Non-handed		•
Arm typeS	limline	•
	Slide channel	-
Closing speed adjustable via 2 independent valves	° - 15° 15° - 0°	•
Backcheck		•
Delayed action		-
Hold-open		#
Weight in kg		1.4
Dimensions in mm	Length Overall depth Height	220 45 53.5
• Yes -No #Option		

TS-77

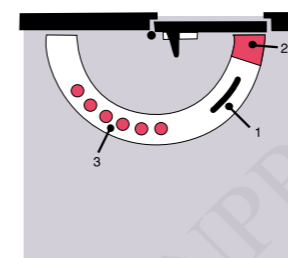


The economical solution for standard doors. Non-hanged, suitable for standard, parallel arm and frame installation.

Full controlled closing cycle. Surface finish for optimum corrosion protection.

DATA AND FEATURES		TS 68
Close forc	S size	3
Standard doors	950mm	•
External doors,opening outwards		-
Non-handed		•
Arm assembly type	Standard Slide channel	• -
Closing force variable at adjustment screw		-
Closing speed variable by valve adjustment		•
Backcheck		-
Delayed action		-
Hold-open		•
Weight in kg		1.3
Length		180
Dimensions in mm	Overall depth	65
Height		44
• Yes -No #Option		

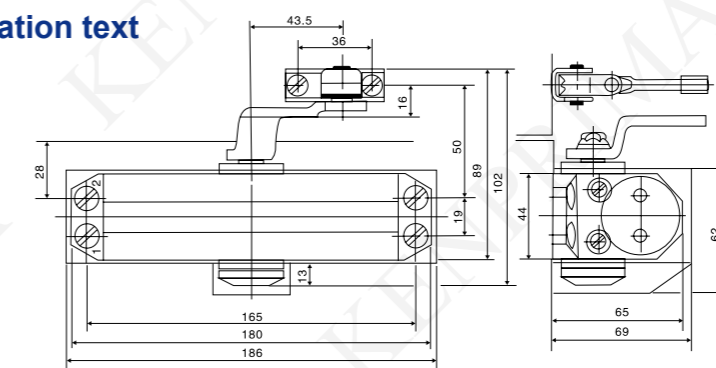
For applications involving particularly heavy doors and doors which have to close against wind resistance,we recommend the DORMA TS 83.



Standard and optional functions Example:left-hand(ISO 6)door,pull side fixing

- 1.Fully controlled closing with speed adjustable between 180° or 120° and 20°
- 2.Adjustable latching action adjustable between 20° and 0°
- 3.Hold-open range if equipped with hold-open arm (optional extra)

Specification text



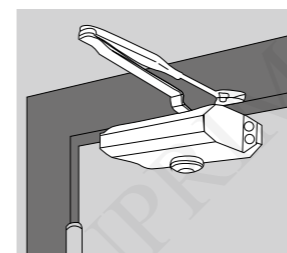
Rack-and-pinion door closer with hydraulically controlled latching cycle and non-handed.

Model:
□ Size 3
□ With hold-open arm

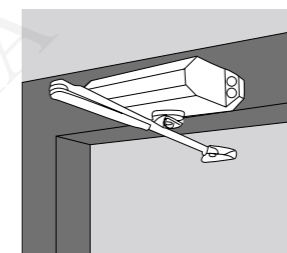
Accessories :
Closer Colour:
□ silver

Make:DORMA TS 77

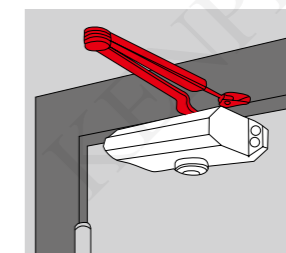
Applications and fixing



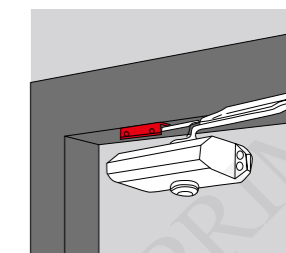
...on the pull side
Door leaf fixing (standard)



...on the pull side
Transom fixing
(overhead installation)



...with hold-open arm
assembly
for temporary door hold-
open(optional extra)

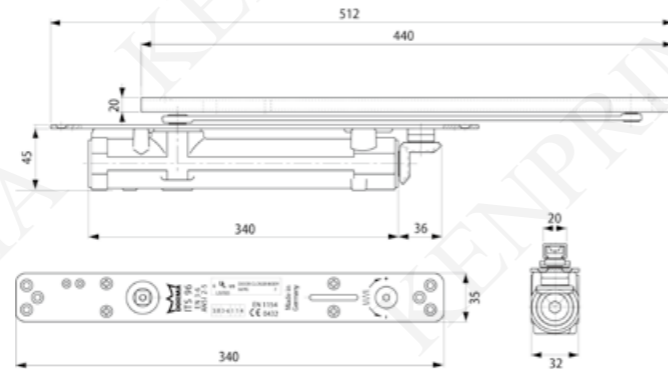


...parallel arm
for parallel arm assemblions
(for installation dimensions,
see fixing instructions)

DORMA CONCEAL DOOR CLOSER ITS 96(EN2-4)



Hold Open Module for ITS96



ITS-96 (EN2-3-4) Uncompromising technical Sophistication

The DORMA ITS 96 has ushered in a new era in door closer technology. The closer body and slide channel are so compact that they can be installed out of sight in doors and their frames. These devices offer the same high quality expected of DORMA door closers, as characterised by their ease of operation for the user, and wide range of functions. Thanks to the exceptionally

slender dimensions of the unit, the DORMA ITS 96 can be installed in virtually all doors with thicknesses of 40 mm or more, and offers all the advantages of quality assured manufacture with third-party auditing.



Plus points...

- ...for the trade
- Low inventory costs and reduced stocking requirements thanks to stream-lined modular system and separate packaging of closer body and slide channel assemblies.
- Tailor-made applications with special accessories.
- ...for the installer
- Non-handed system.
- Can be incorporated within the door pre-fabrication process, allowing complete installation in the factory.
- Easy adjustment of the closing strength, closing speed and latch action after hanging of the doors.

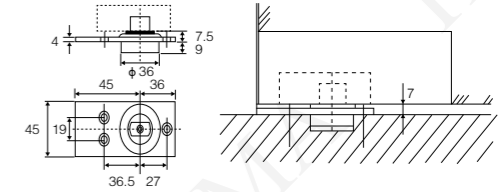
- ...for the specifier/architect
- Unblemished appearance of prestige doors thanks to concealed installation.
- Ideal for doors integral to the interior design.
- ...for the user
- Optimum protection against vandalism thanks to the concealed installation.
- Enhanced user convenience and fully controlled, reliable closing with adjustable latch action.
- Cushioned limit stay with progressive damping for protection of wall and door.

DATA AND FEATURES		ITS 96	
Variable closing force	Spring strength	EN 2-4	EN 3-6
Smoke check doors ¹⁾	up to 1100 mm up to 1400 mm	·	·
External doors, outward opening		-	-
Fire and smoke check doors	up to 1100 mm up to 1400 mm	·	·
Door leaf thickness	equal to/greater than 40 mm equal to/greater than 50 mm	·	·
Max. door leaf weight in kg		100	180
Non-handed design (closer)		·	·
Arm	Slide channel	·	·
Closing force variable by means of adjustable screw		·	·
Closing speed adjustable by means of valve		·	·
Latching speed adjustable by means of valve		·	·
Cushioned limit stay, mechanical		·	·
Delayed action		·	·
Hold-open		·	·
Max. door opening angle (depends on door design)		#	#
Weight in kg		1.3	2.5
Dimensions in mm	Length	277	291
	Width	32	39.5
	Height	42	51
Door closer tested to EN 1154 A		·	
Hold-open devices tested to EN 1155		·	
Hold-open devices tested to EN 1158		·	

Further information
Additional information about many of our products is available from a range of electronic media (internet, CD-ROM, diskettes). The abbreviated codes next to the computer symbol indicate the search terms.

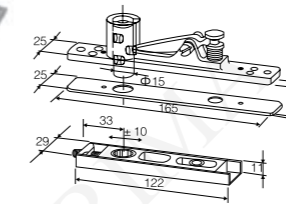
All the measurement by millimeter (mm)

7475 AX FLOOR PIVOT BEARING (300kg)

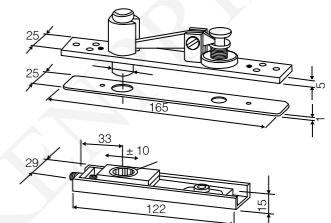


8062+8064 TOP CENTRE (120kg)

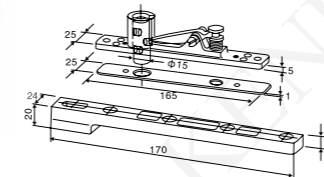
Aluminium Diecast



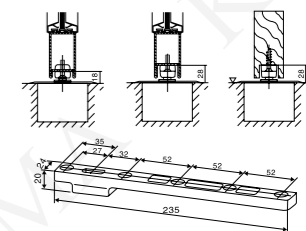
8066+8064 TOP CENTRE (300kg)-STEEL



AL ACCESSORIES (100kg)



7421 BOTTOM STRAP (300kg)



STANDARD EQUIPMENT AND ACCESSORIES

BTS 80 floor spring	BTS 75 V floor spring	Extended spindles (extension in mm)													
45200401	45200402	5	7,5	10	12,5	15	20	25	28	30	35	40	45	50	
		45200403	45200404	45200419	45200405	45200406	45200407	45200414	45200408	45200409	45200410	45200411	45200412		

SL 12 Glass Door

SL 12 Timber Door

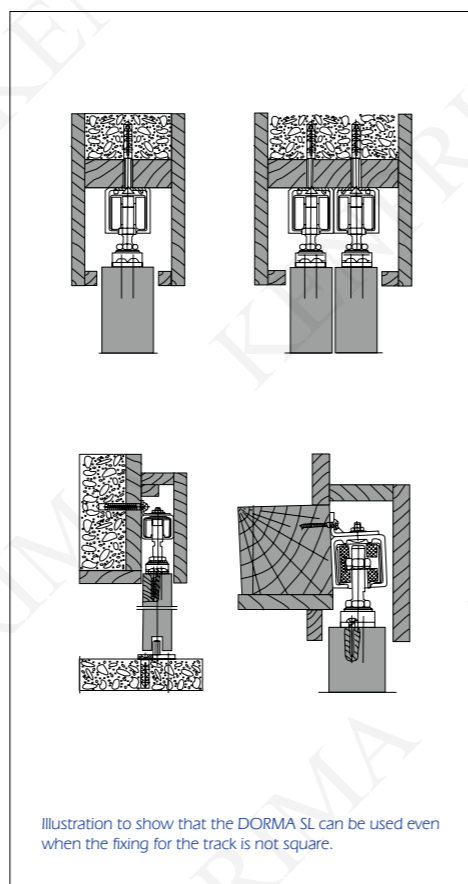
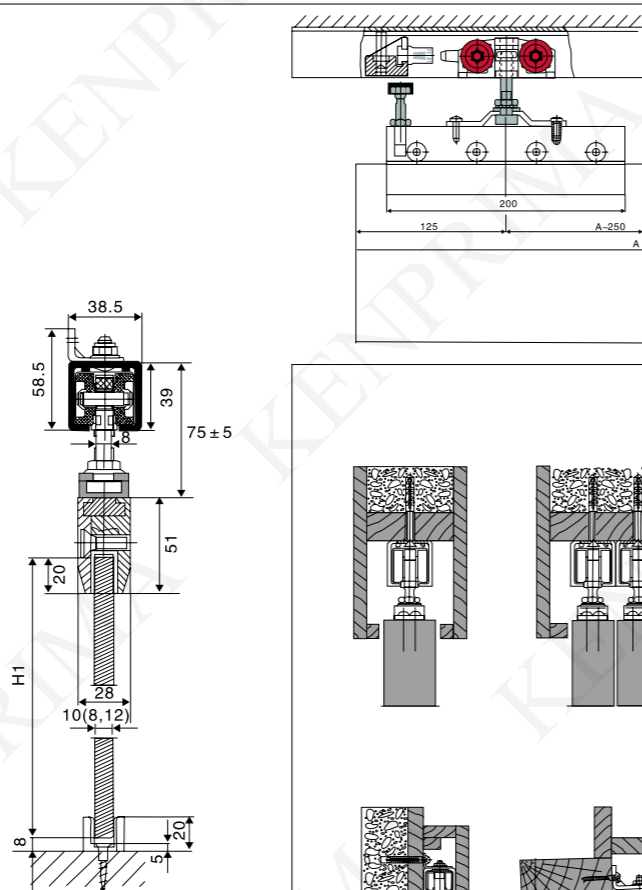
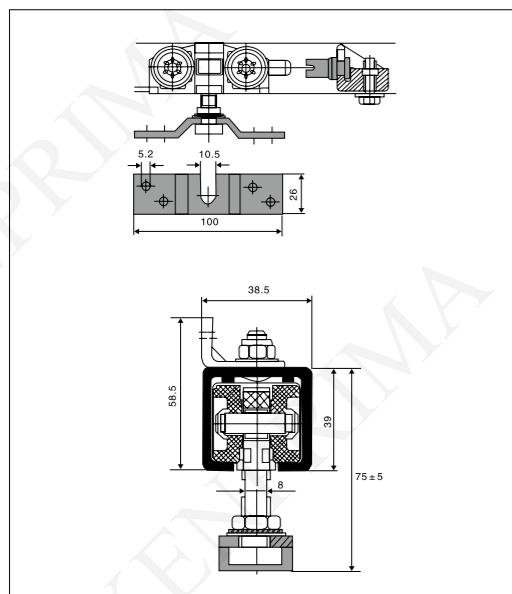
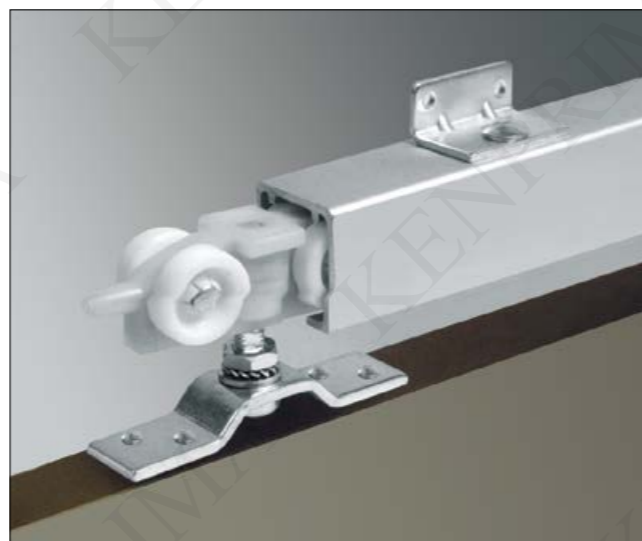


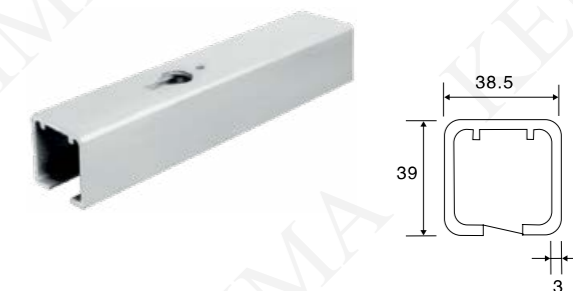
Illustration to show that the DORMA SL can be used even when the fixing for the track is not square.

Size	1	2	3	4
Door Width mm	710-900	910-1200	1210-1500	1510-1800
Track Length mm	1600	2000	2400	3000
Angle bracket for wall fixing per piece	6	6	8	8
Article No.	SL 12.2	SL 12.3	SL 12.4	SL 12.5

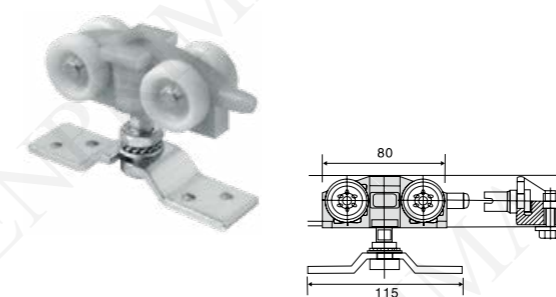
SL 12 Sliding Roller Set

Carrying capacities up to 120kg
2 meter track door leaf widths up to 900mm
3 meter track door leaf widths up to 1200mm
(2m & 3m roller set without MT00012 Glass Clamp)

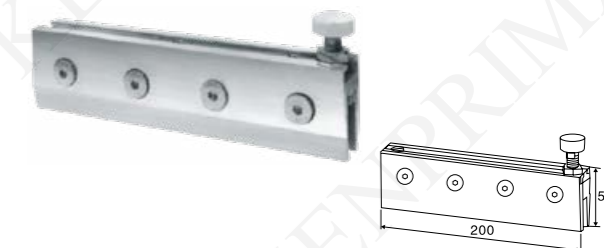
SL 12 Aluminium Track



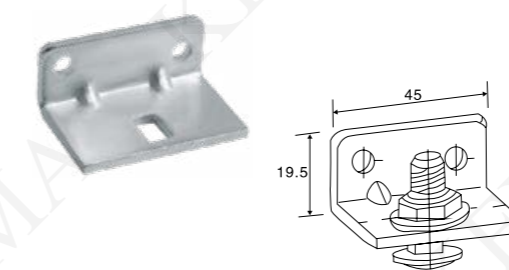
SL 12 Top Roller



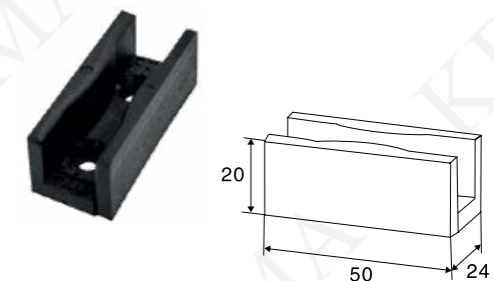
MT 00012 Glass Clamp



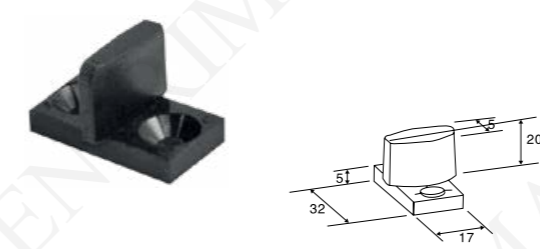
Side Fixing Bracket



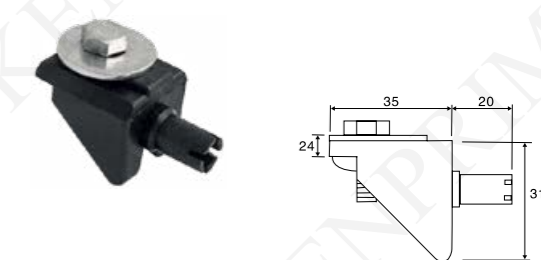
Floor Guide For Glass Door



Floor Guide

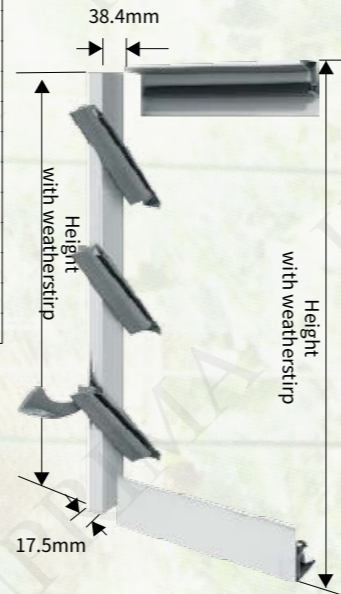


SL 12 Stopper



Heights for 102mm Blade Louvre Gallery		
NO.of Blades	Height(mm) No Weatherstrip	Height(mm) No Weatherstrip
3	310	320
4	400	410
5	490	500
6	580	590
7	670	680
8	760	770
9	850	860
10	940	950
11	1030	1040
12	1120	1130
13	1210	1220
14	1300	1310
15	1390	1400
16	1480	1490
17	1570	1580
18	1660	1670
19	1750	1760
20	1840	1850
21	1930	1940
22	2020	2030
23	2110	2120
24	2200	2210
25	2290	2300
26	2380	2390
27	2470	2480
28	2560	2570
29	2650	2660
30	2740	2750
31	2830	2840
32	2920	2930
33	3010	

Heights for 152mm Blade Louvre Gallery		
NO.of Blades	Height(mm) No Weatherstrip	Height(mm) No Weatherstrip
2	320	330
3	460	470
4	600	610
5	740	750
6	880	890
7	1020	1030
8	1160	1170
9	1300	1310
10	1440	1450
11	1580	1590
12	1720	1730
13	1860	1870
14	2000	2010
15	2140	2150
16	2280	2290
17	2420	2430
18	2560	2570
19	2700	2710
20	2840	2850
21	2980	2990



Altair 102mm Standard Handle		
NO.of Blades	Height(mm) No Weatherstrip	Height(mm) No Weatherstrip
3	292	297
4	381	386
5	470	475
6	559	564
7	648	653
8	737	742
9	826	831
10	915	920
11	1004	1009
12	1093	1098
13	1182	1187
14	1270	1276
15	1360	1365
16	1449	1454
17	1538	1543
18	1627	1632
19	1716	1721
20	1805	1810
21	1894	1899
22	1983	1988

Altair 152mm Standard Handle		
NO.of Blades	Height(mm) No Weatherstrip	Height(mm) No Weatherstrip
2	304	309
3	444	449
4	584	589
5	724	729
6	864	869
7	1004	1009
8	1144	1149
9	1284	1289
10	1424	1429
11	1564	1569
12	1704	1709
13	1844	1849
14	1984	1989
15	2124	2129



Louvre Channel



Louvre Blade Clips



The louvre channel is made from 6063-T5 extruded aluminium with a UV-stabilised acetal handle. The handle has been designed to spring back to its normal position, even when severely bent. The operating mechanism has passed a stringent 30,000 open and close cycle test



The blade holder design prevents easy removal of the blade when it's in the locked position and also conceals all the fixing screws. The blade holders are made from high strength UV-stabilised polypropylene plastic which gives the clips flexibility without sacrificing your security

Materials



The Palmair Louver has an attractive, uncluttered design with a smooth operation and a compact appearance. Made with non-corrosive materials, including aluminum, stainless steel and UV-stabilized polypropylene and acetal plastic. This ensures a much longer life in a harsh climatic environment than the old steel louvers

Weatherstrip

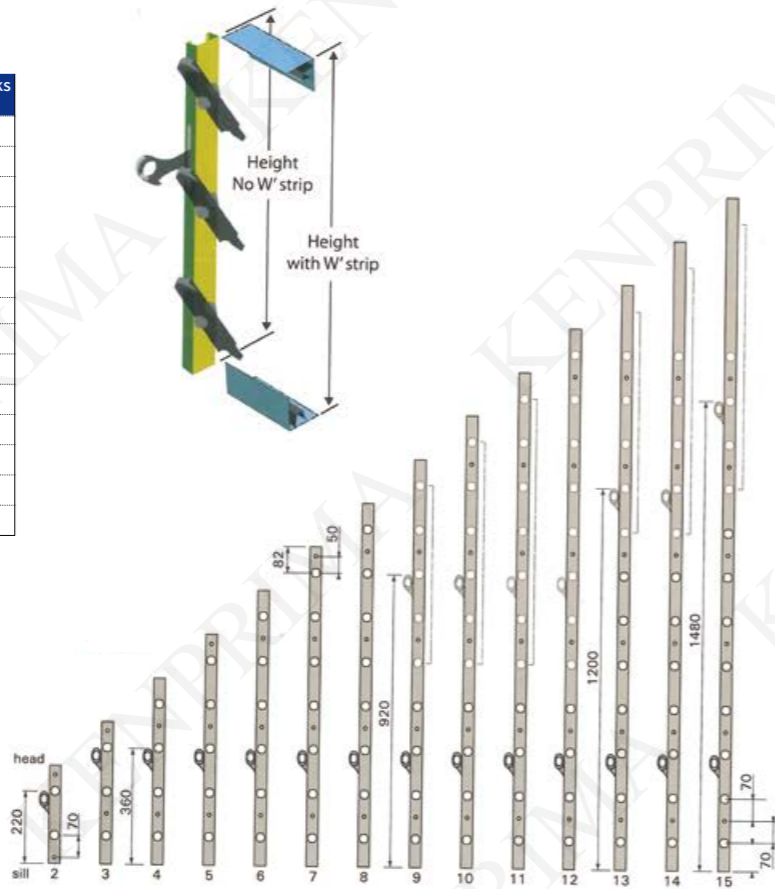


The Weatherstrip seals along the blade to prevent wind and water entering the home. Head and sill Weatherstrip are essential to ensure the highest weather resistance possible

Louvre Gallery Heights And Handle Positions

Palmair™ 152mm Standard Handle

NO. of Blades	Height(mm) No W'strip	Height(mm) No W'strip	Blades Controlled in Banks from Sill Upwards	
2	304	309	2	
3	444	449	3	
4	584	589	4	
5	724	729	5	
6	864	869	6	
7	1004	1009	7	
8	1144	1149	8	
9	1284	1289	4	5
10	1424	1429	4	6
11	1564	1569	4	7
12	1704	1709	4	8
13	1844	1849	6	7
14	1984	1989	6	8
15	2124	2129	8	7



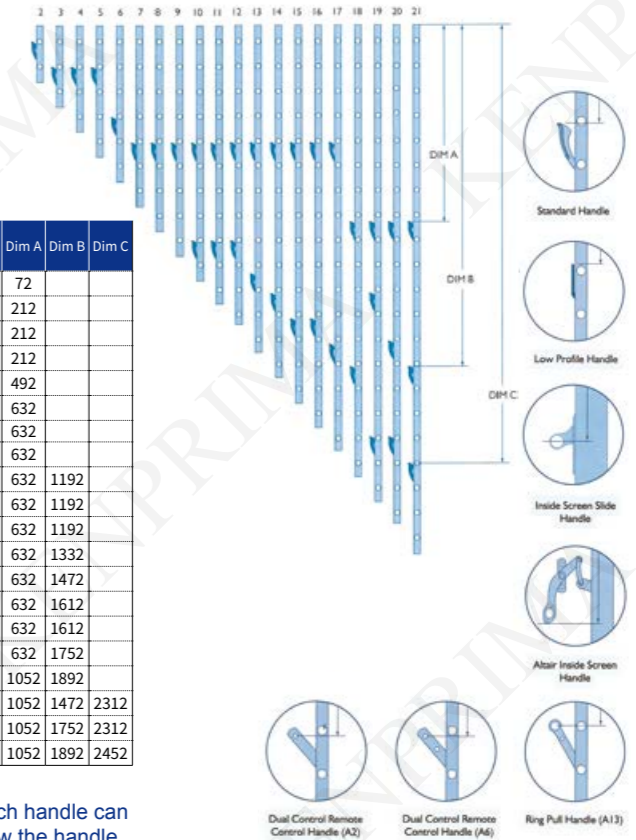
Altair® 152mm Louvre Standard Handle Positions

Formulas For Other Handle Positions

- 1.Low profile Handle Position
- 2.Inside Screen Slide Handle
- 3.Inside Screen Handle Position
- 4.Ring Handle Position
- 5.Single Control Remote Control
- 6.Dual Control Remote Control Control

- =Standard Handle Position-3mm
- =Standard Handle Position+3mm
- =Pleasacall Breezway Sales for more information
- =Standard Handle Position+18mm
- =Standard Handle Position+45mm
- =Standard Handle Position+18mm

NO. of Blades	Banks of Blades Controlled from Head Downward	Channel Length	Dim A	Dim B	Dim C		
2	2	320	72				
3	3	460	212				
4	4	600	212				
5	5	740	212				
6	6	880	492				
7	7	1020	632				
8	8	1160	632				
9	9	1300	632				
10	7	3	1440	632	1192		
11	7	4	1580	632	1192		
12	7	5	1720	632	1192		
13	8	5	1860	632	1332		
14	9	5	2000	632	1472		
15	7	8	2140	632	1612		
16	7	9	2280	632	1612		
17	8	9	2420	632	1752		
18	9	9	2560	1052	1892		
19	9	4	6	2700	1052	1472	2312
20	9	6	5	2840	1052	1752	2312
21	9	7	5	2980	1052	1892	2452



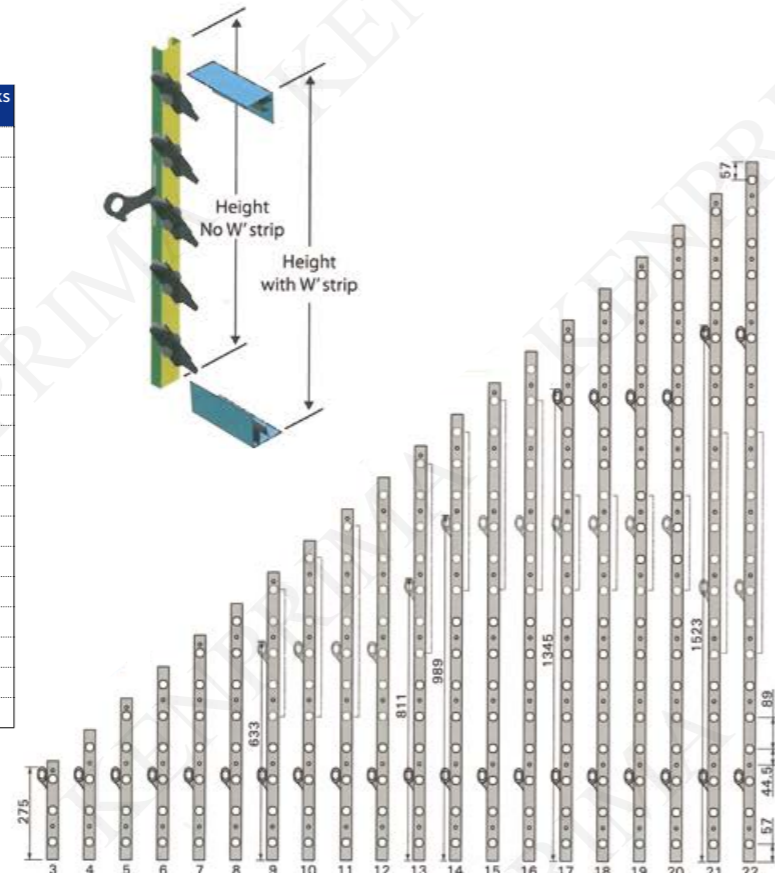
Note :

- Additional handles can be specified or relocated to another position. Each handle can operate a maximum of nine dips including at least one clip directly below the handle. Relocated keylocks are not available.

Louvre Gallery Heights And Handle Positions

Palmair™ 102mm Standard Handle

NO. of Blades	Height(mm) No W'strip	Height(mm) No W'strip	Blades Controlled in Banks from Sill Upwards		
3	292	297	3		
4	384	386	4		
5	470	475	5		
6	559	564	6		
7	648	653	7		
8	737	742	8		
9	826	831	4	5	
10	915	920	4	6	
11	1004	1009	4	7	
12	1093	1098	4	8	
13	1182	1187	6	7	
14	1271	1276	8	6	
15	1360	1365	8	7	
16	1449	1454	8	8	
17	1538	1543	8	4	5
18	1627	1632	8	4	6
19	1716	1721	8	4	7
20	1805	1810	8	4	8
21	1894	1899	6	8	7
22	1983	1988	6	8	8



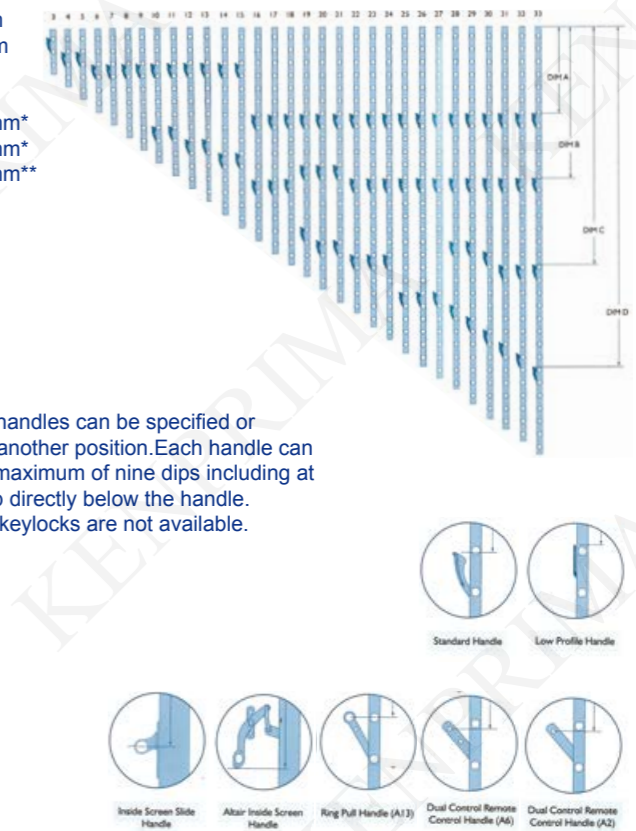
Altair® 102 Louvre Standard Handle Positions

Formulas For Other Handle Positions

- 1.Low profile Handle Position
- 2.Inside Screen Slide Handle Position
- 3.Inside Screen Handle Position
- 4.Ring Handle Position
- 5.Single Control Remote Control
- 6.Dual Control Remote Control

- =Standard Handle Position-8mm
- =Standard Handle Position+3mm
- =Pleasacall Breezway Sales for more information
- =Standard Handle Position+ 15mm*
- =Standard Handle Position+ 15mm*
- =Standard Handle Position+42mm**

NO. of Blades	Banks of Blades Controlled from Head Downward	Channel Length	Dim A	Dim B	Dim C	Dim D			
3	3	310	88						
4	4	400	178						
5	5	490	178						
6	6	580	268						
7	7	670	268						
8	8	760	268						
9	9	850	268						
10	6	4	940	268	718				
11	6	5	1030	268	718				
12	6	6	1120	268	808				
13	6	7	1210	268	808				
14	7	7	1300	268	898				
15	7	8	1390	268	1078				
16	9	7	1480	628	1078				
17	9	8	1570	628	1078				
18	9	9	1660	628	988	1438			
19	9	5	5	1750	628	988	1528		
20	9	5	6	1840	628	988	1528		
21	9	5	7	1930	628	1078	1618		
22	9	6	7	2020	628	1078	1618		
23	9	7	8	2110	628	1078	1618		
24	9	6	9	2200	628	1078	1888		
25	9	9	7	2290	628	1078	1888		
26	9	9	8	2380	628	1078	1888		
27	9	9	9	2470	628	1078	1528		
28	9	6	4	9	2560	628	1078	1528	1978
29	9	6	5	9	2650	628	1078	1618	2068
30	9	7	5	9	2740	628	1078	1708	2158
31	9	7	6	9	2830	628	1078	1708	2248
32	9	7	7	9	2920	628	1078	1708	2338
33	9	7	8	9	3010	628	1078	1708	2428



Note :

- Additional handles can be specified or relocated to another position. Each handle can operate a maximum of nine dips including at least one clip directly below the handle. Relocated keylocks are not available.

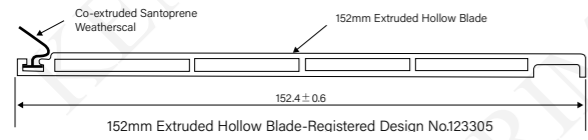
Extruded Aluminium Blades

Extruded Hollow Blades are available in Polyester powder paint finishes (minimum 50 micron finish) to a standard colour range or Anodised (minimum 1.5 micron finish). Unique finishes are available on request

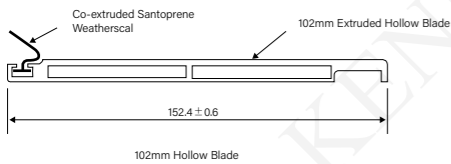
Perf or mance

This louvre blade with weatherseal conforms to NATA certifications covering water penetration to AS-2047. Refer to Palmair T M product performance warranty for details

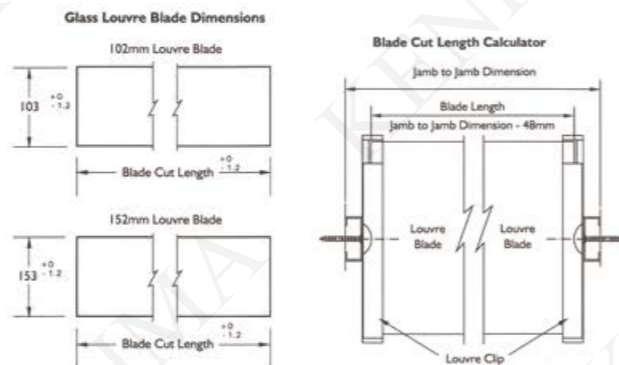
152mm Extruded Hllow Blade



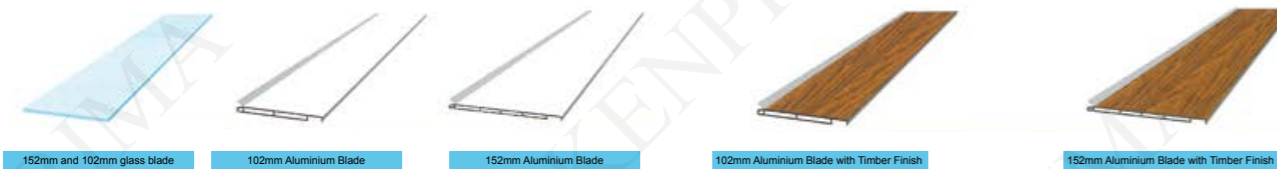
102mm Extruded Hllow Blade



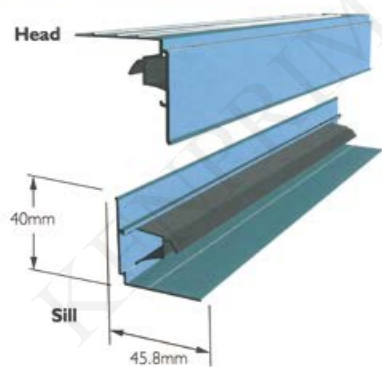
Blade Dimensions



Palmair™ Louvre Blades



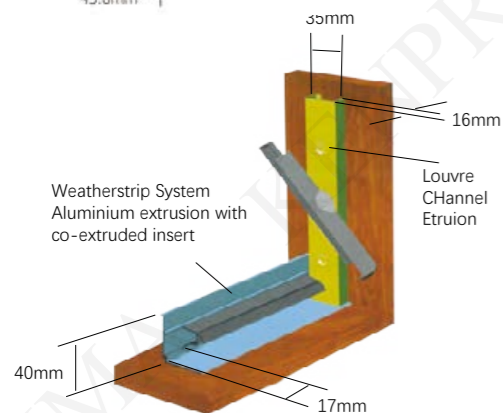
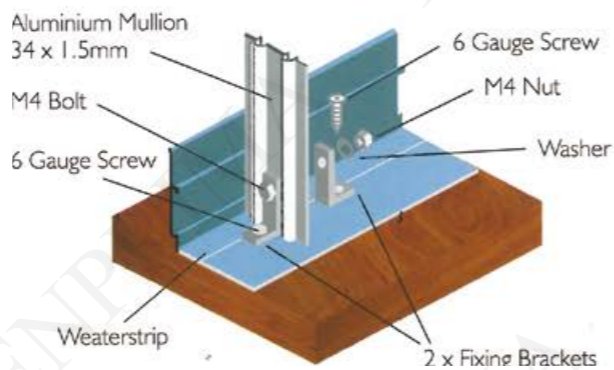
Palmair™ Louvre WEATHERSTRIP



Notes:

Weatherstrip for Head and Sill must be used to gain manufacturer's Performance Warranty . Palmair TM Louvre Gallery is positioned on top of the weatherstrip, adding 5mm to the overall internal window height 35mm

Fixing Brackets for Palmair™ Mullions



Corner of louvre Window Assembly Detail

Bracket Details for light Duty Mullion



Standard Handle



Designed to fit the contours of the human hand for easy use.

Low Profile Handle



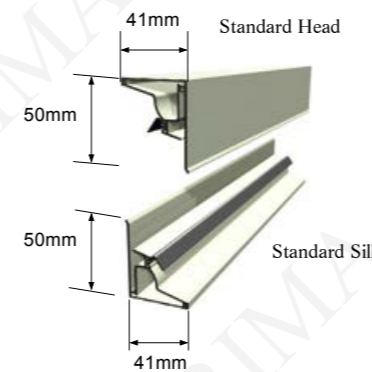
Low Profile Handle is design for bi-fold and same sliding doors. The unique shape and styling provides a slim line and functional fit that won't snag curtains or get in the way of blinds.

Ring Pull Handle



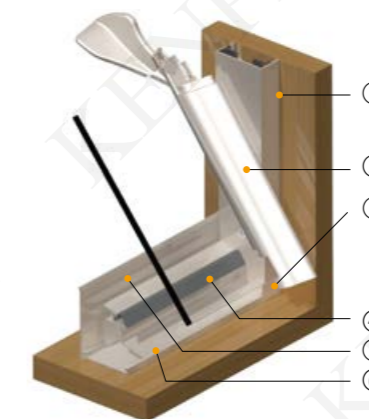
Ring pull handle are offered for up-high and out-of-easy-reach louve placement.

Standard Height Louvre Weatherstrip



- ① Gallery mounts onto top of weatherstrip
- ② Clip
- ③ Corner of weatherstrip notched for drainage

Map Rod









- ④ Co-extruded Weatherseal
- ⑤ Weatherstrip
- ⑥ Aluminium Weatherstrip insert



Map rod used in conjunction with the ring pull handle when installed out of arm's reach. *2m,3m and 4m set lengths *1.8m-3.6m telescopic length

					
000	001	002	003	004	005
1x1 Hollow	3/8 Plug	1½ Skid	Stopper	Grill Bracker	Grill Inner
500 pcs/pkt	1,000 pcs/pkt	1,000 pcs/pkt	100 pcs/pkt	1,000 pcs/pkt	100 pcs/pkt
Color:Black	Color : Grey / White / Black	Color : White / Black	Color : White / Black	Color : Black	Color : Black
Price:RM 0.23/pcs	Price:RM 0.06/pcs	Price:RM 0.06/pcs	Price:RM 1.05/pcs	Price:RM 0.072	Price:RM 0.39/pcs







					
008	009	011	012	014	015
1 x 1 ½ Hollow Bracket	Sub Frame Corner Bracket	Insert Screen Button H	Insert Screen Button L	Handle Bracket	1 x 1 Inner
100 pcs/pkt	100 pcs/pkt	1,000 pcs/pkt	1,000 pcs/pkt	100 pcs/pkt	100 pcs/pkt
Color : Black	Color : Black	Color : White	Color : White	Color : Black/White/Grey	Color : Black
Price:RM 0.32/pcs	Price:RM 0.30/pcs	Price:RM 0.07/pcs	Price:RM 0.07/pcs	Price:RM 1.65/pcs	Price:RM 0.52/pcs

					
015C	016	016C	017	017C	018
1 x 1 Outer Corner Bracket	3/4 x 1 1/4 Inner Corner Bracket	3/4 x 1 1/4 Outer Bracket	3/4 x 1 ½ Inner Bracket	3/4 x 1 ½ Outer Bracket	3/4 x 1 3/4 Inner Bracket
100 pcs/pkt	100 pcs/pkt	100 pcs/pkt	100 pcs/pkt	112 pcs/pkt	80 pcs/pkt
Color : Grey / Black	Color : Black	Color : Grey / Black	Color : Black	Color : Grey / Black	Color : Black
Price:RM 0.95/pcs	Price:RM 0.52/pcs	Price:RM 0.99	Price:RM 0.75/pcs	Price:RM 1.45/pcs	Price:RM 0.94/pcs

					
018C	019	020	022	023	024
3/4 x 1 3/4 Outer Bracket	1 x 1 ½ Inner Bracket	1 x 3 Hollow Brackerk	1 x 2 ½ Hollow Brackerk	1 x 2 Hollow Brackerk	1 x 1 ½ Outer Corner Bracket
98 pcs/pkt	80 pcs/pkt	100 pcs/pkt	100 pcs/pkt	100 pcs/pkt	100 pcs/pkt
Color : Grey / Black	Color : Black	Color : Black	Color : Black	Color : Black	Color : Grey / Black
Price:RM 1.60/pcs	Price:RM 0.94/pcs	Price:RM 0.38/pcs	Price:RM 0.35/pcs	Price:RM 0.30/pcs	Price:RM 1.00/pcs

					
024C	025	025C	026	026C	027
1 x 1 ½ Outer Corner Bracket	1 x 2 Outer Corner Bracket	1 x 2 Outer Corner Bracket	1 x 2 ½ Outer Corner Bracket(L)	1 x 2 ½ Outer Corner Bracket	1 x 3 Outer Corner Bracket(L)
80 pcs/pkt	60 pcs/pkt	60 pcs/pkt	48 pcs/pkt	48 pcs/pkt	40 pcs/pkt
Color : Grey / Black	Color : Grey / Black	Color : Grey / Black	Color : Grey / Black	Color : Grey / Black	Color : Grey / Black
Price:RM 1.10/pcs	Price:RM 1.35/pcs	Price:RM 1.35/pcs	Price:RM 1.80/pcs	Price:RM 1.65/pcs	Price:RM 2.15/pcs

					
027C	028	029	030	033	036
1 x 3 Outer Corner Bracket(L)	Casemetn T Bracket	Casemetn H Bracket	3/4 x 1 1/4 Handle Bracket	Insert Screen Corner Bracket	Japan Gill Corner Bracket With Roller
40 pcs/pkt	500 pcs/pkt	1,000pcs/pkt	100pcs/pkt	200pcs/pkt	100pcs/pkt
Color : Grey / Black	Color :Black	Color :Black	Color :Black	Color : Grey / Black	Color :Black
Price:RM 2.00/pcs	Price:RM 0.16/pcs	Price:RM 0.13/pcs	Price:RM 0.26/pcs	Price:RM 0.40/pcs	Price:RM 0.84/pcs

					
037	040	041	042	045	048
Japan Gill Corner Bracket Without Roller	Grill Outer Frame Corner Bracket	Grill Outer Frame Corner Bracket	Grill Outer Frame Corner Bracket	Basin Cabinet Door Corner Bracket	Basin Cabinet Door Corner Bracket
100pcs/pkt	100pcs/pkt	100pcs/pkt	100pcs/pkt	40pcs/pkt	40pcs/pkt
Color : Black	Color : Grey / Black	Color : Grey / Black	Color : Grey / Black	Color : Black	Color : Black
Price:RM 0.80/pcs	Price:RM 1.00/pcs	Price:RM 1.00/pcs	Price:RM 1.00/pcs	Price:RM 1.05/pcs	Price:RM 1.05/pcs

					
047	050	051C	052	054	055
Casement Inter Bracket	1 ¼ x 2 ½ Casement Outer Bracket	1½ Skid PMB L Corner Bracket	New Basin Cabinet Door Corner Bracket	LB Cabinet Bracket	SKB Cabinet Bracket
100pcs/pkt	100pcs/pkt	100pcs/pkt	64pcs/pkt	100pcs/pkt	100pcs/pkt
Color : Black	Color : Black	Color : Black	Color :Grey/ Black	Color : Black	Color : Black
Price:RM 1.10/pcs	Price:RM 1.70/pcs	Price:RM 2.15/pcs	Price:RM 1.25/pcs	Price:RM 2.05/pcs	Price:RM 2.15/pcs

					
056	340	340C	340C Clon	341	341C
New Cabinet Bracket (045&048)	Three Way Bracket	Three Way Bracket	Color : Chrome	Three Way Brack	Super Cabinet Bracket
60pcs/pkt	Color : Grey / Black	Color : Grey / Black	60pcs/pkt	Color : Grey / Black	50pcs/pkt
Color : Grey	Price:RM 1.30/pcs	Price:RM 1.65/pcs	Price:RM 3.00/pcs	Price:RM 1.30/pcs	Color : Grey / Black
Price:RM 1.26/pcs					Price:RM 1.65/pcs

					
350	351	380	057	058	059
Corner Bracket Grill With Swing Door	Grill Corner Bracket	Super Cabinet Bracket	1 x 2 Inter Corner Bracket	1 x 2 ½ Inter Corner Bracket	1 x 3 Inter Corner Bracket
20pcs/pkt	200pcs/pkt	100pcs/pkt	60pcs/pkt	50pcs/pkt	40pcs/pkt
Color : Black	Color : Grey / Black	Color :Black	Color :Black	Color :Black	Color :Black
Price:RM 5.00/pcs	Price:RM 0.95/pcs	Price:RM 2.05/pcs	Price:RM 2.15/pcs	Price:RM2.35/pcs	Price:RM2.50/pcs



V 015

1" x 1 1/2" Cover Bracket
Color:Black/Grey/White
100 ocs/pkt
Price:RM 0.90/pcs



V 018

1" x 1 1/2" Cover Bracket
Color:Black/Grey/White
100 ocs/pkt
Price:RM 1.20/pcs



V 009

1" x 1 1/2" Cover Bracket
Color:Black/Grey/White
100 ocs/pkt
Price:RM1.25/pcs



V 010

1" x 1 1/2" Cover Bracket
Color:Black/Grey/White
100 ocs/pkt
Price:RM 1.50/pcs



V 011

1" x 3" Cover Bracket
Color:Black/Grey/White
100 ocs/pkt
Price:RM1.70/pcs



V 014

1" x 4" Cover Bracket
Color:Black/Grey/White
100 ocs/pkt
Price:RM2.15/pcs



V 013

1 6/8" x 3" Cover Bracket
Color:Black/Grey/White
100 ocs/pkt
Price:RM 2.35/pcs



V 016

2" x 4" Cover Bracket
Color:Black/Grey/White
50 ocs/pkt
Price:RM 4.30/pcs



V 012

1 1/2 x 4" Cover Bracket
Color:Black/Grey/White
50 ocs/pkt
Price:RM 2.60/pcs



V 017

2" x 2" Cover Bracket
Color:Black/Grey/White
100 ocs/pkt
Price:RM 2.15/pcs



V 019

3/4" x 2" Hollow Bracket
Color:Black
100 ocs/pkt
Price:RM 1.20/pcs



V 001

Cabinet Board Insert Bracket
Color:Black
100 ocs/pkt
Price:RM 1.35/pcs



V 007

Casement Bracket
Color:Black/Grey/White
200 ocs/pkt
Price:RM 1.35/pcs



V 006

Casement Bracket
Color:Black/Grey/White
100 ocs/pkt
Price:RM 2.20/pcs



V 008

Cabinet L Bracket
Color:Black/Grey/White
100 ocs/pkt
Price:RM 2.40/pcs

KD 305-230V Mitre Saw Machine



Origin : Turkey
Withtout saw blade
Motor Warranty 3 Months Only.

KD 350M-230V/400V Mitre Saw Machine



Origin : Turkey
C/W : 1 Piece of new Saw Blade 350*3.2/3.5*30*108T
Motor Warranty 6 Months Only.

KD 400M-230V/400V Mitre Saw Machine



Origin : Turkey
C/W : 1 Piece of new Saw Blade 400*3.8/3.2*30.108T
Motor Warranty 6 Months Only.

FR222-230V Copy Router Machine



Origin : Turkey
C/W : 1 FLUTE Endmill 4*25*8*60L
Motor Warranty 2 Months Only.

FR221S-230V/400V Copy Router Machine



Origin : Turkey
C/W : 1 FLUTE Endmill 4*25*8*60L
12 Months warranty ahaints manufacturing defect except wear & tear parts.

KM211-230V/400V Milling Machine



Origin : Turkey
Without Cutter
12 Months warranty againts manufacturing defect except wear & tear parts.

MODEL NO	VOLTAGE	DESCRPTION	PACKING	(RM)/UNIT
KD-305	230V	12"Mitre Saw Ma chine	1unit/ctn	RM 8400.00
KD-350	230V/400V	14"Mitre Saw Ma chine	1unit/ctn	RM 19,740.00
KD-400	230V/400V	16"Mitre Saw Ma chine	1unit/ctn	RM 21,560.00
KD-222	230V	Copy Router Machine	1unit/ctn	RM 9,800.00
FR-221-S	230V/400V	Copy Router Machine	1unit/ctn	RM 29,470.00
MK-211	230V/400V	Milling Machine	1unit/ctn	RM 19,600.00

MACHINE 1600



Specification & Function
Punch Hole For LB Section & Alcom Section
Price: RM 3,395.00

MACHINE 1700



Specification & Function
Punch Hole For Gap For Sliding Window. Open Gap "I" Outer Standing
Price: RM 3,180.00

MACHINE 1800



Specification & Function
Open Gap For Std & Eco. Sliding Door & Window
Price: RM 3,395.00

MACHINE 1900



Specification & Function
Punch Holes For Inner Frame & Open Gaps For Outer Frame & Center Mullion Casement Window
Price: RM 3,395.00

MACHINE 2000LB (SQ)/(R) MACHINE 2000 PMB



Punch Holes & Open Gaps For Multipoint Casement Window LB(round) or LB(square) or PMB Inner & Outer corner
Price: RM 3,850.00

MACHINE 2004LB (2in 1) PMB & LB



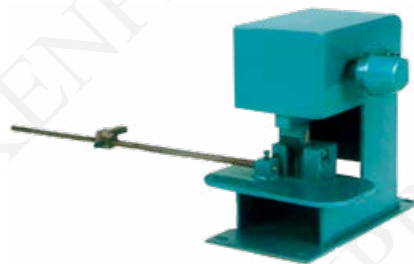
Punch Holes & Open Gaps For Multipoint Casement Window Inner & Outer Corner Bracket
Price: RM 4,550.00

MACHINE 2100



Specification & Function
Punch Holes For Casement Window Outer Frame
Price: RM 2,275.00

MACHINE 2500



Specification & Function
Open Gap For H Bar
Price: RM 3,010.00

MACHINE 2800



Specification & Function
Punch Holes For Std & Eco. Sliding Door & Window
Price: RM 3,395.00

W8500 COPY ROUTER MACHINE



Product Details :

It can be utilized for outlining wall materials for aluminum curtains as well as window materials of varied from via openings;utilize the openings by Shape 1:1 template ratio and copy to work. Table takes up casting rugged, absence of deformation,tape feed tool which is exceptionally formed, which can enhance the processing completion and prolonged lifespan of the device.

Technical Parameters

Minimum Bending Radlus : 300mm	Maximum Travel Route If Upper Roller : 100m
Maximum Diameter Of Mould : 100mm	Maximum Width Of Upper Roller : 95mm
Diameter Of Roller : 38mm	Operating Voltage : 415V/230V
Driving Mode : Linkage of motor with one gear case	Metor Power : 1.5kw
Working Mode : Manual adjustment	Dimension(LxWxH) : 490x630x1380
Center Dlstance Of Rollers : 180mm,360mm	Machine Weight : 180kg
Positioning Precision Of Upper Roller : 0.3mm	Price: RM 19,600.00



M3500A AIR PRESS MINI COPY ROUTER MACHINE



Product Details :

It can be utilized for structuring wall materials of aluminum and window materials of numerous forms via holes.Utilize the holes using Shape 1:1 template; ratio copy router to work.Table takes up casting rugged,no deformation,particularly formed.Tool for speed tape feed.It can enhance the procedure for finishing and prolong durability of device.

Technical Parameters

Table Size : 620x260mm	Drilling Aperture(Porous) : φ3 / φ15mm
Maximum Distance Emdmills Left Right : 230mm	Binder Cylinder Stroke : 0-100mm
Maximum Distance Moves Back & Forth Bet : 80mm	Operating Voltage : 230V
End Mills Speed : 12000r / min	Working Pressure : 0.6-0.8Mpa
Milling Cutter Specifications : φ8	Dimension : 540x650x680
Milling Cutter Specification Available : φ3 / φ5	Feed Info : Manual
Single Hole Minimum Distance(Porous) : 13.5-22mm	Machine Weight : 80kg
Price: RM 11,200.00	



CUTTING OFF MACHINE

SD 500(12") / SD 600(16") / SD 1000(20")



Product Details :

Mostly put in the use for aluminum, outlines of plastic, materials for manufacture, are materials, windows and doors, materials or splitting curtain wall; it can be utilized for splitting angle as well. Base and housing are spread; selection of Japan carbide saw blades of 20°, guide rail which is imported, elevated speed of line, instant cooling of injector and lubricating, management tools, outside finish, top accuracy, steady feeding with elevated power and outstanding strength. One saw with many angles as a single plant focusing in the progress and circulation. Located at any point of 0-135° and the new set of top vertical working to be finalized by the lengthy structure split, milling and other series of machine splitting. It is able to cater for an assortment of needs for angles splitting, easy functioning, top circuit steadiness, huge inclusion of functioning surrounding.



Technical Parameters

Angle Processing Range : 45° & 90°	Blade Size : D500xW4.0xD30x120TxB3.2
Feed Info : Air Pneumatic	The Main Motor Speed : 2840rpm/min
Angle Control Mode : Manual	The Main Motor Work Rate : 2.2kw/3.0kw/380V/50hz
Processing Range : 90 50mmx200mm, 160mmx80mm	Working Pressure : 0.6-0.8Mpa
Set High Slitting Function : 45 75mmx150mm, 150mmx75mm	Dimensions(LxWxH) : 860x720x1450
Length Precision : 0.3mm	(HxW)/Cutting Range(HxW) : 90 (50x203)(152x101), 45 (76x152)(152x76)
Angle Precision : 0.05	Machine Weight : 350kg
Model : SD 500(12 ") 415V@20,300.00	
Model : SD 600(16 ") 415V@28,000.00	
Model : SD 1000(20 ") 415V@35,700.00	

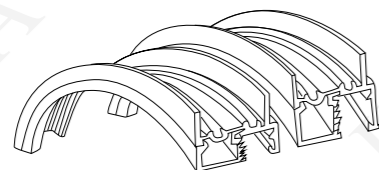
1550 CIRCLE BENDING MACHINE

Product Details :

Mainly used for bending iron profile, copper profile and aluminium profile, it's the ideal equipment for furniture, iron technique, aluminium windows and doors, as well as decoration steel. Manual profile Arc Bending Machine is the most stable models, it fully solves the problem of inaccurate bending, deformation, surface scratch and crumple, it can realize high precision and nice appearance with easy operation. By adopting special device, it can protect the profiles from deformation and surface scratch.

Technical Parameters

Minimum Bending Radius : 300mm	Maximum Travel Route If Upper Roller : 100mm
Maximum Diameter Of Mould : 100mm	Maximum Width Of Profile : 95mm
Diameter Of Roller : 38mm	Operating Voltage : 415V/230V
Driving Mode : Linkage of motor with one gear case	Motor Power : 105kw
Working Mode : Manual adjustment	Dimension(LxWxH) : 490x630x1380
Center Distance Of Rollers : 180mm, 360mm	Machine Weight : 180kg
Positioning Precision Of upper Roller : 0.3mm	
Price : RM 12,950.00	



DOUBLE MITRE SAW



Primarily used for cutting aluminium profiles & PVC profiles for aluminium doors & windows, curtain wall etc.

Primarily used for cutting aluminium profiles & PVC profiles for aluminium doors & windows, curtain wall etc.

*Adopt 5 meter whole length seamless high precision inlet guide bar, ensures the processing precision and stability of machine.

*Adopt 20" hard alloy saw blade and auto-spray lubricating and cooling system, ensures high cutting linear velocity and high surface finish quality and high accuracy.

*The two sawing units can machine profiles simultaneously or separately, easy and convenient operating.

*Mitre angle infinitely adjustable from 45°+~90°~45°-, extended cutting range.

Price: RM 133,000.00

OMGA IL300 MITRE SAW



The perfect compromise for accuracy toughness and maneuverability. Positive stops at 45°, 30°, 22° 30' and 15° on both sides of the rotation. A manual locking device for all the intermediate angles provides a great flexibility to this unit. The direct drive transmission an induction motor make of the 1L 300 the ideal tool for heavy duty industrial usage (HM saw blade included).
Price: RM 10,150.00



NEW!

ALUMINIUM CUTTING

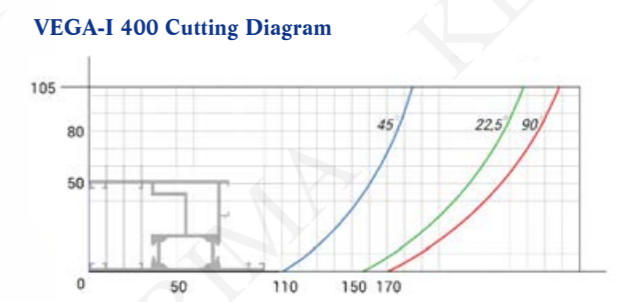
← 70mm →

← 170mm →

Price: ¥ 100-200

T.P.S. Three Positions System

PORTABLE CUTTING MACHINE (16")



- 2hp 1.5kw
- D400 xd30-32mm
- 3000 RPM
- 665a x765b x780h
- 56 Kg

Price: RM 19,500.00

PORTABLE COPY ROUTER



- 0.56hp 0.43kw
- D8mm xd5mm
- 27000 RPM
- 555a x550b x550h
- 28 Kg

Price: RM 12,000.00

Technical data

Art. XXX Evo
Code 8.43.60.46
230 Volt - Hz 50 single-phase motor

- 1500 WATT
- D305-d30
- 2850 RPM
- 630x630x500
- 21.5 Kg

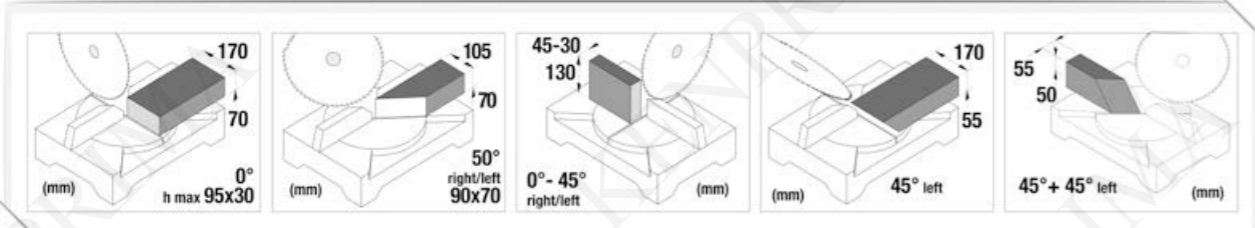
Technical features

- Movements on bearings of the turning table, head and joint
- Powerful 1500 Watt induction motor
- Piece support with sliding kit (INCLUDED)
- New transparent protections for the maximum visibility and safety use
- New T.P.S. (Three Positions System) handle (Patented)
- Micrometric adjustment of the upper working table
- Release lever with mechanical end stroke
- Cutting angle adjustable at 0° and 50°, right and left, with semi-automatic locking device at 0° - 15° - 22.5° - 30° - 45°
- Adjustable compound cutting angle from 0° to 45° left. Combined mitre and compound cut 45°+45° left



Standard fittings

- Aluminium cutting saw blade with Widia inserts and noise dampening-slots
- Vertical clamp
- Adjustable bar stop-rod for mass-produced cuts.
- Sliding Kit





M12 CHZ

M12FUEL™ compact hackzall™



MILWAUKEE CUT LEVEL 5 DIPPED GLOVE



48-22-8951(M)
48-22-8952 (L)
48-22-8953(XL)



MILWAUKEE FASTBACK UTILITY FLIP KNIFE



MILWAUKEE DEMOLITION HAND GLOVE



48-22-8731(M)
48-22-8732 (L)



MILWAUKEE DOOR LOCK INSTALLATION HOLE DOZER™
HOLE SAW KIT



49-22-4073

MILWAUKEE COMPACT TAPE MEASURE



48-22-7225

MODEL NO	DESCRIPTION	VOLTAGE	WEIGHT	PACKING	(RM)/UNIT
M12CHZ-402C	M12 Fuel Compact Hackzall	Fuel 12V	1.6KG	1unit/ctn	RM 2,156.00
48-22-1901	Fastback Utility Flip Knife			6prs/pkt	RM 185.00
48-22-8951(M)	Cut Level 5 Dipped Glove			6prs/pkt	RM 245.00
48-22-8952(L)	Cut Level 5 Dipped Glove			6prs/pkt	RM 245.00
48-22-8953(XL)	Cut Level 5 Dipped Glove			6prs/pkt	RM 245.00
48-22-8731(M)	Demolition Hand Glove			6prs/pkt	RM 320.00
48-22-8732(L)	Demolition Hand Glove			6prs/pkt	RM 320.00
49-22-4073	Door Lock Installation hole dozer hole saw kit			2unit/box	RM 625.00
48-22-7225	Compact Tape Measure			6nos/box	RM 200.00

M18 FMS254

M18 FUEL™ mitre saw



M18 CHX

M18 FUEL™ SDS-plus hammer



M18 CHM

M18 FUEL™ 5kg SDS-Max drilling and breaking hammer



M18 CHPX

M18 FUEL™ high performance sds-plus hammer drill hammer



M12 CH

M12 FUEL™ compact SDS hammer



MODEL NO	DESCRIPTION	VOLTAGE	CAPACITY	CLAMPING TOOLS	IMPACT ENERGY	WOOD/STEEL /CONCRETE	WEIGHT	PACKING	(RM)/UNIT
M18FMS254	M18 Fuel Mitre Saw	Fuel 18V	9.0AH				20KG	1unit/ctn	RM 7,656.00
M18CHM-902C	M18 Fuel SDS-Mrx Drilling & breaking hammer	Fuel 18V	9.0AH				6.6KG	1unit/ctn	RM 9,376.00
M18CHX-502	SDS-plus Hammer	Fuel 18V	5.0AH	SDS-Plus	2.5J	30/13/26mm	3.5KG	1unit/ctn	RM 5,376.00
M18CHPX-502	SDS-plus Hammer	Fuel 18V	5.0AH	SDS-Plus	4.3J	30/13/26mm	4.3KG	1unit/ctn	RM 5,976.00
M12CH-402C	M12 Fuel Compact SDS Hammer	Fuel 12V	4.0AH		1.1J	13/10/13mm	1.9KG	1unit/ctn	RM 2,776.00



M18 CSX

M18 FUEL™ SAWZALL®



M18 CAG100XPDB

M18 FUEL 100mm angle grinder With Paddle switch



M12 FID

M12 FUEL™ sub compact 1/4" Hex impact driver



M18 FPD

M18 FUEL™ percusslon drill



M12 FPD

M12 FUEL™ sub compact 2-speed percusslon



MODEL NO	DESCRIPTION	VOLTAGE	CAPACITY	WOOD/STEEL/CONCRETE	WEIGHT	PACKING	(RM)/UNIT
M18CSX-502B	M18 Fuel Mitre Saw	Fuel 18V	5.0AH		4.1KG	1unit/ctn	RM 4,154.00
M18CAG 100XPDB	M18 Fuel 100mm angle grinder wt Paddle switch	Fuel 18V	5.0AH		2.6KG	1unit/ctn	RM 4,000.00
M18FPD-502B	M18 Fuel Drill Driver	Fuel 18V	5.0AH	45/13mm	2.5KG	1unit/ctn	RM 3,750.00
M12FPD-602C	M12 Fuel Sub compact 2-speed Percussion	Fuel 12V	6.0AH	35/13mm	1.5KG	1unit/ctn	RM 1,976.00
M12FID-602C	M12 Fuel Sub compact 1/4" Hex Impact Driver	Fuel 12V	6.0AH		1.3KG	1unit/ctn	RM 1,760.00

Red Line Cross Liner Laser

Specifications

- Laser wavelength: 635m
- Laser class:Class II /Class III
- Accuracy:±0.2mm/m(1°vial range)
- Leveling range:±3°
- Temperature range: -10°C ~+45°C
- Power:3*AA batteries(or adapter or mini USB power)
- Low voltage indication:power indication LED flash
- Size:φ3 15/16"x8 8/16"(φ100X216mm)
- Weight:2.54lbs(1.15kg)

Features

- LS639S Output 5 laser lines and one plumb down laser dot
- LS639SD Output 5 laser lines and 3 laser dots
- Form 2 cross laser lines
- Compatible both indoor and outdoor applications, switchable between the continuous and pulse laser
- Self-leveling, laser flash and sound indication when beyond self-leveling range
- Able to shield warning function and use for tilt purpose
- Able to rotate by 360°freely and the rotating angle can be fine adjusted
- The height of support legs can be fine adjusted
- Able to connect with the tripod through 5/8"screw thread

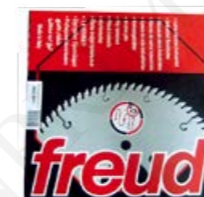
Price: RM 1,250.00

Battery Drill-O



Code : ZDR-O

Freud



Code : SB-F
Aluminium Saw Blade
Available Size:10 " /12 " /14 " /16 " /20 " /24 " /30 "

Green Line Cross Liner Laser

Specifications

- Laser wavelength: 520nm
- Laser class:Class II
- Accuracy:±0.2mm/m(1°vial range)
- Leveling range:±3°
- Temperature range:0°C ~±40°C
- Power:Li battery box or power adapter
- Low voltage indication: power indication light flash
- Size:φ3 15/16"x8 11/16"(φ100X220mm)
- Weight:2.76lbs(1.25kg)

Features

- Traditional pressing button,with pulse function
- LS686S Output 5 laser lines and 1 laser dot
- LS686SD Output 5 laser lines and 3 laser dots
- Form 2 cross laser lines
- Compatible for both indoor and outdoor applications
- Self leveling, laser flash and sound indication when beyond leveling range
- Able to shield alarming function and use for tilt purpose
- Height can be fine adjusted by supprting leg of tripod base
- All metal base
- 360°two way fine adjustable

Price: RM 1,675.00

Air Riveter



Wagen



Code : SB-W
Aluminium Saw Blade
Available Size:10 " /12 " /14 " /16 " /20 " /24 "

Canada Metal Stud Plier



Code : PPLY-C
Price: RM 1,225.00

Keemax Partition Plier



Code : PPLY-K
Price: RM 136.50

Aviation Snip



Code : ZPLY-AV
Price: RM 86.00

Picus Hand Riveter



Code : RIHR-007
Price: RM 140.00

HG-038 Heavy Duty Hand Riveter



Code : RIHR-HG038
Price: RM 120.00

HG-035 Hand Riveter



Code : RIHR-HG035
Price: RM 76.00

Setting Block Cutter-S



Code : SBC-S

Setting Block Cutter-M



Code : SBC-M
Price: RM 72.00

Setting Block Cutter-B



Code : SBC-B
Price: RM 56.00

Trade Wall Stripper



Code : TRW-4
Price: RM 45.50

Murata Concrete Nail(Japan)



Size : 14 x 3/4"
Code : CN1406
Packing : 50 box / ctn
Price: RM 35.35/BOX

Self Tapping Screw



Available : Flat Head / Pan Head
Material : Zinc Nickel & Stainless Steel SUS 304
Code : SC

Self Drilling Screw



Available : Flat Head / Pan Head
Material : Zinc Nickel & Stainless Steel SUS 304
Code : SDP

Ruspert Screw Self Tapping Screw



Code : SC-R

Ruspert Screw Self Drilling Screw



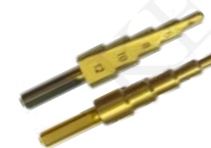
Code : SDP-R

Screw Driver Bit



Code : SDB
Available : 2 x 65mm / 2 x 110mm
Price: RM 6.00/RM 9.00

Hyda Step Drill



Size : 4-12mm
Code : GSD-HYDA
Price: RM 60.00

Ceramic Drill



Code : GCD-
Available size : 6mm / 8mm / 10mm

Ceramic Drill Cross



Code : GCD-CR
Available size : 6mm / 8mm / 10mm

Measuring Tape



Code : ZMT-

Cutter Knife



Code : ZCUT-K
Price: RM 6.00/PCS

Cutter Blade Cross



Code : ZCUT-B
Packing : 10 Pcs / Pkt
200 Pcs / Box
Price: RM 0.50/PCS

ALUMINIUM BLIND RIVETS



Available in color : NA / MB / White / Black

CODE	SIZE	COLOR	QUANTITY	(RM)/BOX
RIP42-NA	RIVET1/8"X1/4"	NA	20K/CTN	RM38.00/K
RIP43-na	RIVET1/8"X5/16"	NA	20K/CTN	RM42.00/K
RIP44-NA	RIVET1/8"X3/8"	NA	20K/CTN	RM46.00/K
RIP46-NA	RIVET1/8"X1/2"	NA	20K/CTN	RM52.00/K
RIP412-NA	RIVET1/8"X1"	NA	10K/CTN	RM62.00/K
RIP54-NA	RIVET5/32"X3/8"	NA	10K/CTN	RM36.00/BOX
RIP56-NA	RIVET5/32"X1/2"	NA	10K/CTN	RM38.00/BOX
RIP64-NA	RIVET3/16"X3/8"	NA	10K/CTN	RM48.00/BOX
RIP66-NA	RIVET3/16"X1/2"	NA	10K/CTN	RM50.00/BOX
RIP42-MB	RIVET1/8"X1/4"	MB	20K/CTN	RM38.00/K
RIP44-MB	RIVET1/8"X3/8"	MB	20K/CTN	RM46.00/K
RIP46-MB	RIVET1/8"X1/2"	MB	20K/CTN	RM52.00/K
RIP54-MB	RIVET5/32"X3/8"	MB	10K/CTN	RM36.00/BOX
RIP56-MB	RIVET5/32"X1/2"	MB	10K/CTN	RM38.00/BOX
RIP42-WH	RIVET1/8"X1/4"	WHTRE	20K/CTN	RM38.00/K
RIP44-WH	RIVET1/8"X3/8"	WHTRE	20K/CTN	RM46.00/K
RIP42-BLK	RIVET1/8"X1/4"	BLACK	20K/CTN	RM38.00/K
RIP43-BLK	RIVET1/8"X5/16"	BLACK	20K/CTN	RM42.00/K
RIP44-BLK	RIVET1/8"X3/8"	BLACK	20K/CTN	RM46.00/K
RIP44-NAF	RIVET1/8"X3/8"(FLAT)	NA	20K/CTN	RM46.00/K
RIP54-NAF	RIVET5/32"X3/8"(FLAT)	NA	10K/CTN	RM36.00/BOX
RIP56-NAF	RIVET5/32"X1/2"(FLAT)	NA	10K/CTN	RM38.00/BOX
RIP64-NAF	RIVET3/16"X3/8"(FLAT)	NA	10K/CTN	RM48.00/BOX
RIP66-NAF	RIVET3/19"X4/8"(FLAT)	NA	10K/CTN	RM50.00/BOX

E6800

E6800 SERIES CARD INTELLIGENT LOCK



TECHNOLOGY

- Stainless steel mortise, National standard dimension.
- Stainless Steel panels and handles, sturdy and durable.
- Intelligent voice guidance function.
- Spare mechanical key with ultra clockcore.
- Low voltage alarm function, Spare power interface.
- High frequency password screen, with anti-peeking password inputting function.



4585



3585



3585

TECHNOLOGY

Card technology	Mifare 1 RF card
User capacity	100 passwords, 800 card
working voltage	DC6V, DC battery
Working temperature	-20~+70°C
Working humidity	40%~85%RH
Frequency	13.56MHz
Card Modle	Standard formula, Buttoning style, Thin Film style
Power Consumption	Static current: ≤ 20uA, Dynamic current: ≤ 200mA
Password length	6-10 6-10digits
Door Thickness	Door thickness for 40-120mm