

We reserves the right to change the product design and specifications without notice. All information is carefully checked for accuracy. We shall not be accountable for damages caused by any possible faults or errors in the printing and publishing process. Your choice of product picture shall be made against the material object as the product picture may have slight difference with the material object due printing process.



NEW INNOVATION GLASS HARDWARE ACCESSORIES

KEN PRIMA

GLASS & ALUM.ACC SDN BHD

KEN PRIMA GLASS & ALUM.ACC.SDN.BHD.

ADD:No.1,Jalan Utama 2/30,Taman Perindustrian Puchong Utama,
47100 Puchong,Selangor D.E.,Malaysia.
TEL:603-8061 2323 FAX:603-8061 3232
E-MAIL:kenprimaglass@gmail.com
www.kenprimaglass.com



COMPANY PROFILE

Established in 2002, we are **Ken Prima Glass & Alum.Acc. Sdn Bhd**, an innovative company engaged in the line of aluminium and glass fittings for doors and windows.

Through the years, we have diversified into many specializations and developed various products such as glass fittings like the spider series, shower hinges, patch fittings and floor hinges, stainless steel handles and many more.

Our philosophy is "strive to express with further demand and spice up your environment" which is reflected by the types of applications of our products: suitable for hardware, construction and / or industrial purposes. This makes Ken Prima Glass & Alum.Acc. Sdn Bhd the one stop centre for all products you will ever need.

Today, we are continuing and expanding a heritage of achievements built on our sincerity to our customers: the assurance and satisfaction of acquiring quality products with fast deliveries at a competitive price.

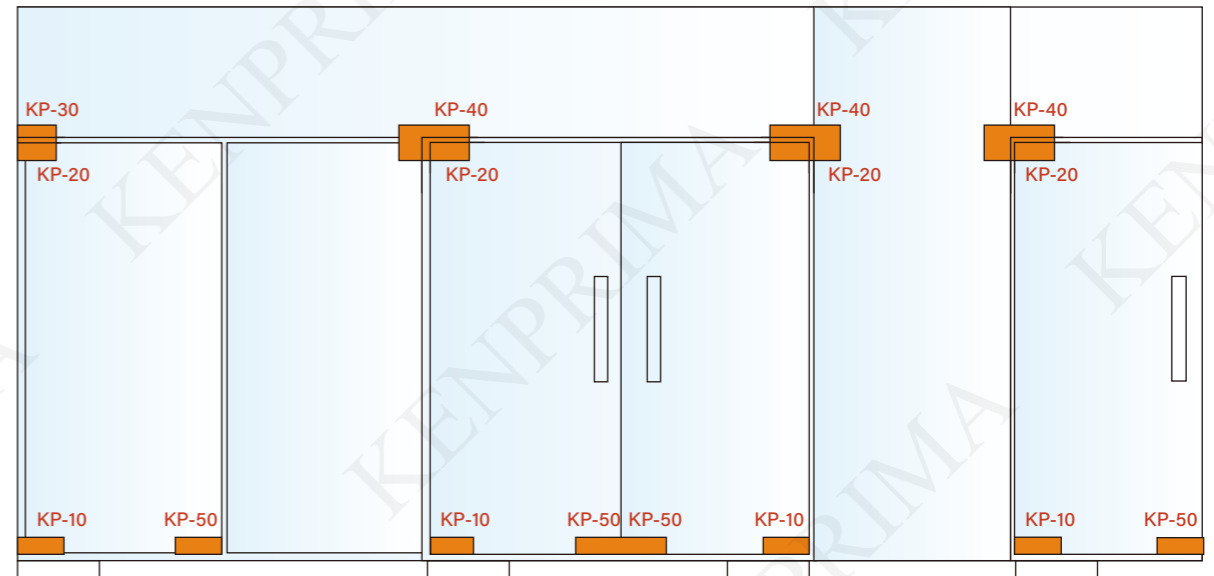
NEW
INNOVATIONS
FOR
BETTER
SOLUTIONS

KEN PRIMA GLASS

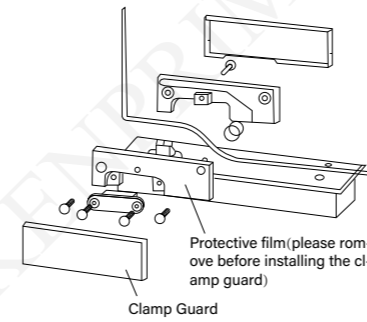


C ONTENTS

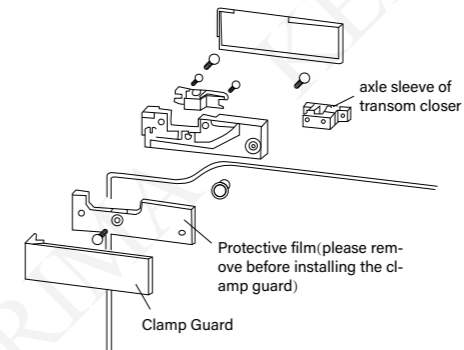
■ - PRIMA Floor Hinge Series	001-013
■ - PRIMA Floor Hinge Black Series	012
■ - PRIMA Bathroom Series (Shower Hinge , Bracket , Knobs , Shower Accessories)	014-026
■ - Frameless Sliding , Folding Series (SLA , SLB , SLC , SLD , SLE , SLF,SLG,Magnetic Sliding Door)	027-050
■ - Stainless Steel Pull Handle Series (Pull Handle with Key , Black Series Handle)	051-058
■ - Frameless Glass Door Lock Series	059-066
■ - Glass Spacer Connector	067-068
■ - Handrail Series	069-072
■ - PRIMA Spider Series	073-077
■ - Dorma Floor Hinge & Accessories	078-092
■ - Glass Accessories (Glass Sucker , Glass Cutter , Grinder Disc , UV Glue)	093-096
■ - Automatic Door	097-098



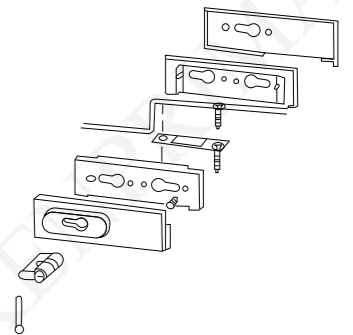
KP-10 Bottom Patch



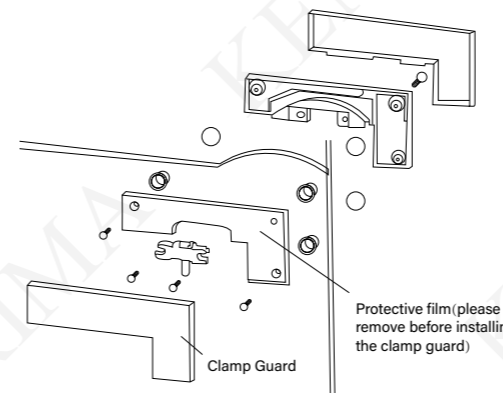
KP-20 Top Patch



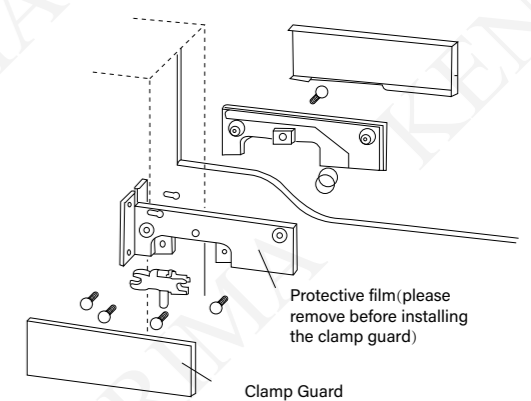
KP-50 Lock Patch



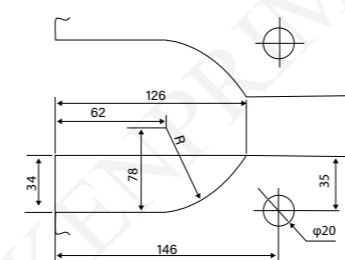
KP-40 Lock Patch



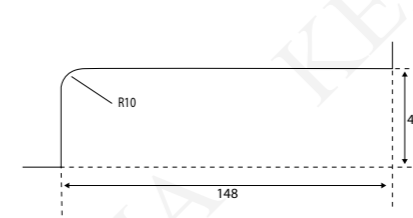
KP-30 Top Patch



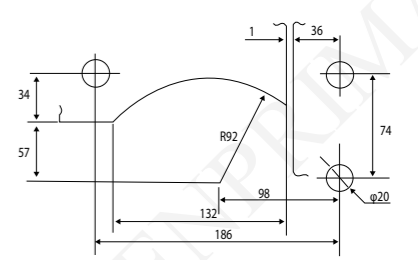
KP-10/20/30



KP-50



KP-40

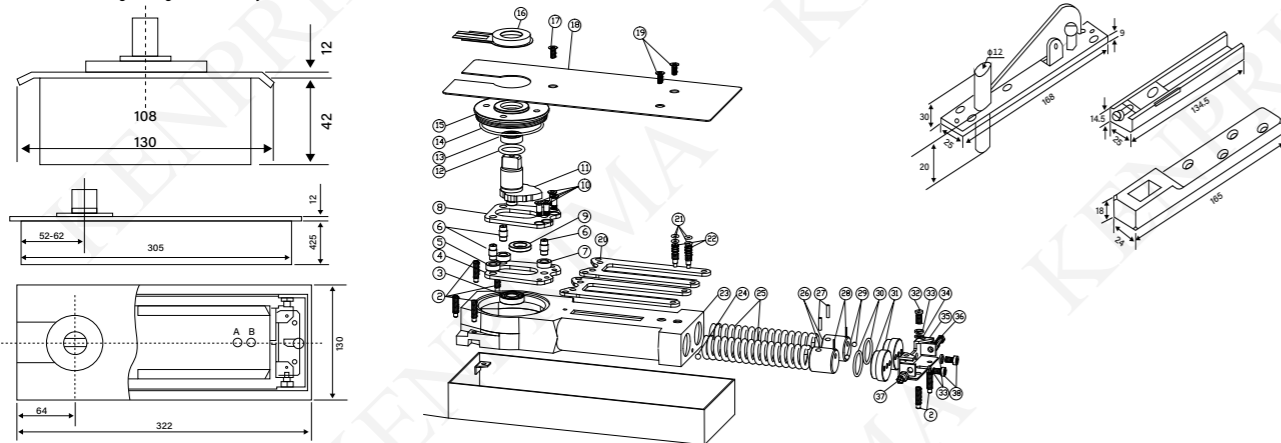


FHPRI-66

FHPRI-66 Italy Floor Hinge
15NM, 20NM, 25NM, 40NM,



- Suitable for wooden, glass and aluminium etc. all kinds of door.
- Max. opening angle in each direction: 116°.
- Controllable closing angle: 90°-25°-0°.
- Inside the frame: High can be adjusted within 4mm, Width can be adjusted with 5mm between left and right, length can be adjusted within 12mm.



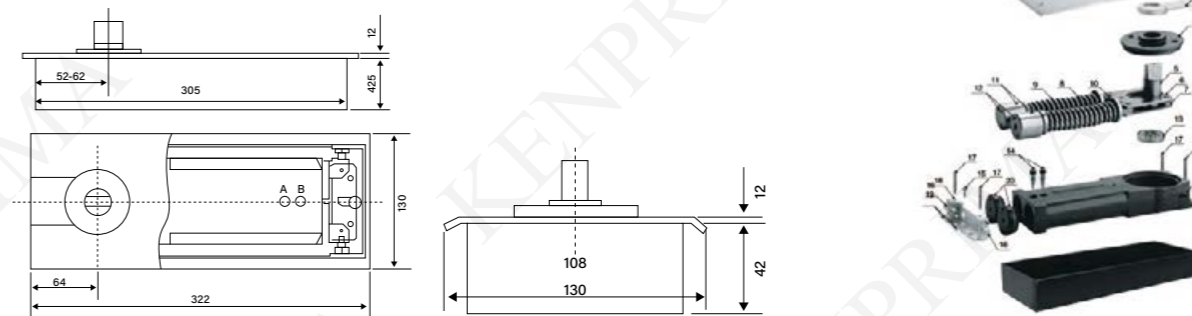
MODEL NO	MAXIMUM DOOR WEIGH (mm)	MAXIMUM DOOR WEIGH (kg)	CLOSING SPEED	FINAL CLOSING SPEED	DURABILITY TEST (Cycles)	MAX GLASS THICKNESS (mm)	PACKING	(RM)/UNIT
FHPRI-66 EN 2 (15NM)	800	80	116°-10°	10-0°	300,000 Cycles	12	4nos/ctn	RM 245.00
FHPRI-66 EN 3 (20NM)	1000	100	116°-10°	10-0°	300,000 Cycles	12	4nos/ctn	RM 245.00
FHPRI-66 EN 4 (25NM)	1200	120	116°-10°	10-0°	300,000 Cycles	12	4nos/ctn	RM 295.00
FHPRI-66 EN 5 (40NM)	1350	150	116°-10°	10-0°	300,000 Cycles	12	4nos/ctn	RM 345.00

FHPRI-88

FHPRI-88 Italy Floor Hinge
15NM, 20NM, 25NM, 40NM,



- Suitable for wooden, glass and aluminium etc. all kinds of door.
- Max. opening angle in each direction: 116°.
- Controllable closing angle: 90°-25°-0°.
- Inside the frame: High can be adjusted within 4mm, Width can be adjusted with 5mm between left and right, length can be adjusted within 12mm.



MODEL NO	MAXIMUM DOOR WEIGH (mm)	MAXIMUM DOOR WEIGH (kg)	CLOSING SPEED	FINAL CLOSING SPEED	DURABILITY TEST (Cycles)	MAX GLASS THICKNESS (mm)	PACKING	(RM)/UNIT
FHPRI-88 EN 2 (15NM)	800	80	116°-10°	10-0°	500,000 Cycles	12	4nos/ctn	RM 287.50
FHPRI-88 EN 3 (20NM)	1000	100	116°-10°	10-0°	500,000 Cycles	12	4nos/ctn	RM 287.50
FHPRI-88 EN 4 (25NM)	1200	120	116°-10°	10-0°	500,000 Cycles	12	4nos/ctn	RM 337.50
FHPRI-88 EN 5 (40NM)	1350	150	116°-10°	10-0°	500,000 Cycles	12	4nos/ctn	RM 387.50

PRIMA FLOOR HINGE

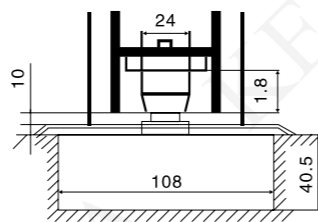
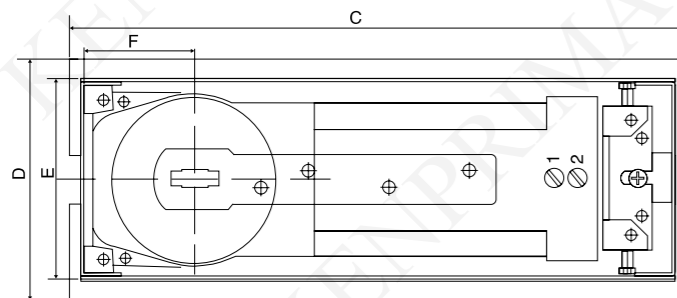
15NM, 20NM, 30NM & 40NM



MODEL	SIZE	A	B	C	D	E	F
15/20/30/40		40	305	319	129	108	56

- Suitable for wooden, glass and aluminium etc. all kinds of door.
- Max. opening angle in each direction: 120°.
- Controllable closing angle: 90°-25°-0°.
- Inside the frame: High can be adjusted within 4mm, Width can be adjusted with 5mm between left and right, length can be adjusted within 12mm.

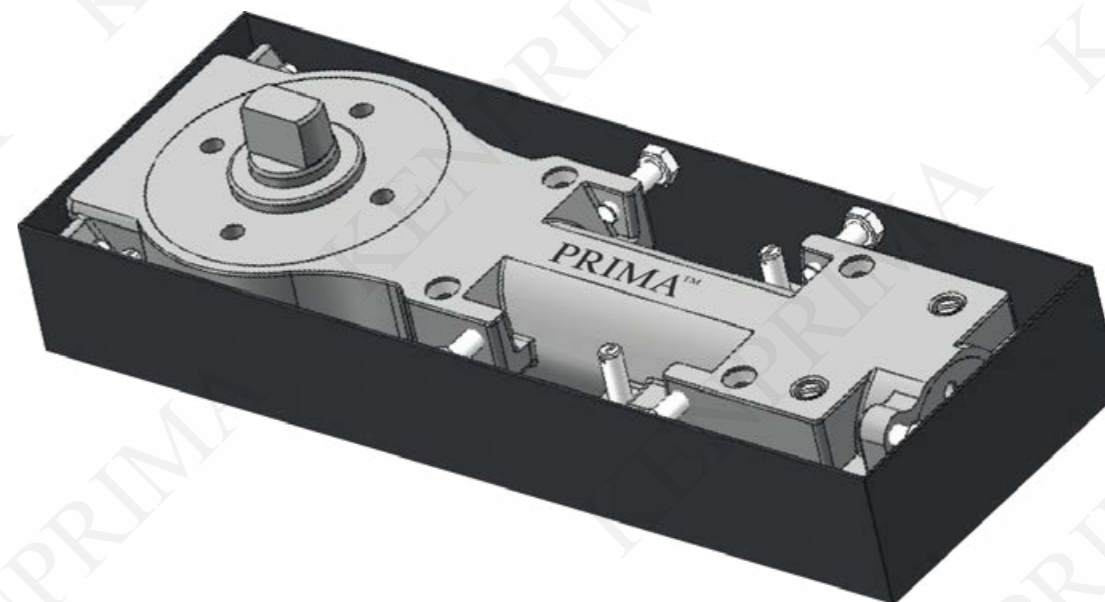
- Opening of stopping position: 90°.
- It operates normally from -30° to 45°.
- Pass the quality test of 500,000 cycle.



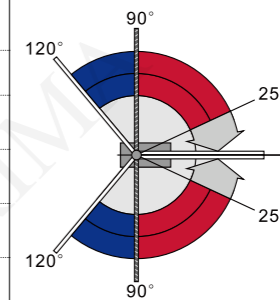
MODEL NO	MAXIMUM DOOR WEIGH (mm)	MAXIMUM DOOR WEIGH (kg)	CLOSING SPEED	FINAL CLOSING SPEED	DURABILITY TEST (Cycles)	MAX GLASS THICKNESS (mm)	PACKING	(RM)/UNIT
FHPRI-15	800	80	105°-90°	25°-0°	500,000 Cycles	12	4nos/ctn	RM 345.00
FHPRI-20	1000	100	105°-90°	25°-0°	500,000 Cycles	12	4nos/ctn	RM 345.00
FHPRI-30	1200	120	105°-90°	25°-0°	500,000 Cycles	12	4nos/ctn	RM 395.00
FHPRI-40	1350	150	105°-90°	25°-0°	500,000 Cycles	12	4nos/ctn	RM 445.00

FH-60 SERIES

Floor Hinge



TECHNICAL INFO		
POWER SIZE	EN3	
WIDTH OF DOOR MAX(MM)	1000	
WEIGHT OF DOOR MAX(KG)	100	
DIMENSION OF CEMENT BOX(MM)	LENGTH	274
	WIDTH	97
	HEIGHT	40
PASSED DURABILITY TEST	500,000 cycles	

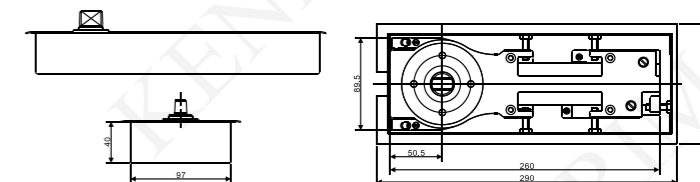


•Yes - No - Option

Features:

- Slim and thin body design thickness is 40mm, less work for ground hole, easy installation.
- 120°-25°, 25°-0° degrees, two speed control, make door close smoothly.
- Optional 90° hold open, non-hold open also available.
- Suitable for wooden, glass and aluminum etc, all kinds of doors.
- Max door weight 100kg, Max door width 1000mm.
- Max opening angle in each direction: 120°, speed 1 from 90°-25°, speed 2 from 25°-0°.
- Suitable for wooden, glass and aluminum etc. all kinds of doors.

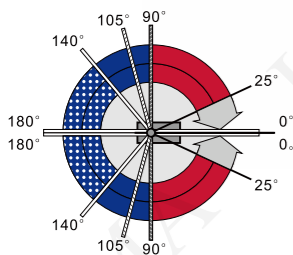
- Inside the frame : Height can be adjusted within 4mm, width can be adjusted within 4mm between left and right length can be adjusted within 6mm.



MODEL NO	MAXIMUM DOOR WEIGH (mm)	MAXIMUM DOOR WEIGH (kg)	CLOSING SPEED	FINAL CLOSING SPEED	DURABILITY TEST (Cycles)	MAX GLASS THICKNESS (mm)	PACKING	(RM)/UNIT
FHPRI-60	1000	100	116°-10°	10°-0°	500,000 Cycles	12	4nos/ctn	RM 237.50

FH-75 HEAVY DUTY SERIES

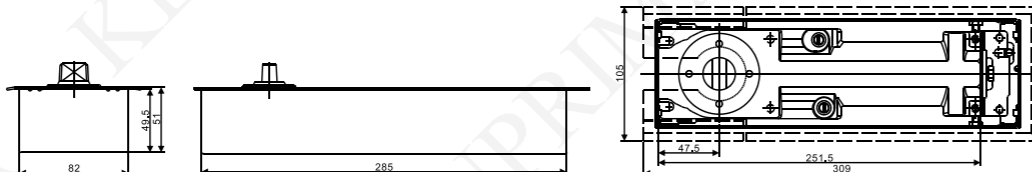
Floor Hinge



TECHNICAL INFO

POWER SIZE		75V	75
		EN2-EN4	EN4
WIDTH OF DOOR MAX(MM)	850	○	□
	950	○	□
	1100	○	●
WEIGHT OF DOOR MAX(KG)	80	○	□
	100	○	□
WEIGHT OF BODY(KG)	150	○	●
	4055		
DIMENSION OF CEMENT BOX(MM)	LENGTH	285	
	WIDTH	82	
	HEIGHT	49.5	
PASSED DURABILITY TEST		500,000 cycles	

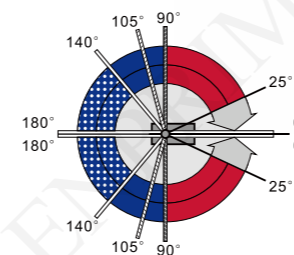
● Yes - No ○ Option



MODEL NO	MAXIMUM DOOR WEIGH (mm)	MAXIMUM DOOR WEIGH (kg)	CLOSING SPEED	FINAL CLOSING SPEED	DURABILITY TEST (Cycles)	MAX GLASS THICKNESS (mm)	PACKING	(RM)/UNIT
FHPRI-75	1100	150	116°-10°	10-0°	500,000 Cycles	12	4nos/ctn	RM 675.00

FH-80 HEAVY DUTY SERIES

Floor Hinge



TECHNICAL INFO

POWER SIZE		EN5	EN6
Closing Force(N.m)0° - 4°		37-54	54-87
WIDTH OF DOOR MAX(MM)	1400	●	●
WEIGHT OF DOOR MAX(KG)	300	●	●
WEIGHT OF BODY(KG)		8.00	
DIMENSION OF CEMENT BOX(MM)	LENGTH	341	
	WIDTH	78	
	HEIGHT	60	
PASSED DURABILITY TEST		500,000 cycles	

● Yes - No ○ Option

Features:

- Safety valve design, protect body not damage by outside forces or strong winds.
- 180°-15°, 15°-0° two speeds control make door close smoothly.
- Random hold open from 140°-180° optional hold-open 90° or non-holdopen.
- Suitable for all kind of door, single action and double open also available.
- Max door weight 300kg, Max door width 1400mm.
- Max opening angle in each direction: 180°, speed 1 from 180°-15°, speed 2 from 15°-0°.
- Easy installation of universal design, suitable for left and opening & single-door and double-door two direction opening.
- Easy to adapt to individual requirements with dual valve, according to different requirement to adjust closing speed and latching force, also available with different door closer for special requirement.

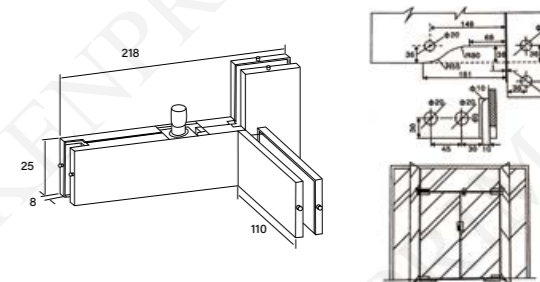
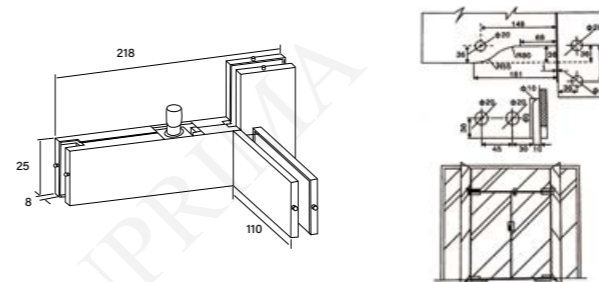
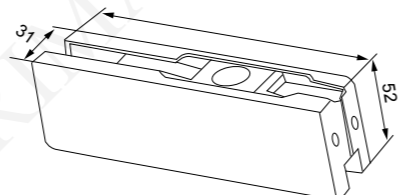
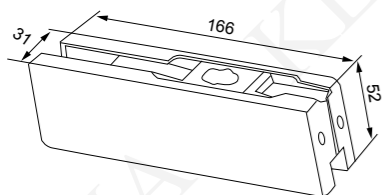
MODEL NO	MAXIMUM DOOR WEIGH (mm)	MAXIMUM DOOR WEIGH (kg)	CLOSING SPEED	FINAL CLOSING SPEED	DURABILITY TEST (Cycles)	MAX GLASS THICKNESS (mm)	PACKING	(RM)/UNIT
FHPRI-80	1400	300	116°-10°	10-0°	500,000 Cycles	12	4nos/ctn	RM 1,500.00

KP-10
Bottom Patch

KP-20
Top Patch

KP-41-L
Fin Top Patch-LH

KP-41-R
Fin Top Patch-RH

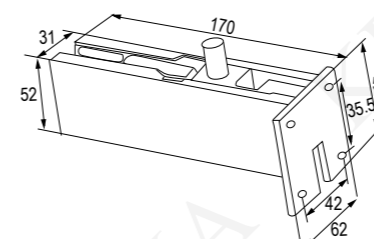
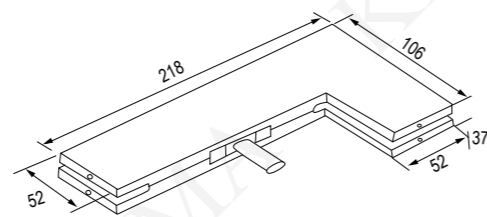
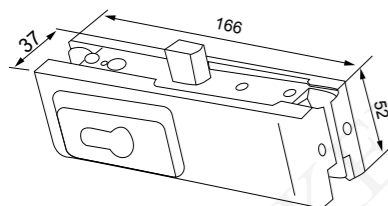


KP-50
Lock Patch

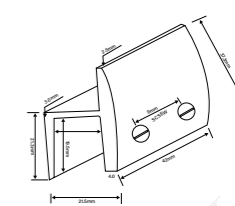
KP-40
L Patch

KP-30
Top Patch

FT-24
Top Pivot



GB 500E
Glass Bracket with Stopper



MODEL NO	DESCRIPTION	FINISHING	PACKING	(RM)/UNIT
PFKP 10	KP-10 Bottom Patch	S/S	20pcs/ctn	RM 45.00
PFKP 20	KP-20 Top Patch	S/S	20pcs/ctn	RM 45.00
PFKP 50	KP-50 Lock Patch	S/S	20pcs/ctn	RM 95.00
PFKP 40	KP-40 L Top Patch	S/S	20pcs/ctn	RM 95.00

MODEL NO	DESCRIPTION	FINISHING	PACKING	(RM)/UNIT
PFKP 41-LH	KP-41 Fin Patch-LH	S/S	10nos/ctn	RM 370.00
PFKP 41-RH	KP-41 Fin Patch-RH	S/S	10nos/ctn	RM 370.00
PFKP 30	KP-30 Top Patch	S/S	20pcs/ctn	RM 165.00
PFFT 24	FT-24 Top Pivot	S/S	300pcs/ctn	RM 14.00
GB 500E	Glass Bracket with Stopper	S/S	100pcs/ctn	RM 35.00

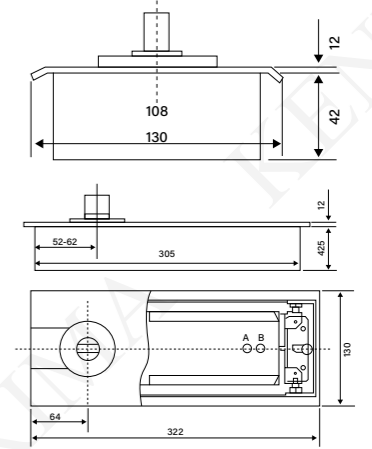
Curn in to Black Series

*frameless Swing Door
Patch fitting &
floor Hinge Series*

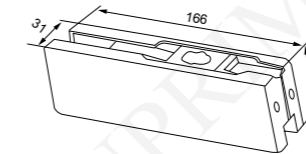
*Black is the
Signature of elegance*



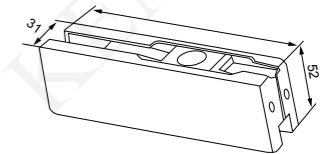
FHPRI-20-B
88Floor Hinge (20NM)-Black



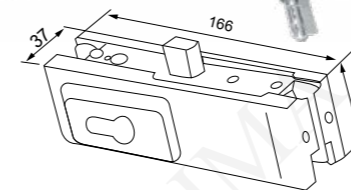
FT-10-B
Bottom Patch-Black



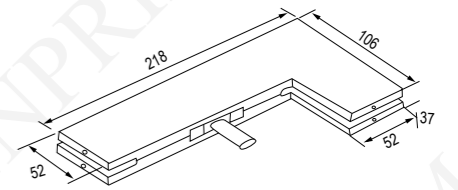
FT-20-B
Top Patch-Black



FT-50-B
Lock Patch-Black

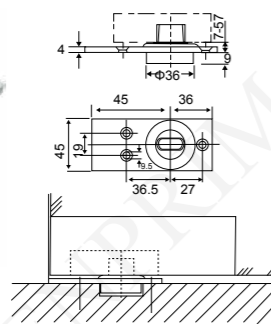


FT-40-B
L Patch-Black



MODEL NO	DESCRIPTION	FINISHING	PACKING	(RM)/UNIT
FHPRI-20-BLK	PRIMA(88)FLOOR HINGE -20 NM	BLACK	4NOS/CTN	RM 300.00
PFBFT-10(BLK)	FT10 Bottom Patch (Black)	BLACK	20PCS/CTN	RM 52.50
PFBFT-20(BLK)	FT 20 Top Patch(Black)	BLACK	20PCS/CTN	RM 52.50
PFBFT-50(BLK)	FT50 Lock Patch(Black)	BLACK	20PCS/CTN	RM 215.00
PFBFT-40(BLK)	FT40 L Patch(Black)	BLACK	20PCS/CTN	RM 160.00

FT-180-A
Floor Pivoter Bearing



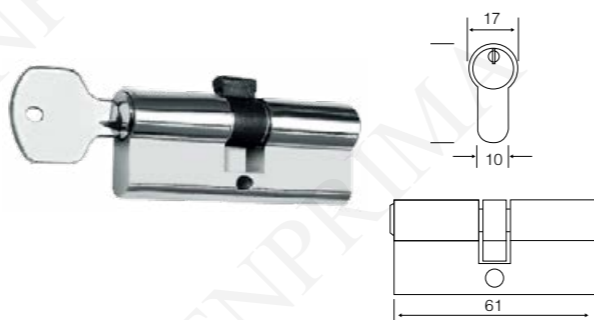
FTAL-P
AL Accessories



FTGD
GD Accessories



PFFT50CY
Cylinder Only



KP-50-A
Patch Lock Keeper



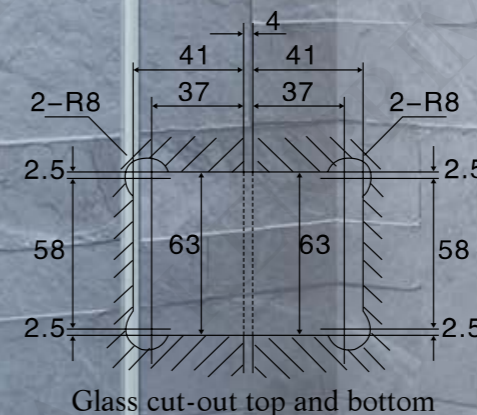
KP-50-B
Patch Lock Keeper



KP-50K-S
Patch Lock Keeper wt Spring



BATHROOM SERIES

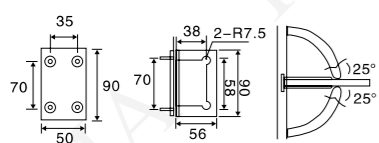


MODEL NO	DESCRIPTION	FINISHING	PACKING	(RM)/UNIT
PT-180-A	FT 180 Floor Pivoter Bearing	S/S	50nos/ctn	RM 80.00
PTAL-P	AL Accessories	S/S	30set/ctn	RM 80.00
FTGD	GD Accessories	S/S	20set/ctn	RM 400.00
PFFT 50-CY	Cylinder Only	S/S	100pcs/ctn	RM 85.00
KP-50K-A	KP-50K-A Patch lock Kepper	S/S	200set/ctn	RM 22.00
KP-50K-B	KP-50K-B Patch lock Kepper	S/S	200set/ctn	RM 31.00
KP-50K-S	KP-50K-S Patch lock Kepper wt Spring	S/S	200set/ctn	RM 35.00

- Suitable for glass door from 8mm to 10mm thick and 800mm wide. The door will be Closed automatically when being closed to about 25°
- Material: Brass / Stainless Steel
- Finish: Mirror / Satin
- Door weight: 45kg max.
- Remark: Tempered glass
- Times fatigue: Above 100,000 times.

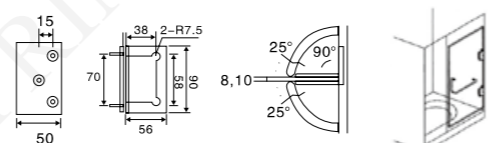
SHPR 90

Glass to Wall Shower Hinge



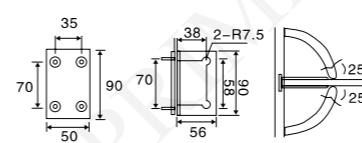
SHPR 90-3H

Glass to Wall Shower Hinge (3 Holes)



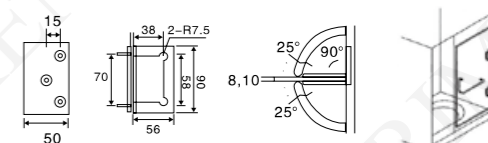
SHPR 90AR

Glass to Wall Shower Hinge



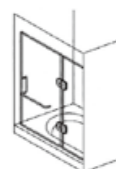
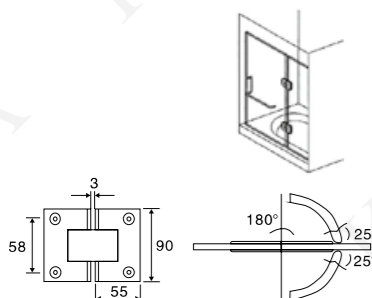
SHPR 90-AR3H

Glass to Wall Shower Hinge (3 Holes)



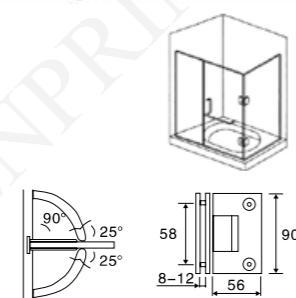
SHPR 180

Glass to Glass Shower Hinge



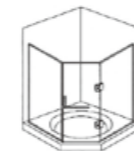
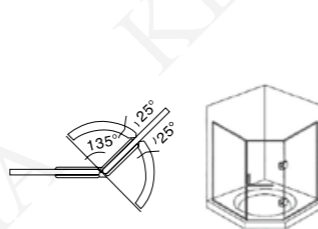
SHPR 9090

Glass to Glass Shower Hinge



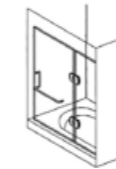
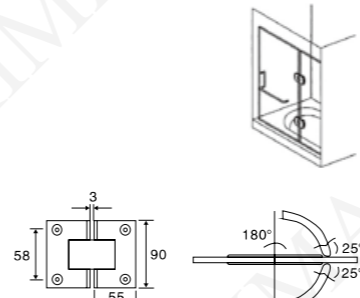
SHPR 135

Glass to Glass Shower Hinge



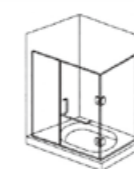
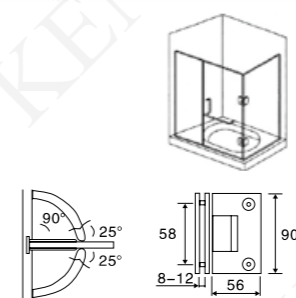
SHPR 180AR

Glass to Glass Shower Hinge



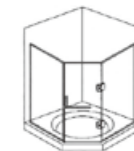
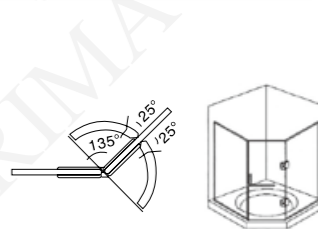
SHPR 9090AR

Glass to Glass Shower Hinge



SHPR 135AR

Glass to Glass Shower Hinge



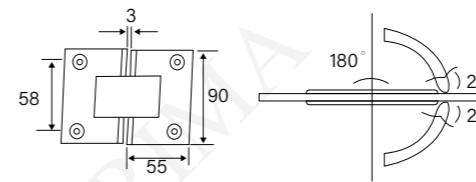
MODEL NO	DESCRIPTION	FINISHING	PACKING	(RM)/UNIT
SHPR 90	90 Deg GTW Shower Hinge	Polished	20nos/ctn	RM 95.00
SHPR 90-3H	90 Deg GTW Shower Hinge (3 Holes)	Polished	20nos/ctn	RM 95.00
SHPR 180	180 Deg GTG Shower Hinge	Polished	20nos/ctn	RM 172.50
SHPR 9090	9090 Deg GTG Shower Hinge	Polished	20nos/ctn	RM 175.00
SHPR 135	135 Deg GTG Shower Hinge	Polished	20nos/ctn	RM 172.50

MODEL NO	DESCRIPTION	FINISHING	PACKING	(RM)/UNIT
SHPR 90AR	90 Deg GTW Shower Hinge	Polished	20nos/ctn	RM 105.00
SHPR 90-AR3H	90 Deg GTW Shower Hinge (3 Holes)	Polished	20nos/ctn	RM 105.00
SHPR 180AR	180 Deg GTG Shower Hinge	Polished	20nos/ctn	RM 182.50
SHPR 9090AR	9090 Deg GTG Shower Hinge	Polished	20nos/ctn	RM 185.00
SHPR 135AR	135 Deg GTG Shower Hinge	Polished	20nos/ctn	RM 182.50

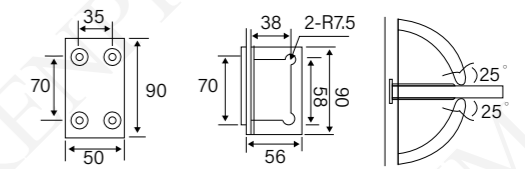


Turn to Black

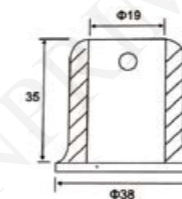
PR180P(BLK)
GTG Shower Hinge(Black)



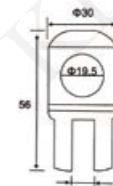
PR90P(BLK)
GTW Shower Hinge(Black)



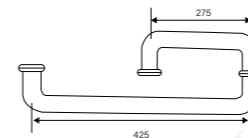
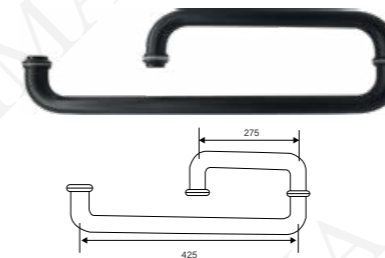
SB901(BLK)
End Cap Holder



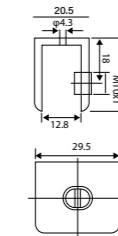
SB903(BLK)
Glass Holder



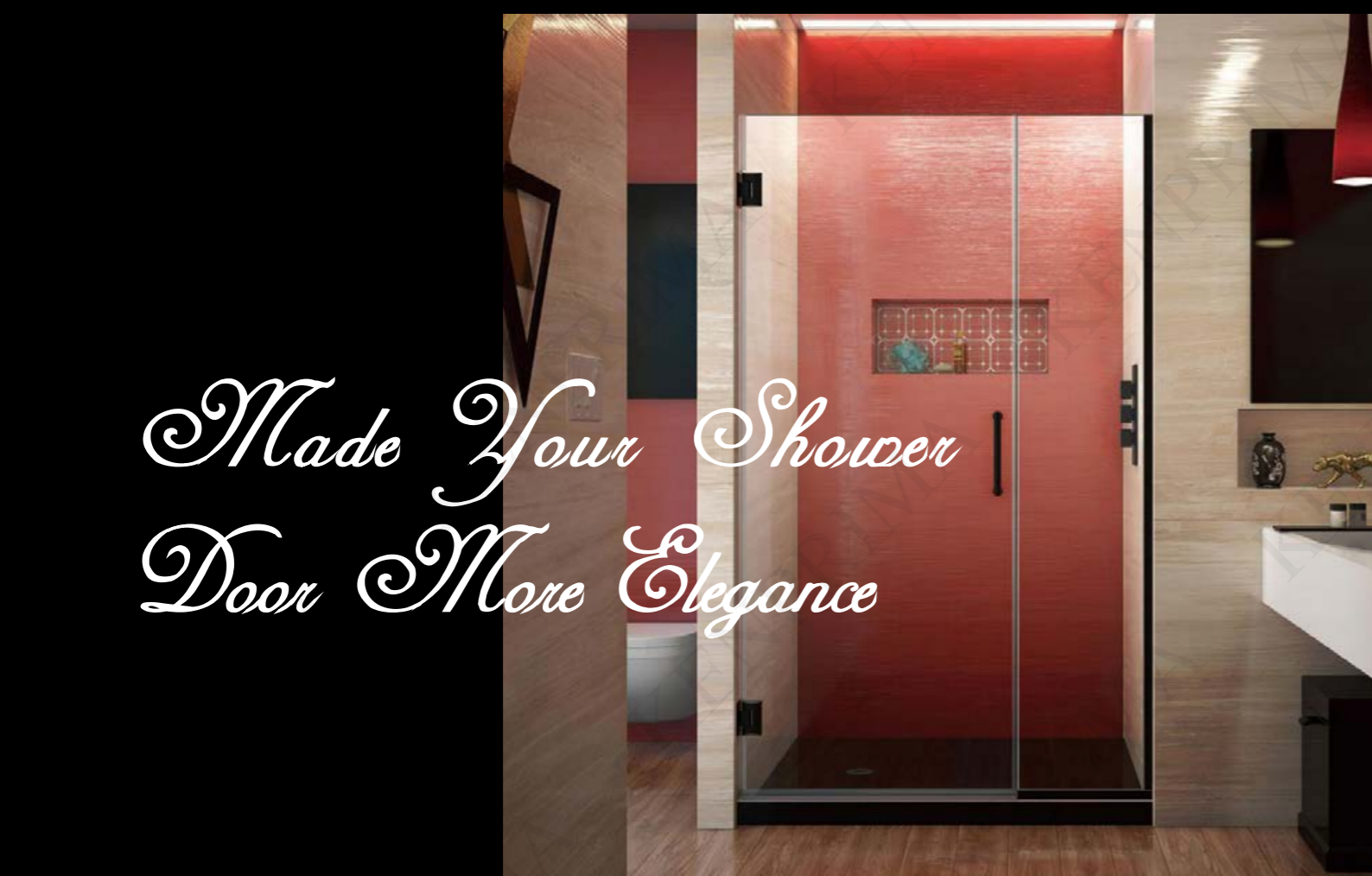
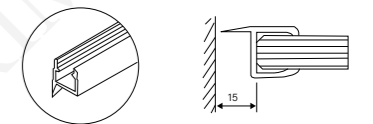
SS712425(BLK)
Shower Handle(Black)
Dia: 25mm c-c:275/425mm



GB 500A(BLK)
Glass Bracket Square(Black)



P10HJ(BLK)
L:2200mm

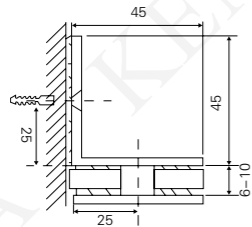


Made Your Shower Door More Elegance

MODEL NO	DESCRIPTION	FINISHING	PACKING	(RM)/UNIT
SHPR90P(BLK)	PR90 Glass Wall Shower Hinge 《Black》	BLACK	20NOS/CTN	RM 112.50
SHPR180P(BLK)	PR180 Glass to Glass Shower Hinge 《Black》	BLACK	20NOS/CTN	RM 195.00
SS712425(BLK)	SS712S Shower Handle 《Black》	BLACK	40PRS/CTN	RM 52.50
SB901(BLK)	SB 901 End Cap 《Black》	BLACK	100PCS/CTN	RM 20.00
SB903(BLK)	SB 903 Glass Holder 《Black》	BLACK	100PCS/CTN	RM 27.50
GB500A(BLK)	Gb 500A Glass Bracket Square 《Black》	BLACK	600PCS/CTN	RM 12.50
P10HJ(BLK)	P 10 HJ Clear Seal(2200mm) 《Black》	BLACK	100PCS/CTN	RM 20.00

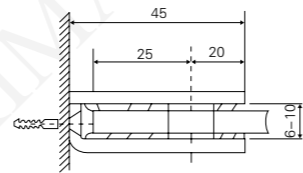
GB 501

Glass to Wall



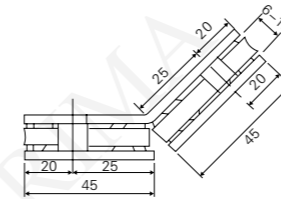
GB 502

Glass to Wall



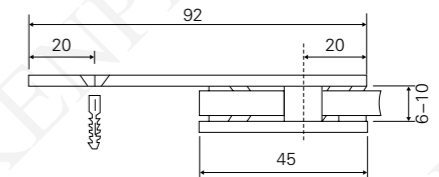
GB 505

135Deg Glass to Glass



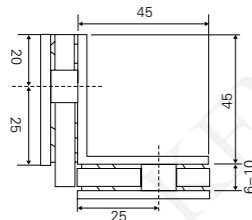
GB 506

180Deg Glass to Wall



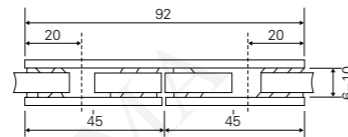
GB 503

90Deg Glass to Glass



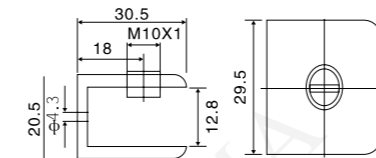
GB 504

180Deg Glass to Glass



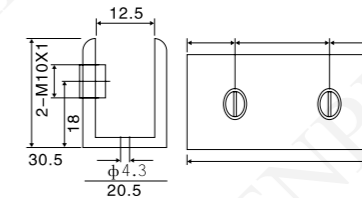
GB 500A

Glass Bracket Square



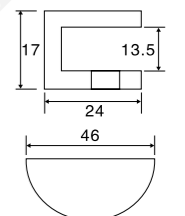
GB 500B

Glass Bracket Rectangular



GB 500C

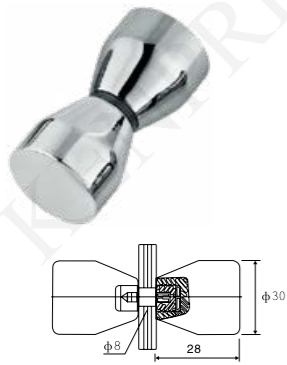
Glass Bracket Half Moon



MODEL NO	DESCRIPTION	FINISHING	MATERIAL	PACKING	(RM)/UNIT
GB 501	90Deg Glass to Wall Bracket	Mirror	Brass/SS	100nos/ctn	RM 42.50
GB 502	Glass to Wall Bracket	Mirror	Brass/SS	100nos/ctn	RM 35.00
GB 503	90Deg Glass to Glass Bracket	Mirror	Brass/SS	100nos/ctn	RM 57.50
GB 504	180Deg Glass to Glass Bracket	Mirror	Brass/SS	100nos/ctn	RM 57.50

MODEL NO	DESCRIPTION	FINISHING	MATERIAL	PACKING	(RM)/UNIT
GB 505	135Deg Glass to Glass Bracket	Mirror	Brass/SS	100nos/ctn	RM 57.50
GB 506	180Deg Glass to Wall Bracket	Mirror	Brass/SS	100nos/ctn	RM 57.50
GB 500A	Glass Bracket Square	Mirror	Brass	480nos/ctn	RM 13.75
GB 500A-Z	Glass Bracket Square	Mirror	Zinc	600nos/ctn	RM 6.25
GB 500B	Glass Bracket Rectangular	Mirror	Brass/Zinc	300nos/ctn	RM 11.25
GB 500C	Glass Bracket Half Moon	Mirror	Brass/Zinc	300nos/ctn	RM 9.00

SDN-4001
Shower Door knob



SDN-4002
Shower Door knob



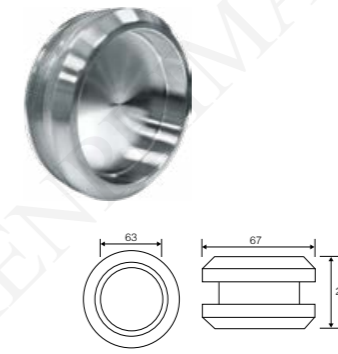
SDN-4003
Shower Door knob



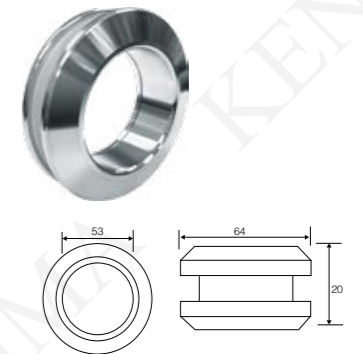
SLA002-S
Shower Door Knob



SLA002-B
Shower Door Knob



SLA002-H
Shower Door Knob (Hole)



SDN-4005
Shower Door knob



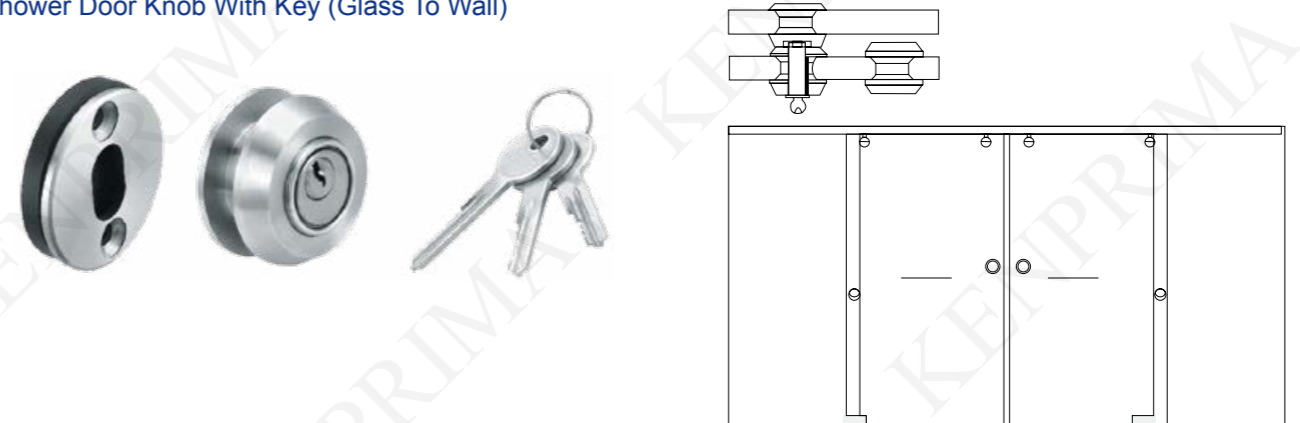
SDN-4006
Shower Door knob



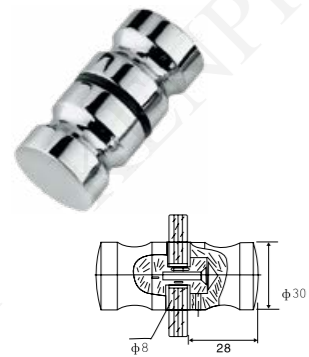
SDN-4007
Shower Door knob



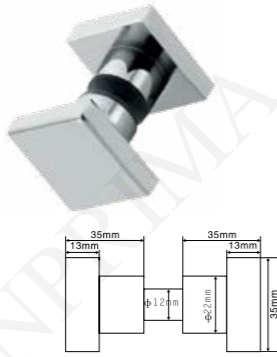
SLA 002KS
Shower Door Knob With Key (Glass To Wall)



SDN-4008
Shower Door knob



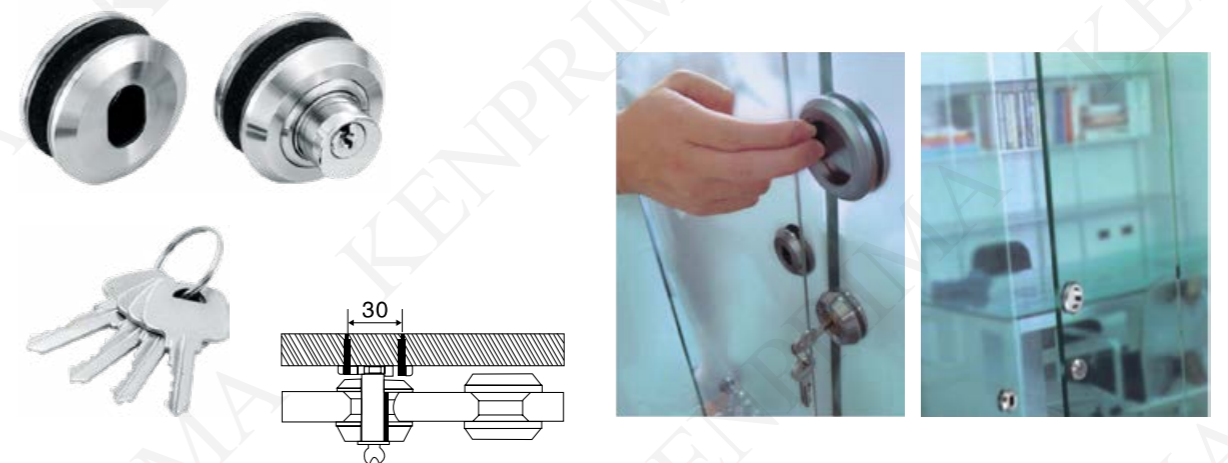
SDN-4009
Shower Door knob



SDN-4025
Shower Door knob



SLA 002KD
Shower Door Knob With Key (Glass To Glass)



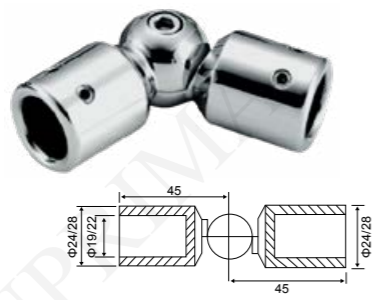
MODEL NO	DESCRIPTION	FINISHING	MATERIAL	PACKING	(RM)/UNIT
SDN-4001	Shower Door Knob	Hairline	Brass	100nos/ctn	RM 75.00
SDN-4002	Shower Door Knob	Hairline	Brass	100nos/ctn	RM 75.00
SDN-4003	Shower Door Knob	Black	Brass	100nos/ctn	RM 95.00
SDN-4005	Shower Door Knob	Mirror	Brass	100nos/ctn	RM 75.00
SDN-4006	Shower Door Knob	Mirror	Brass	100nos/ctn	RM 75.00
SDN-4007	Shower Door Knob	Mirror	Brass	100nos/ctn	RM 75.00
SDN-4008	Shower Door Knob	Mirror	Brass	100nos/ctn	RM 75.00
SDN-4009	Shower Door Knob	Hairline	Brass	100nos/ctn	RM 85.00
SDN-4025	Shower Door Knob	Hairline	Brass	100nos/ctn	RM 85.00

MODEL NO	DESCRIPTION	FINISHING	MATERIAL	HOLES OPENING	PACKING	(RM)/UNIT
SLA002-S	Shower Door Knob (Small)	CP	Brass	Dia:48mm	100nos/ctn	RM 37.50
SLA002-B	Shower Door Knob (Big)	CP	Brass	Dia:60mm	100nos/ctn	RM 45.00
SLA002-H	Shower Door Knob (Hole)	CP	Brass	Dia:53mm	100nos/ctn	RM 50.00
SLA002-KS	Shower Door Knob wt Key (GTW)	CP	Brass	Dia:35mm	30nos/ctn	RM 165.00
SLA002-KD	Shower Door Knob wt Key (GTG)	CP	Brass	Dia:35mm	30nos/ctn	RM 177.50

SB 901
End Cap



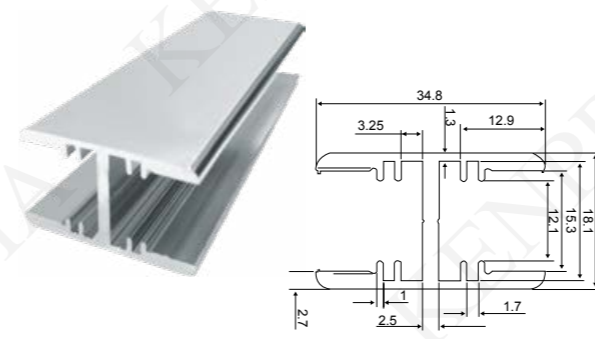
SB 906
Adjustable Connector



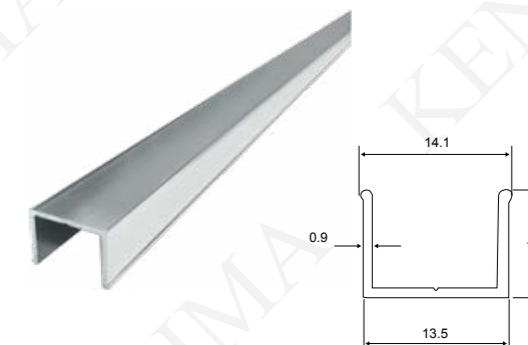
SB 903
Glass Holder



SB 929
Header (Square)



SB 929U
Aluminium U for SB 929



SB 900
45 Deg Wall Bracket



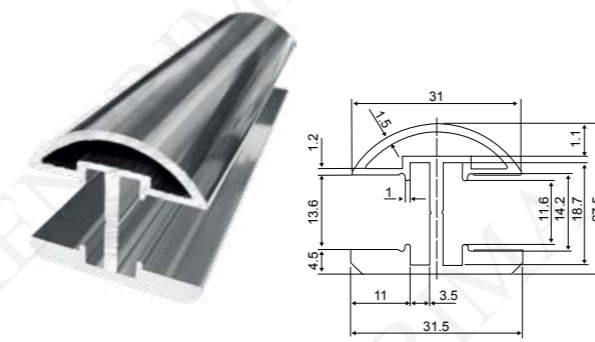
SB 905
Glass holder End Cap



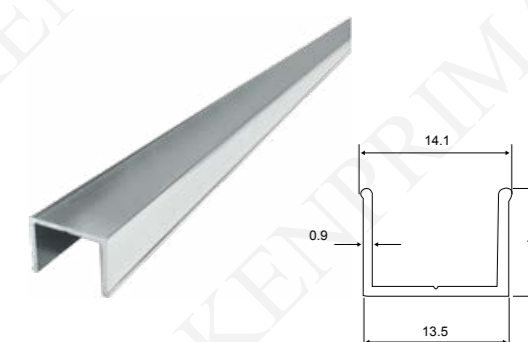
SB 908
3 Way Glass Connector



SB 931
Header (Semi-circle)



SB 931U
Aluminium U for SB 931



SB 904
Glass Stopper



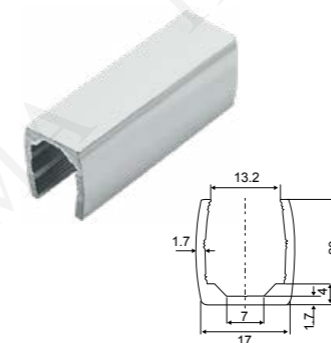
SB 910/SB 920
Reinforcement Bar
Diameter: 19mm/25mm
L: 3000mm/6000mm



SB 940
Stainless Steel U Channel
Size: 19mm x 19mm x 19mm x 2400mm
Size: 25mm x 25mm x 25mm x 2400mm
Others size custom made on request



SB 950
Aluminium U



SB 932
ADJ.Bracket



SB 933
L Bracket

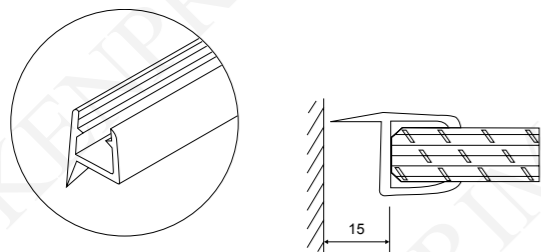


MODEL NO	DESCRIPTION	FINISHING	MATERIAL	PACKING		(RM)/UNIT
				BOXES	CTN	
SB 901	End Cap	Mirror	Brass	10nos	100nos	RM 26.25
SB 906	Adjustable Connector	Mirror	Brass	10nos	50nos	RM 43.75
SB 903	Glass Holder	Mirror	Brass	10nos	100nos	RM 30.00
SB 900	45Deg Wall Bracket	Mirror	Brass	10nos	100nos	RM 25.00
SB 905	Glass Holder End Cap	Mirror	Brass	10nos	100nos	RM 32.00
SB 908	3 Way Glass Connector	Mirror	Brass	10nos	100nos	RM 30.00
SB 904	Glass Stopper	Mirror	Brass	10nos	100nos	RM 30.00
SB 910/SB 920	Reinforcement Bar	Mirror	Stainless Steel	10pcs/Bundle		RM 62.00/RM 124.00
SB 940	Stainless Steel U Channel	Mirror	Stainless Steel	20pcs/Bundle		RM 76.00

MODEL NO	DESCRIPTION	FINISHING	MATERIAL		PACKING		(RM)/UNIT
					BOXES	CTN	
SB 929	Header (Square)	CP	Aluminium	3.6Mtr	10pcs/Bundle		RM 275.00
SB 929-U	Aluminium U for SB 929	CP	Aluminium	3.6Mtr	20pcs/Bundle		RM 40.00
SB 931	Header (Semi-Circle)	CP	Aluminium	3.6Mtr	10pcs/Bundle		RM 280.00
SB 931-U	Aluminium U for SB 931	CP	Aluminium	3.6Mtr	20pcs/Bundle		RM 40.00
SB 950	Aluminium "U"	Mirror	Aluminium	6.0Mtr	10pcs/Bundle		RM 165.00
SB 932	Adjustable Bracket	CP	Steel	-	50pcs	1000pcs	RM 11.00
SB 933	L Bracket	CP	Steel	-	50pcs	1000pcs	RM 5.00

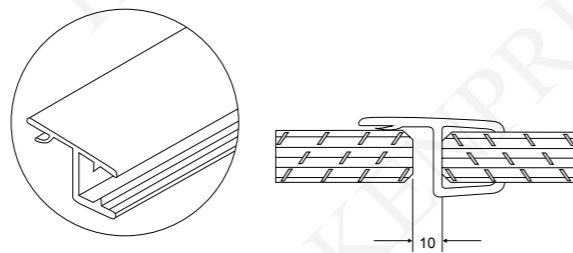
P10HJ/P12HJ

Side



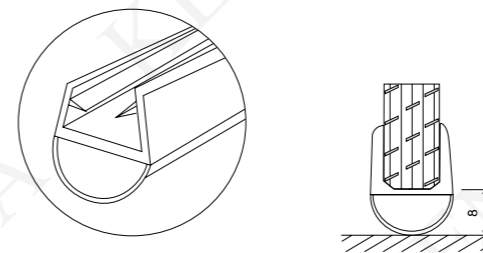
P10HJH

Hard Side



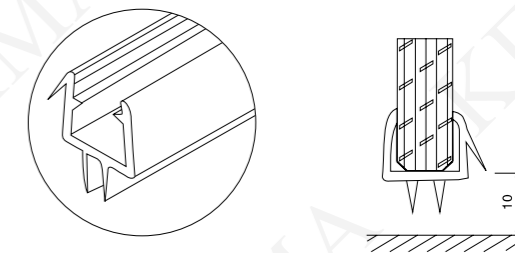
P10BP/P12BP

Bumper



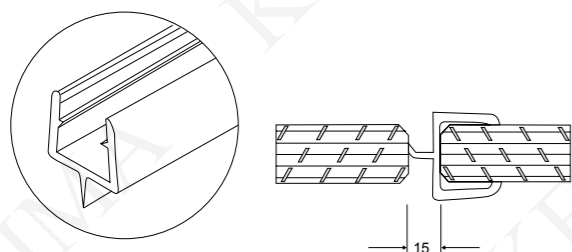
P10WDR

Bottom

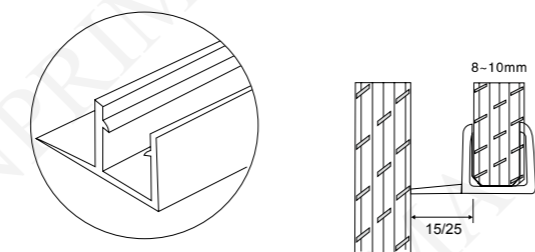


P10BR/P12BR

Center

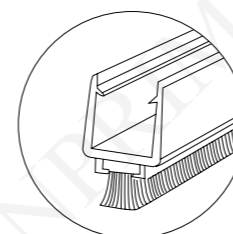


P10F/P12F



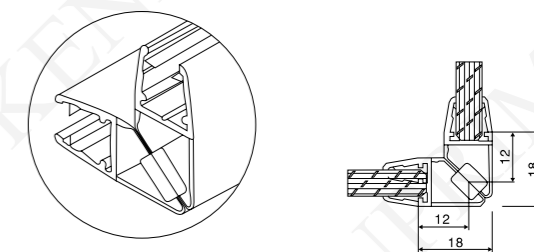
P1206

With Weather Seal



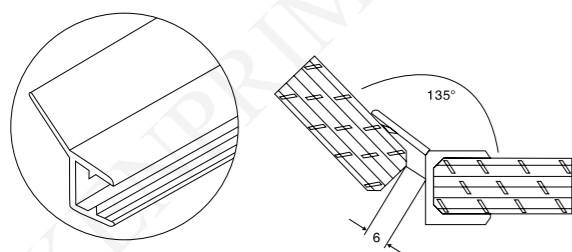
P90M

90 Deg Magnet



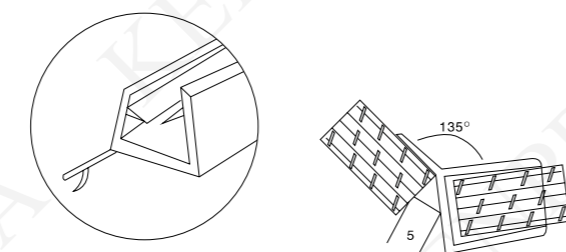
P10SW

135 Deg Soft



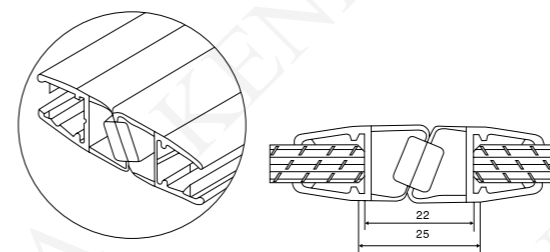
P10DJ

135 Deg Hard



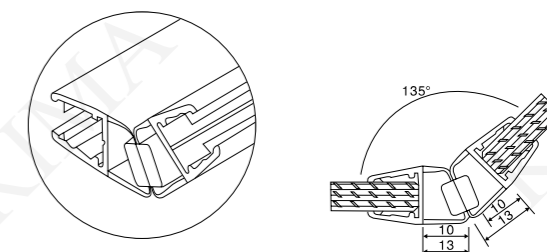
P180M

180 Deg Magnet



P135M

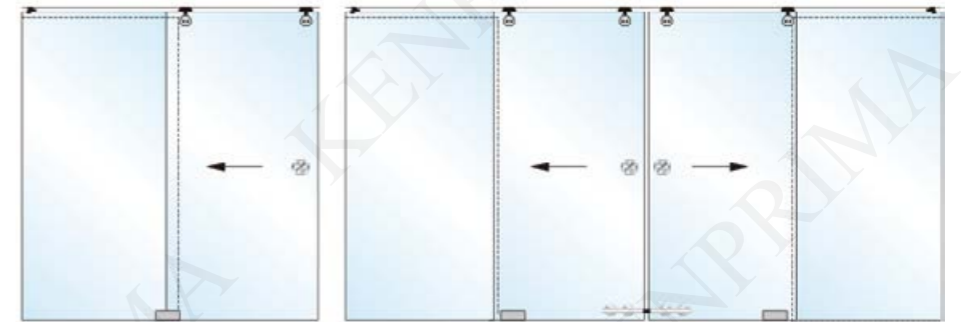
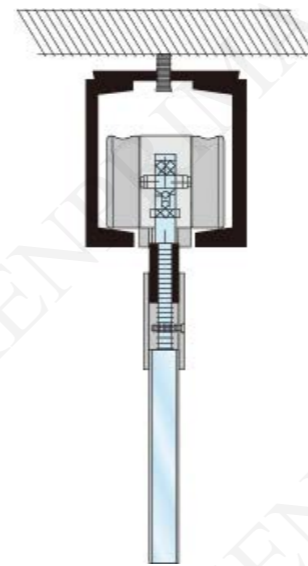
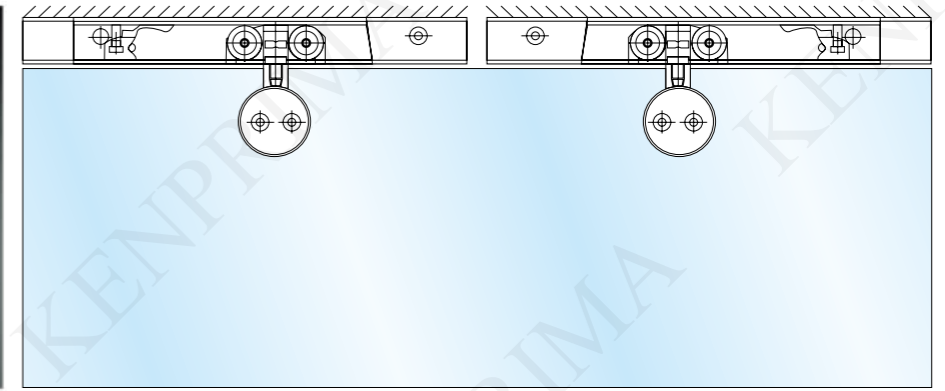
135 Deg Magnet



MODEL NO	DESCRIPTION	GLASS THICKNESS	SIZE	PACKING	(RM)/UNIT
P10HJ-22	P 10 HJ PVC CLEAR SEAL (2200MM)	10mm	2200mm	100pcs/ctn	RM 15.80
P10HJ-25	P 10 HJ PVC CLEAR SEAL (2500MM)	10mm	2500mm	100pcs/ctn	RM 18.00
P12HJ-25	P 12 HJ PVC CLEAR SEAL (2500MM)	12mm	2500mm	100pcs/ctn	RM 19.30
P10HJH-22	P 10 HJH (HARD) PVC CLEAR SEAL (2200MM)	10mm	2200mm	100pcs/ctn	RM 19.30
P10HJH-25	P 10 HJH (HARD) PVC CLEAR SEAL (2500MM)	10mm	2500mm	100pcs/ctn	RM 21.80
P10BR-22	P 10 BR PVC CLEAR SEAL (2200MM)	10mm	2200mm	100pcs/ctn	RM 15.80
P10BR-25	P 10 BR PVC CLEAR SEAL (2500MM)	10mm	2500mm	100pcs/ctn	RM 20.50
P12BR-25	P 12 BR PVC CLEAR SEAL (2500MM)	12mm	2500mm	100pcs/ctn	RM 19.30
P10F-22	P 10 F PVC CLEAR SEAL (2200MM)	10mm	2200mm	100pcs/ctn	RM 18.00
P10F-25	P 10 F PVC CLEAR SEAL (2500MM)	10mm	2500mm	100pcs/ctn	RM 20.50
P12F-25	P 12 F PVC CLEAR SEAL (2500MM)	12mm	2500mm	100pcs/ctn	RM 32.50
P10SW-22	P 10 SW PVC CLEAR SEAL (2200MM)	10mm	2200mm	100pcs/ctn	RM 18.00
P10DJ-22	P 10 DJ PVC CLEAR SEAL (2200MM)	10mm	2200mm	100pcs/ctn	RM 18.00

MODEL NO	DESCRIPTION	GLASS THICKNESS	SIZE	PACKING	(RM)/UNIT
P10BP-22	P 10 BP PVC CLEAR SEAL (2200MM)	10mm	2200mm	100pcs/ctn	RM 18.00
P10BP-25	P 10 BP PVC CLEAR SEAL (2500MM)	10mm	2500mm	100pcs/ctn	RM 20.50
P10BP-27	P 10 BP PVC CLEAR SEAL (2700MM)	10mm	2700mm	100pcs/ctn	RM 22.00
P12BP-27	P 12 BP PVC CLEAR SEAL (2700MM)	12mm	2700mm	100pcs/ctn	RM 22.40
P10WDR-22	P 10 WDR PVC CLEAR SEAL (2200MM)	10mm	2200mm	100pcs/ctn	RM 22.40
P10M-90	P 10 MAGNET 90DEG CLEAR SEAL (2200MM)	10mm	2200mm	50pcs/ctn	RM 110.00
P10M-180	P 10 MAGNET 180DEG CLEAR SEAL (2200MM)	10mm	2200mm	50pcs/ctn	RM 110.00
P10M-135	P 10 MAGNET 135DEG CLEAR SEAL (2200MM)	10mm	2200mm	50pcs/ctn	RM 110.00

SLA-001



FEATURES :

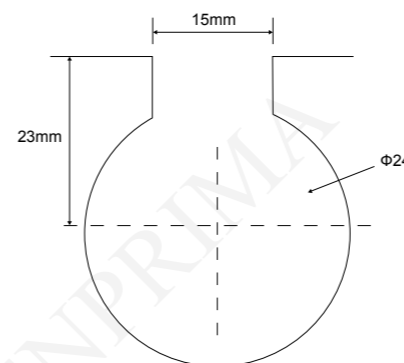
Max.Door Leaf Width : 1000mm

Max.Door Leaf Load : 90kgs~120kgs

Glass Thickness : 8-12mm

Hole dimension of glass

HOLE OPENING

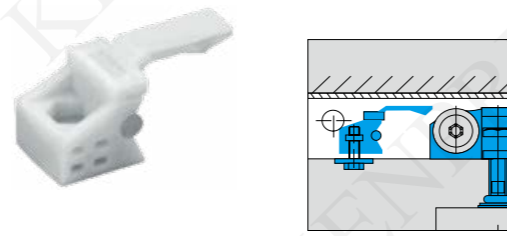


SLIDING DOOR SYSTEM SERIES

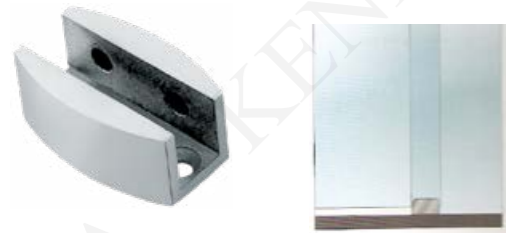
SLA-001
Track Roller



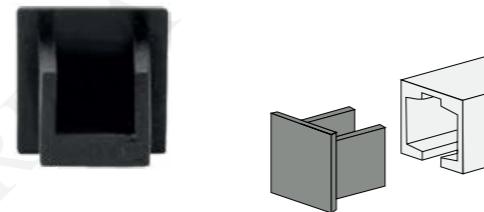
SLA-003
Stopper



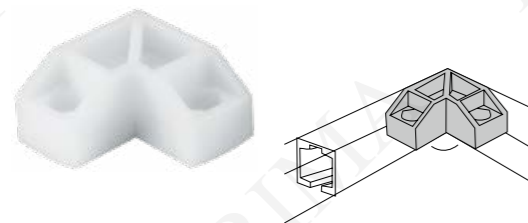
SLA-007
Floor Guide



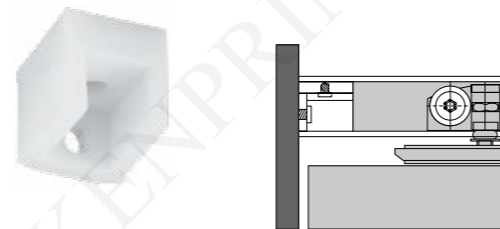
SLA-004
End Cap



SLA-005-L
90 Deg Track Connector



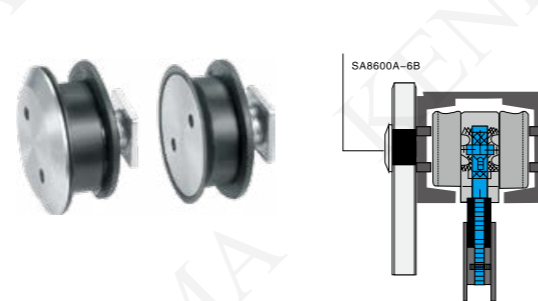
SLA-006
Wall To Track Connector



SLA-008
Bracket



SLA-009
Glass Hanger

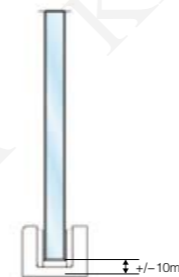
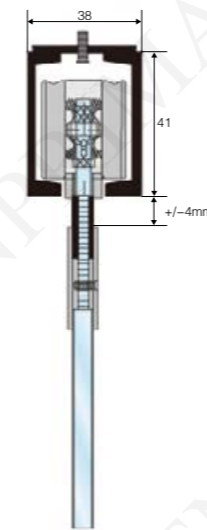


MODEL NO	DESCRIPTION	FINISHING	MATERIAL	PACKING		(RM)/UNIT
				BOXES	CTN	
GSLA-001	SLA-001 Roller@ 2 NOS	Hairline	Aluminium	1set	10set	RM 235.00/SET
	SLA-003 Stopper @ NOS	White	PVC			
	SLA-007 Floor Guide @ 1 NOS	Hairline	Aluminium			
SLA-004	End Cap for Track	Black	PVC	10pcs	200pcs	RM 10.00/PCS
SLA-005-L	90 Deg Track Connector	White	Nylon	10pcs	100pcs	RM 36.00/PCS
SLA-006	Wall to Track Connector	White	Nylon	10pcs	200pcs	RM 16.00/PCS
SLA-008	Hanging Bracket For Track	PS	S/S	10pcs	100pcs	RM 26.00/PCS

SLA-010
Aluminium Single Track



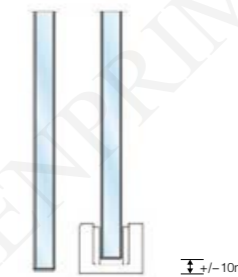
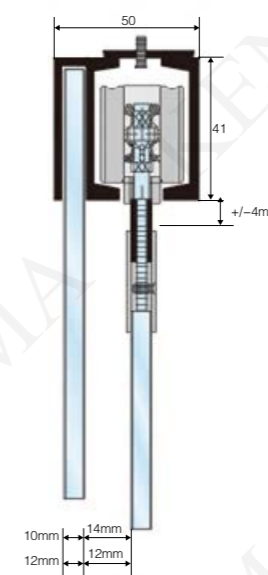
Finish : Aluminium Color
Material : Aluminium
Avialable Size : 2.0 / 3.0 / 6.0



SLA-011
Aluminium 1 Fixed 1 Slide Track



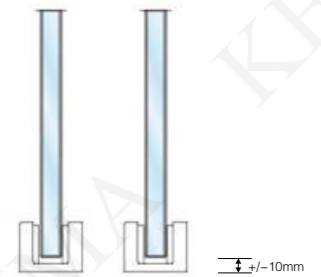
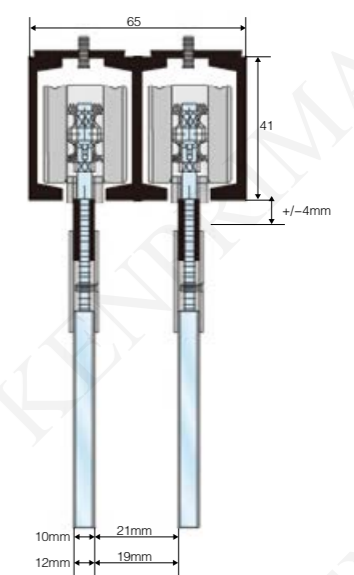
Finish : Aluminium Color
Material : Aluminium
Avialable Size : 2.0 / 3.0 / 6.0



SLA-012
Aluminium Double Track



Finish : Aluminium Color
Material : Aluminium
Avialable Size : 2.0 / 3.0 / 6.0



Calculate:H=(Height-57mm)

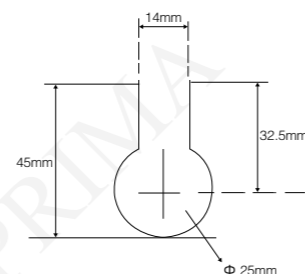
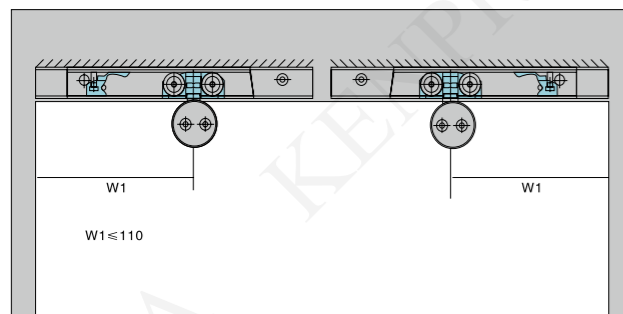
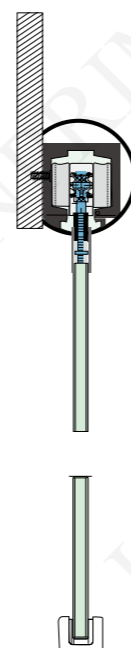
MODEL NO	DESCRIPTION	FINISHING	MATERIAL	SIZE	PACKING CTN	(RM)/UNIT
SLA-010	Aluminium Single Track	Aluminium	Aluminium	2.0Mtr	10/pcs	RM 200.00
	Aluminium Single Track	Aluminium	Aluminium	3.0Mtr	10/pcs	RM 300.00
	Aluminium Single Track	Aluminium	Aluminium	6.0Mtr	10/pcs	RM 600.00
SLA-011	Aluminium 1 Fixed 1 Slide Track	Aluminium	Aluminium	2.0Mtr	10/pcs	RM 220.00
	Aluminium 1 Fixed 1 Slide Track	Aluminium	Aluminium	3.0Mtr	10/pcs	RM 330.00
	Aluminium 1 Fixed 1 Slide Track	Aluminium	Aluminium	6.0Mtr	10/pcs	RM 660.00
SLA-012	Aluminium Double Track	Aluminium	Aluminium	2.0Mtr	10/pcs	RM 350.00
	Aluminium Double Track	Aluminium	Aluminium	3.0Mtr	10/pcs	RM 525.00
	Aluminium Double Track	Aluminium	Aluminium	6.0Mtr	10/pcs	RM 1050.00

SLB-001
Sliding Door Roller

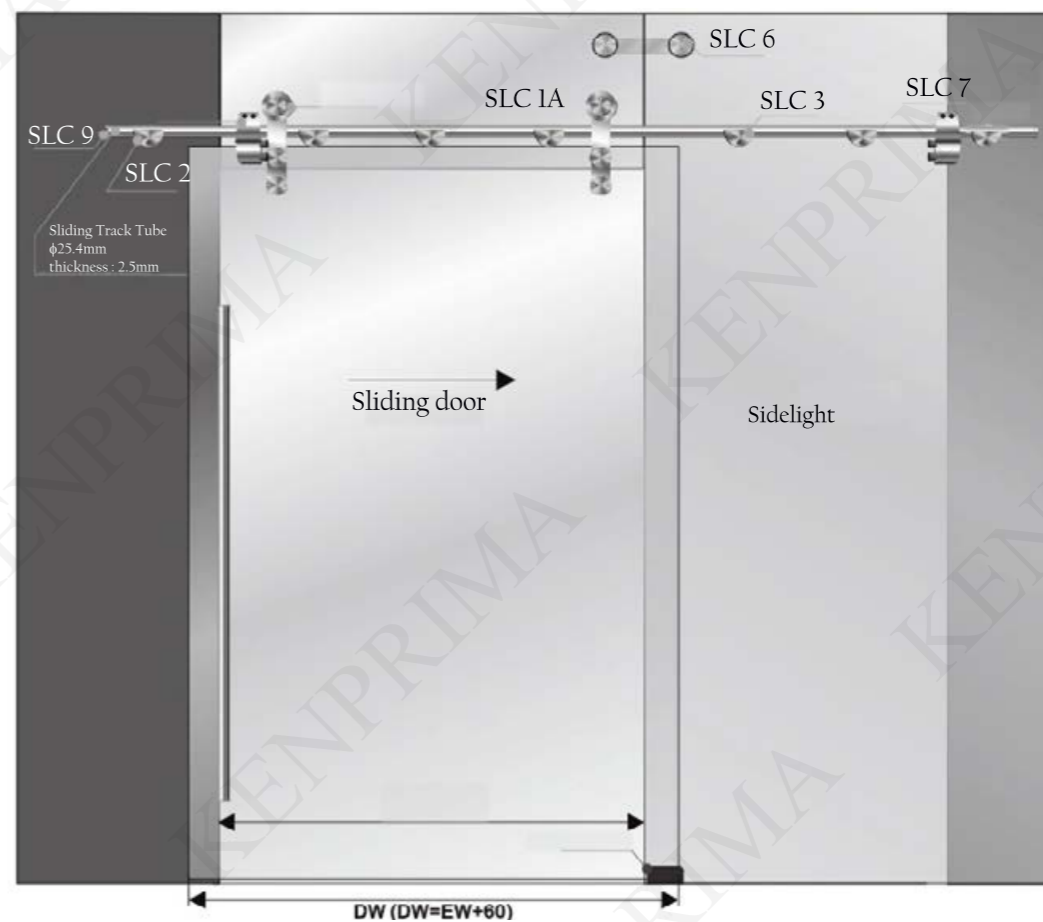


FEATURES :

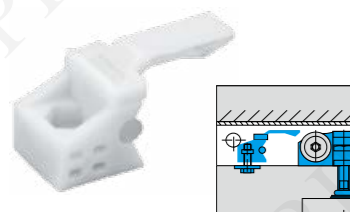
- Max.Door Leaf Width : 1000mm
- Max.Door Leaf Load : 90kgs~120kgs
- Glass Thickness : 8-12mm



SLC Sliding System



SLA-003
Stopper



SLA-007
Floor Guide



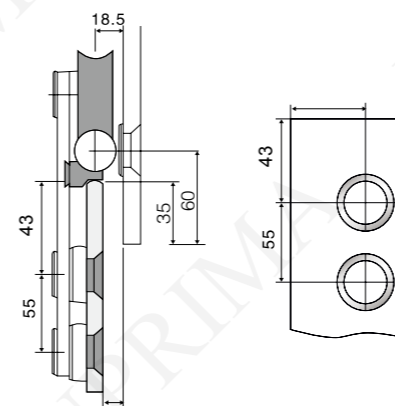
SLB-004 R/L
End Cap



SLB-010
Aluminium Track
Avaliable in Size : 2.5 mtr / 3.0 mtr



INSTALLING GLASS



13.5 / 10mm
11.5 / 12mm

W=overpanel width
W=sidelight width
W=door width

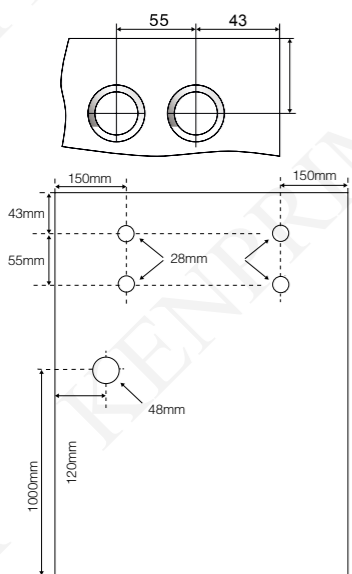
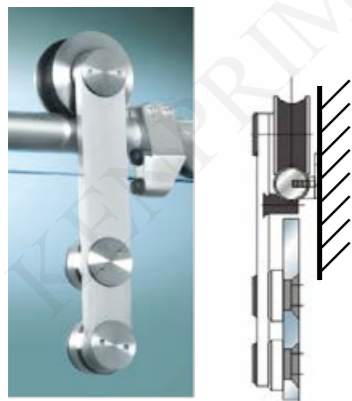
- *The distance for clamp fixing for track,wall fixing:
- 1.Weight 80kg:max-distance between the clamps=1/2 the width of the door;
 - 2.Weight 80kg-120kg:max-distance between the clamps=1/3 the width of the door;
 - 3.Weight 120kg-150kg:max-distance between the clamps=1/4 the width of the door;

TECHNOLOGICAL DATA

DAYLIGHT OPENING	ENTRY WIDTH	DOOR WIDTH	TUBE LENGTH
910-1010mm	800-900mm	880-980mm	2038mm
1010-1110mm	900-1000mm	980-1080mm	2238mm
1110-1210mm	1000-1100mm	1080-1180mm	2438mm
1210-1310mm	1100-1200mm	1180-1280mm	2638mm

MODEL NO	DESCRIPTION	FINISHING	MATERIAL	SIZE	PACKING		(RM)/UNIT
					BOX	CTN	
SLB-001	SLB-001 Sliding Door Roller@2Nos	Hairline	S/S		1set	5set	RM 300.00
	SLA-003 Stopper @ 1 Nos	CP	PVC				
	SLA-007 Floor Guide @ 1 Nos	Hairline	S/S				
	SLB-004 End Cap RH @ LH	Black	PVC				
SLB-010	Aluminium Track with Cover	Aluminium	Aluminium	2.5Mtr	1pcs	5pcs	RM 405.00
		Aluminium	Aluminium	3.0Mtr	1pcs	5pcs	RM 486.00

SLC-001-WALL



SLC-1A-2

Sliding Door Roller



SLC-2-4

Clamp for Pipe (Wall)



SLC-5-1

Floor Guide



SLC-4-2

Stopper



SLC-9-2

End Cap



SLC-25

Tubes
Size : 3000mm / 6000mm



SLC-K

Installation Tools



Max.Door Weight : 100 kgs
Glass Thickness : 10mm / 12mm
Material : Stainless Steel SUS 304
Finish : Hairline
Code : GSLC-001-W

SLC-001-GLASS



Max.Door Weight : 100 kgs
Glass Thickness : 10mm / 12mm
Material : Stainless Steel SUS 304
Finish : Hairline
Code : GSLC-001-G
< H=Height + 15mm >

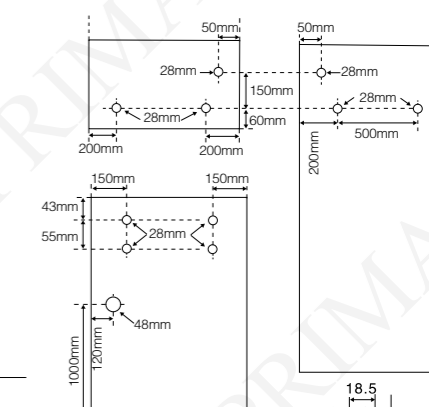
SLC-1A-2

Sliding Door Roller



SLC-3-4

Clamp For Pipe
Connection With Top Panel



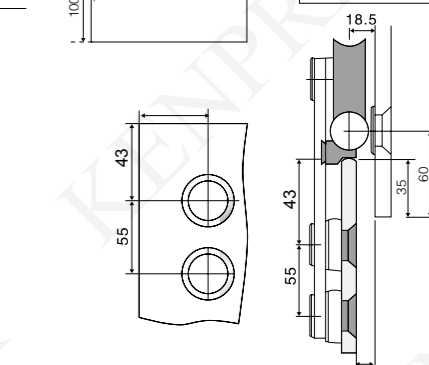
SLC-4R / L

Stopper



SLC-5

Floor
Guide



SLC-9

End Caps For Tube



SLC-25

Tubes
Size : 3000mm / 6000mm



SLC-K

Installation Tools



MODEL NO	DESCRIPTION	FINISHING	MATERIAL	SIZE	PACKING		(RM)/UNIT
					BOX	CTN	
SLC-001-W	SLC-1A Sliding Door Roller@2Nos	Hairline	S/S		1set	10set	RM 1,350.00
	SLC-2 Clamp for Pipe@ 4 Nos		S/S				
	SLC-5 Floor Guide @ 1 Nos		S/S				
	SLC-4 @ 1R & 1L		S/S				
	SLC-9 End Cap @ 2 Nos		S/S				
	SLC-K Installation Tools @ 1 Nos		S/S				
SLC-25	Stainless Steel Tubes for SLC Dia:25mm x 1.5mm(t)	Mirror	SUS 304	3.0Mtr	1pcs	10set	RM 219.00
				6.0Mtr	1pcs	10set	RM 348.00

MODEL NO	DESCRIPTION	FINISHING	MATERIAL	SIZE	PACKING		(RM)/UNIT
					BOX	CTN	
SLC-001-G	SLC-1A Sliding Door Roller@2Nos	Hairline	S/S		1set	10set	RM 1,350.00
	SLC-3 Clamp for Pipe@ 4 Nos		S/S				
	SLC-5 Floor Guide @ 1 Nos		S/S				
	SLC-4 @ 1R & 1L		S/S				
	SLC-9 End Cap @ 2 Nos		S/S				
	SLC-K Installation Tools @ 1 Nos		S/S				
SLC-25	Stainless Steel Tubes for SLC Dia:25mm x 1.5mm(t)	Mirror	SUS 304	3.0Mtr	1pcs	10set	RM 219.00
				6.0Mtr	1pcs	10set	RM 438.00

SLC-002-GLASS



SLC-1B-2
With Double Roller



SLC-3-4
Clamp For Pipe
Connection With Top Panel



SLC-4R / L
Stopper



SLC-5
Floor Guide



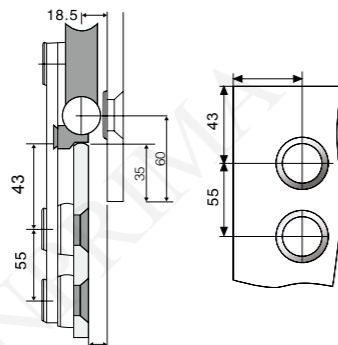
SLC-9
End Caps For Tube



SLC-25
Tubes
Size : 3000mm / 6000mm



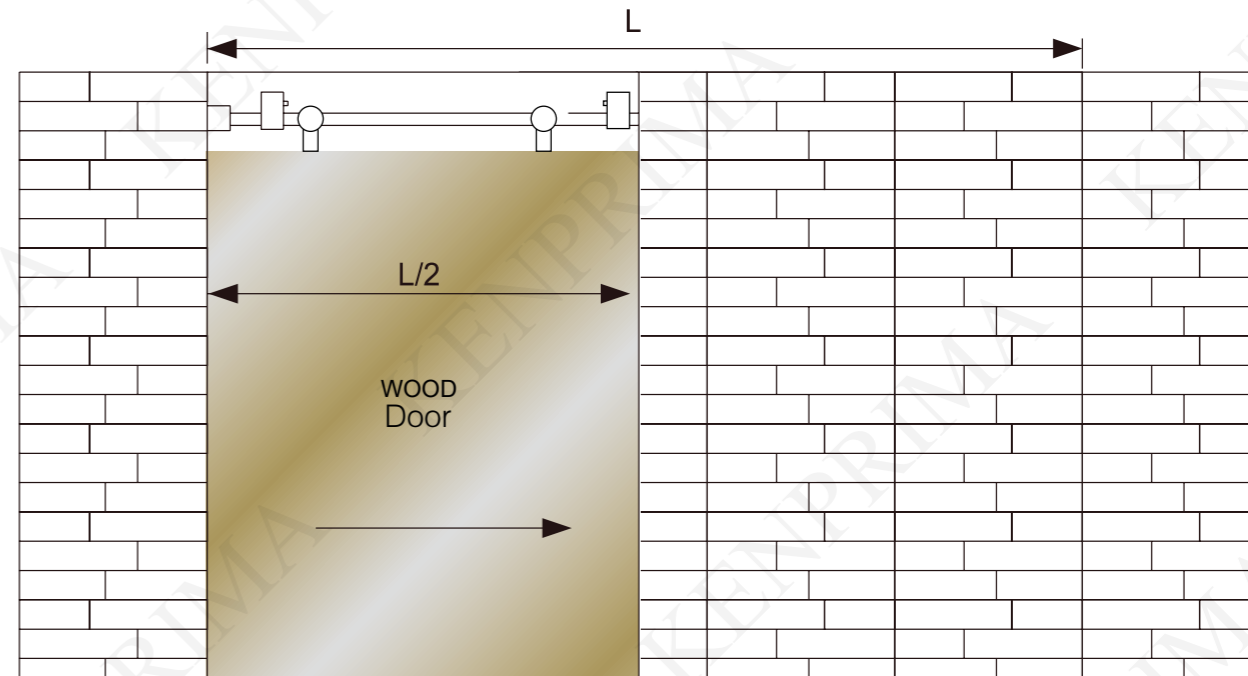
SLC-4-2
Installation Tools



Max.Door Weight : 150 kgs
 Glass Thickness : 10mm / 12mm
 Material : Stainless Steel SUS 304
 Finish : Hairline
 Code : GSLC-002-G
 < H=Height +15mm >

MODEL NO	DESCRIPTION	FINISHING	MATERIAL	SIZE	PACKING		(RM)/UNIT
					BOX	CTN	
SLC-002-G	SLC-1B Sliding Door Roller@2Nos	Hairline	S/S	3.0Mtr	1pcs	10set	RM 1,750.00
	SLC-3 Clamp for Pipe@ 4 Nos		S/S				
	SLC-5 Floor Guide @ 1 Nos		S/S				
	SLC-4 @ 1R & 1L		S/S				
	SLC-9 End Cap @ 2 Nos		S/S				
	SLC-K Installation Tools @ 1 Nos		S/S				
SLC-25	Stainless Steel Tubes for SLC Dia:25mm x 1.5mm(t)	Mirror	SUS 304	3.0Mtr	1pcs	10set	RM 219.00
				6.0Mtr	1pcs	10set	RM 438.00

SLC-003-WOODEN DOOR



SLC-1C
Sliding Door Roller
For Wood Door



SLC-2-4
Clamp For Pipe
Connection With Wall



SLC-25
Size : 3000mm / 6000mm



SLC-4W
Stopper R / L



SLC-5W
Floor Guide



Max.Door Weight : 150kgs
 Glass Thickness : 10mm / 12mm
 Material : Stainless Steel SUS 304
 Finish : Hairline
 Code : GSLC-003-WOOD

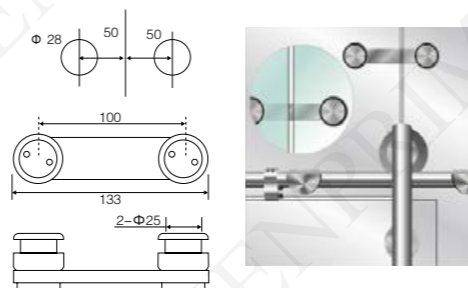
MODEL NO	DESCRIPTION	FINISHING	MATERIAL	SIZE	PACKING		(RM)/UNIT
					BOX	CTN	
SLC-003-WD	SLC-1C Sliding Door Roller@2Nos	Hairline	S/S	3.0Mtr	1pcs	10set	RM 1,350.00
	SLC-2 Clamp for Pipe@ 4 Nos		S/S				
	SLC-5-W Floor Guide @ 1 Nos		S/S				
	SLC-4 @ 1R & 1L		S/S				
	SLC-9 End Cap @ 2 Nos		S/S				
	SLC-K Installation Tools @ 1 Nos		S/S				
SLC-25	Stainless Steel Tubes for SLC Dia:25mm x 1.5mm(t)	Mirror	SUS 304	3.0Mtr	1pcs	10set	RM 219.00
				6.0Mtr	1pcs	10set	RM 438.00

SLC-6

Vertical Fixing Connector(2 Point)



Vertical Fixing Connector(2 Point)
Material : Stainless Steel 304
Finish : SS
Code : GSLCY-6

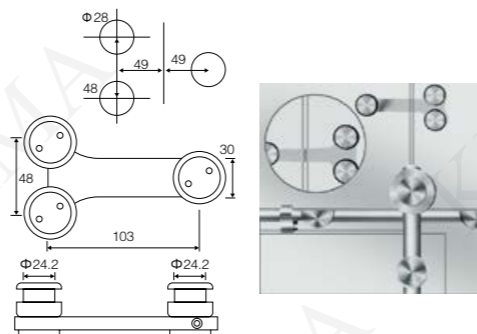


SLC-6A

Vertical Fixing Connector(3 Point)



Vertical Fixing Connector(3 Point)
Material : Stainless Steel 304
Finish : SS
Code : GSLCY-6A

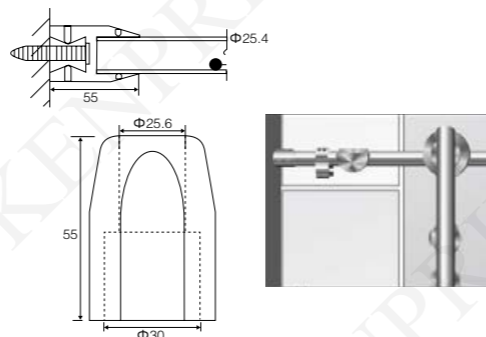


SLC-7

Fixing Connector(Wall to Pipe)



Fixing Connector
Between Tube And Wall
Material : Stainless Steel 304
Finish : SS
Code : GSLCY-7

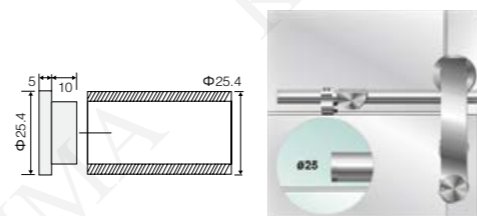


SLC-8

End Cap For Tube



Adjustable Single Clamp
Material : Stainless Steel 304
Finish : SS
Code : GSLCY-8



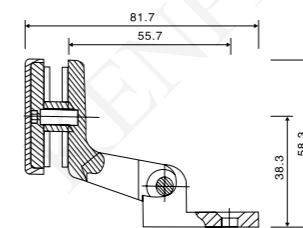
MODEL NO	DESCRIPTION	FINISHING	MATERIAL	PACKING		(RM)/UNIT
				BOX	CTN	
SLC-6	Vertical Fixing Connector (2 Point)	Hairline	S/S	3nos	30nos	RM 160.00
SLC-6A	Vertical Fixing Connector (3 Point)	Hairline	S/S	2nos	20nos	RM 220.00
SLC-7	Fixing Connector (Wall to Pipe)	Hairline	S/S	1nos	100nos	RM 125.00
SLC-8	End Cap For Tube	Hairline	S/S	10nos	100nos	--

PR91

Glass to wall



Finish : Mirror
Material : Stainless Steel
Code : SHPR91

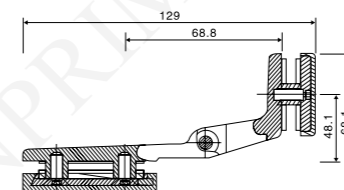


PR92

Glass to Glass



Finish : Mirror
Material : Stainless Steel
Code : SHPR92

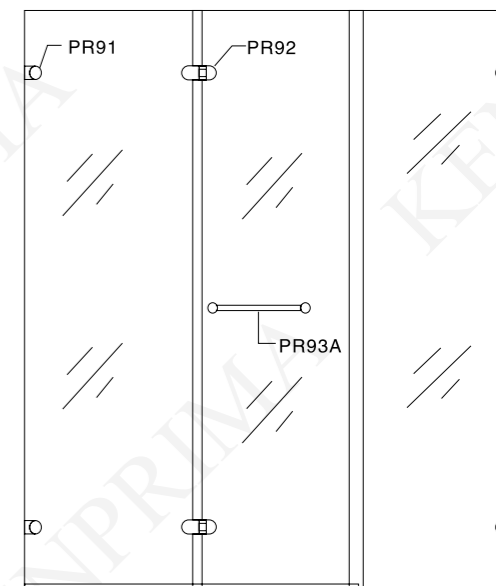
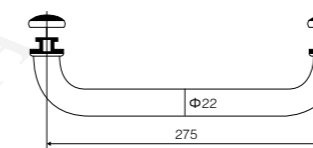


PR93

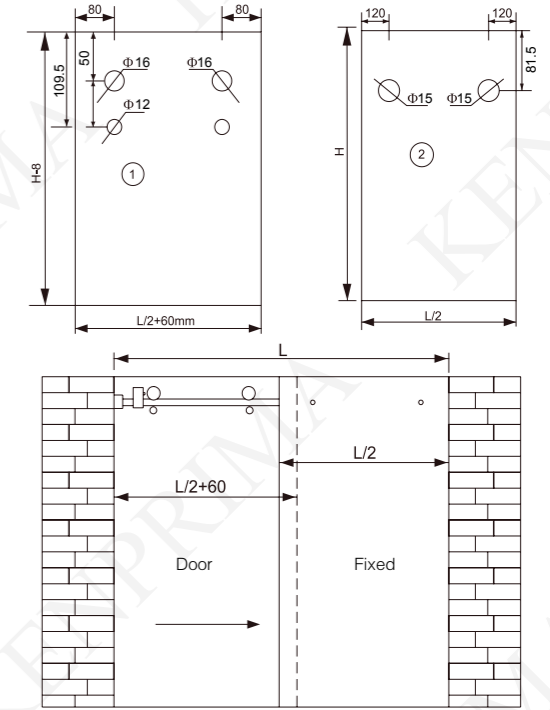
Shower handle



Finish : Mirror
Material : Stainless Steel
Code : SHPR93



MODEL NO	DESCRIPTION	FINISHING	MATERIAL	PACKING 1 set	(RM)/UNIT
SHPR-91	Glass To Wall Hinges	Mirror	S/S	2 nos	RM 1,020.00
SHPR-92	Glass To Glass Hinges	Mirror	S/S	2 nos	
SHPR-93	Shower Handle	Mirror	S/S	1 pcs	



Nonstandard shower room installation digram

Instructions :

1. Maximum weight weganing of the shower room : 65KG.
2. 180 maximum installation length is 1.8m.90° dual-open door maximum installation length is 1.0m.
3. There are no drilled holes in the guide rails ordered by users. Holes shall be made during installation.
4. The accessories are only suitable for clamping 8mm-10mm glass.
5. When drilling holes in glass, please do strictly in accordance with dimensions in the installation diagram.
6. Every type can install 90° dual-open, 90° single-open and 180

SLD 001

Top Roller (Door)



SLD 002

Centre Fixed (Track)



SLD 003

Bottom Roller (Door)



SLD 004

Door Stopper



SLD 005

Floor Guide



SLD 006

End Cap



SLD 007

L Shape
Corner Bracket

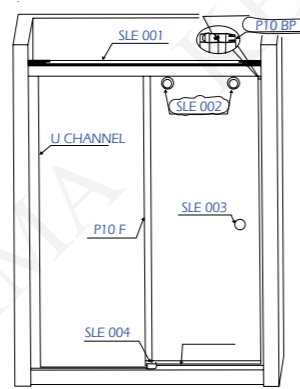


SLA 002

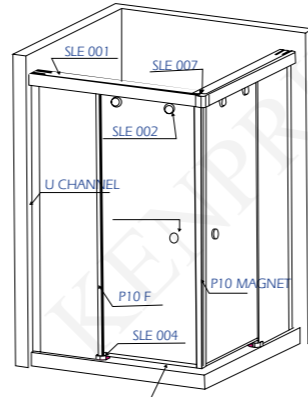
Shower
Door Knobs



MODEL NO	DESCRIPTION	FINISHING	MATERIAL	SIZE	PACKING		(RM)/UNIT
					BOX	CTN	
SLD-001	SLD 001 Top Roller @ 2 Nos	Hairline	S/S		1set	10set	RM 440.00
	SLD 002(Track)Centre Fixed @2Nos	Hairline	S/S				
	SLD 003(Door)Bottom Patch @2Nos	Hairline	S/S				
	SLD 004 Door Stopper @ 2 Nos	Hairline	S/S				
	SLD 005 Floor Guide @ 1 Nos	Hairline	S/S				
SLD-001-T	SLD 006 End Cap @ 2 Nos	Hairline	S/S		1pcs	5set	RM 485.00
	SLD-001-T Track Only	Hairline	S/S	2.0Mtr	1pcs	5set	RM 750.00
			S/S	4.0Mtr	1pcs	5set	RM 750.00

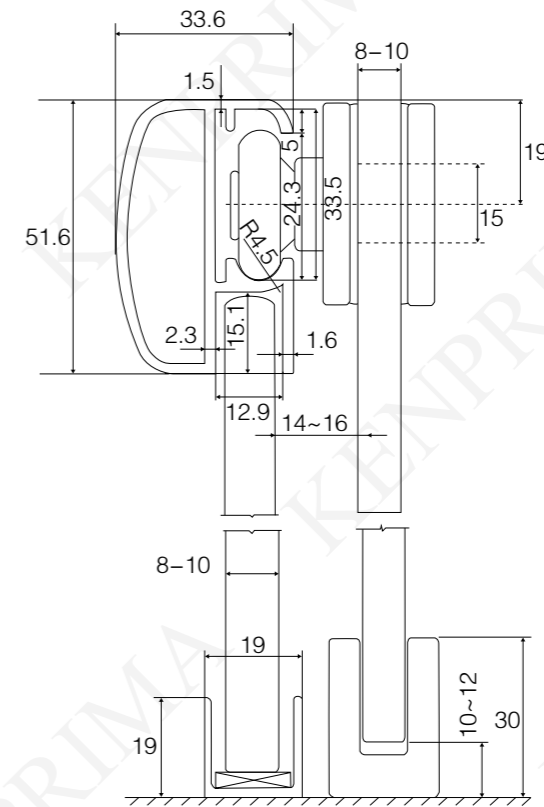


Max.Weight : 50 Kgs
 Track : 2.0Mtr / 3.0Mtr / 4.0Mtr
 Finish : Polish
 Glass Thickness : 8-10mm
 Code : GSLE001

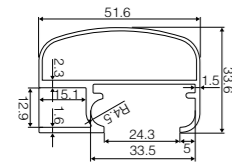


Max.Weight : 35 Kgs
 Track : 2.0Mtr / 3.0Mtr
 Finish : Polish
 Glass Thickness : 8-10mm
 Code : GSLE001-L

GLASS OPENING DETAIL

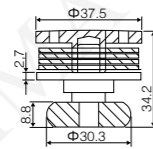


SLE 001



SLE 002

Roller



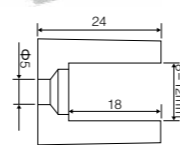
SLE 003

Handle Knob



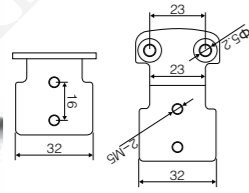
SLE 004

Floor Guide



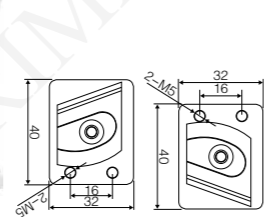
SLE 005

Corner Bracket



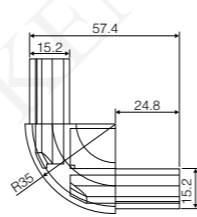
SLE 006

Bracket With Stopper

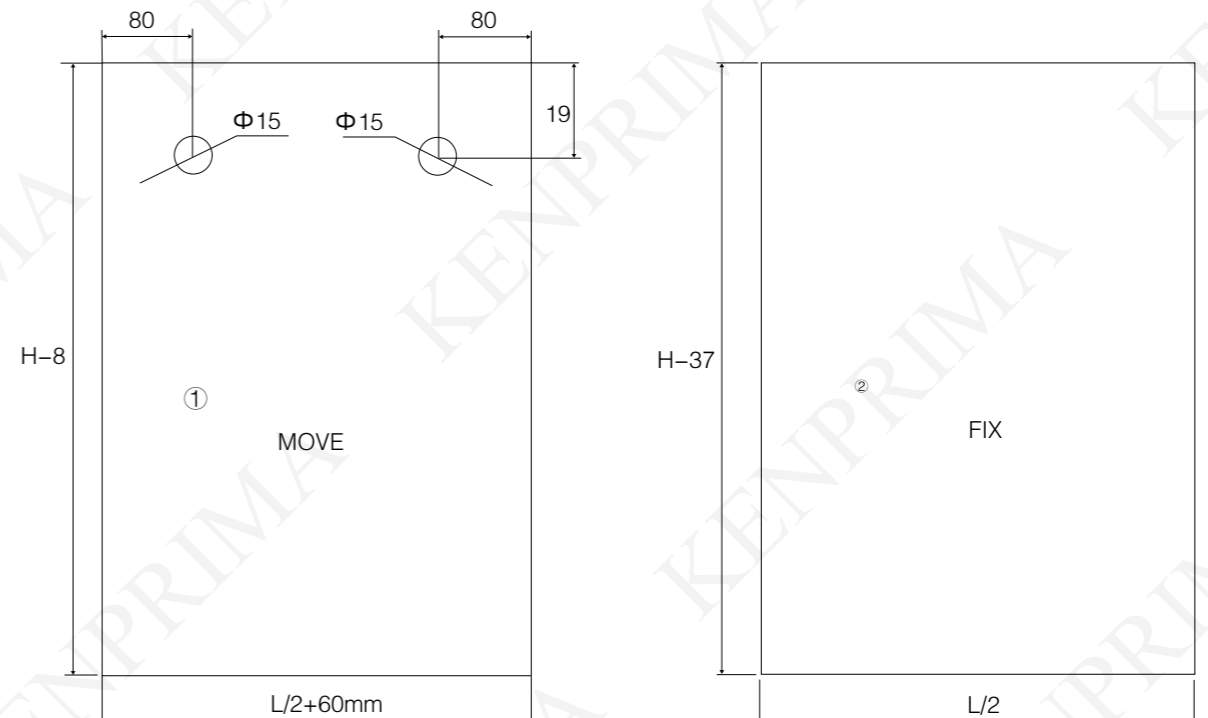


SLE 007

L Corner Connector



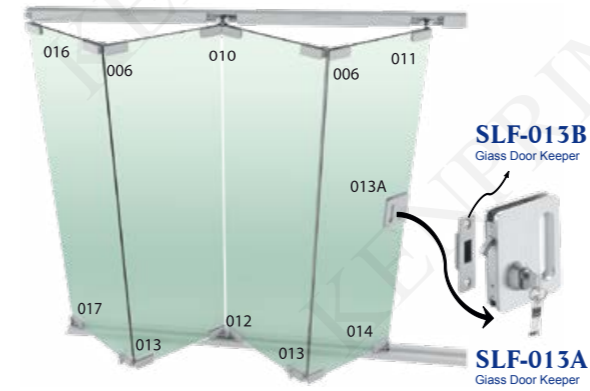
MODEL NO	DESCRIPTION	FINISHING	MATERIAL	SIZE	PACKING		(RM)/UNIT
					BOX	CTN	
SLE-001	SLE 002 Roller @ 2 Nos	Hairline	S/S		1set	20set	RM 220.00
	SLE 003 Handle Knob @ 1 Nos	Hairline	S/S				
	SLE 004 Floor Guide @ 1 Nos	Hairline	S/S				
	SLE 005 Corner Bracket @ 2 Nos	Hairline	S/S				
	SLE 006 Bracket WT Stopper @2Nos	Hairline	S/S				
SLE-001-T	SLE-001-T Track Only	Hairline	S/S	2.0Mtr	1pcs	5pcs	RM 472.00
				3.0Mtr	1pcs	5pcs	RM 604.00
SLE-007	L Corner Connector	Hairline	S/S		1pcs	50pcs	RM 80.00





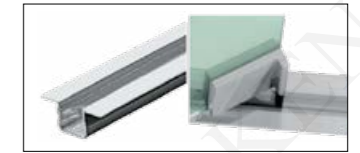
SLF-001

Maximum Weight
Per Panel : 90 Kgs



SLF-015

S/S Bottom Track



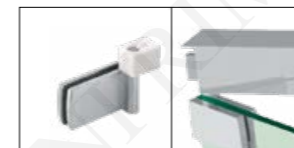
SLF-001

Aluminium Top Track



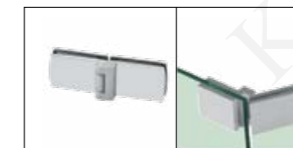
SLF-016

Top Side Hinge



SLF-006

Mid Hinge



SLF-010

Mid Hinge Wt Roller



SLF-011

Side Hinge Roller



SLF-017

Side Bottom Guide



SLF-013

Mid Hinge Wt Stopper



SLF-012

Mid Bottom Guide



SLF-014

Side Bottom Guide

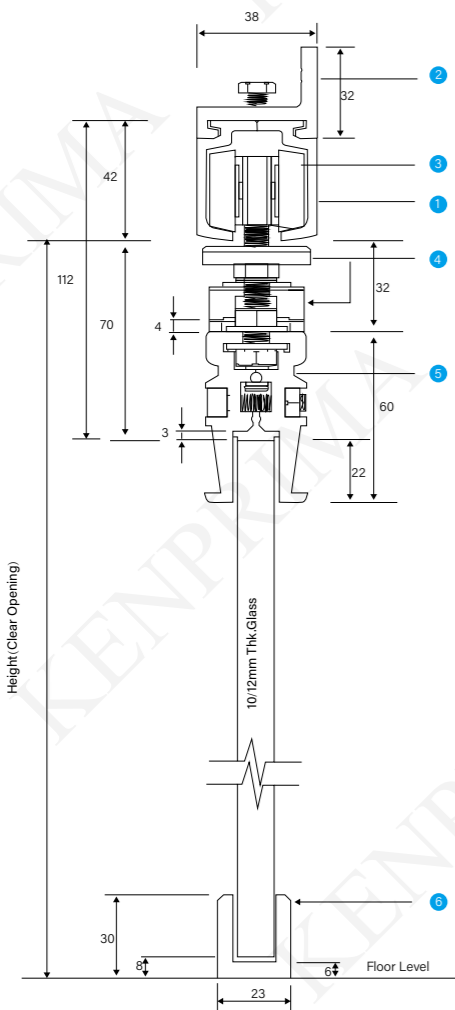
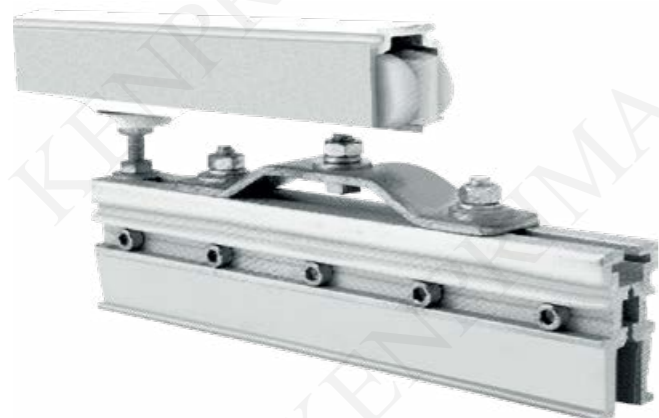


SLF-018RH/018LH

Side Hinge Bottom Wt Stopper



MODEL NO	DESCRIPTION	FINISHING	MATERIAL	SIZE	PACKING		(RM)/UNIT
					BOX	CTN	
SLF-016	Top Side Hinge	Hairline	S/S		1nos	10nos	RM 413.60
SLF-006	Mid Hinge	Hairline	S/S		1nos	10nos	RM 456.00
SLF-010	Mid Hinge with Roller	Hairline	S/S		1nos	10nos	RM 682.00
SLF-011	Side Hinge Roller	Hairline	S/S		1nos	10nos	RM 646.80
SLF-017	Side Bottom Guide	Hairline	S/S		1nos	10nos	RM 413.60
SLF-013	Mid Hinge with Stopper	Hairline	S/S		1nos	10nos	RM 756.60
SLF-012	Mid Hinge Bottom Guide	Hairline	S/S		1nos	10nos	RM 646.80
SLF-014	Side Bottom Guide	Hairline	S/S		1nos	10nos	RM 413.60
SLF-018-RH	Side Hinge Bottom with Stopper	Hairline	S/S		1nos	10nos	RM 470.80
SLF-018-LH	Side Hinge Bottom with Stopper	Hairline	S/S		1nos	10nos	RM 470.80
SLF-015	Aluminium Top Track	Hairline	Aluminium	4.0Mtr	1pcs	5pcs	RM 800.00
SLF-001	S/S Bottom Track	Hairline	S/S	4.0Mtr	1pcs	5pcs	RM 880.00

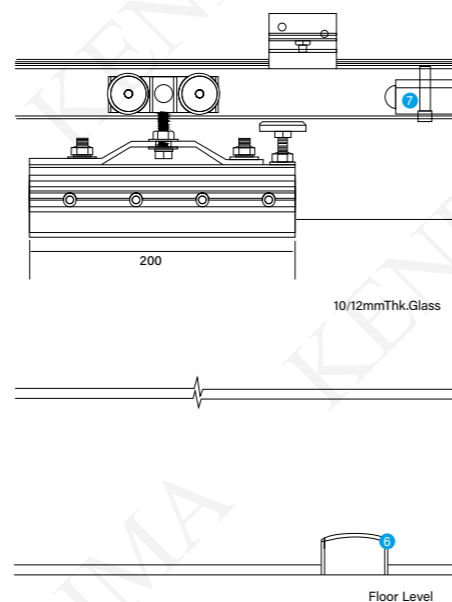


Applications

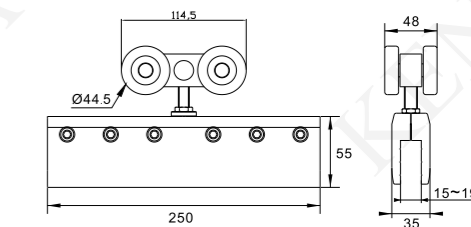
Suitable for **250kg** (max) or 10ft x 9ft x 12mm thk glass panel

Components

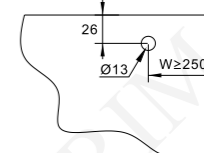
- ① B854 Aluminium Top Track(2.5mtr)
- ② Wall Mount Bracket(3nos)
- ③ O 29 x 8mm Carriage Roller(2nos)
- ④ C/W hanging strap & anti-jump device
- ⑤ 200mm Glass Clamp(2nos)
- ⑥ Nylon Floor Guide(1nos)
- ⑦ End Stopper(2nos)



MODEL NO	DESCRIPTION	CAPACITIES	TRACK SIZE	(RM)/UNIT
GSTGEAR SPF-50	Wall Mount Bracket @ 3 nos	250kgs	2.5 Mtr	RM 2,250.00/SET
	Carriage Roller @ 2 nos			
	200mm Glass Clamp @ 2 nos		3.0 Mtr	RM 2,475.00/SET
	Nylon Floor Guide @ 1 nos			
	Stopper @ 2 nos			



Glass Door Hole Size



Features

- For single or double leaf doors
- Height adjustment of 10mm
- Max door weight 350kg
- For glass thickness 15、17、19mm

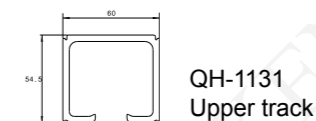
Materials and Finishes

Sliding track:Aluminium,Anodized
Hanging roller:Aluminium,Anodized
Glass Clamp:aluminum,Sand blasting

Standard configuration

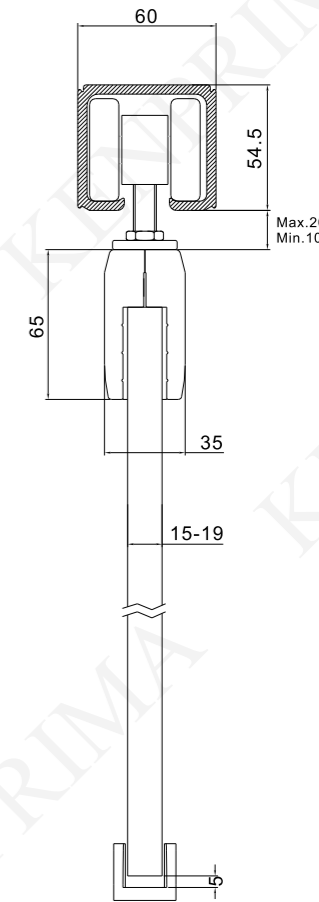
	Hanging roller	2 /pcs
	Glass clamp	2 /pcs
	Door stop	2 /pcs
	Bottom guide	1 /pcs
	Screws	1 /pcs

Accessories Optional



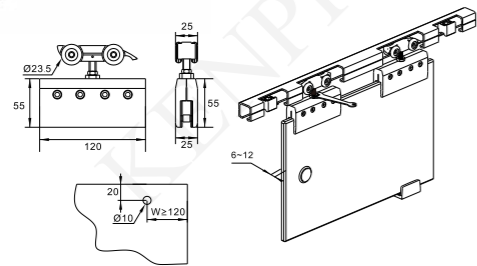
QH-1131 Upper track

MODEL NO	DESCRIPTION	CAPACITIES	TRACK SIZE	(RM)/UNIT
HL-002	Hanging Roller @ 2nos	350kgs	3.0mtr	RM 2,020.00/SET
	Glass Clamp @ 2pcs			
	Door Stopper @ 2pcs		6.0 Mtr	RM 3,030.00/SET
	Bottom Guide @ 1pcs			



GSDB-423-4B

Sliding Door Roller with Clamp



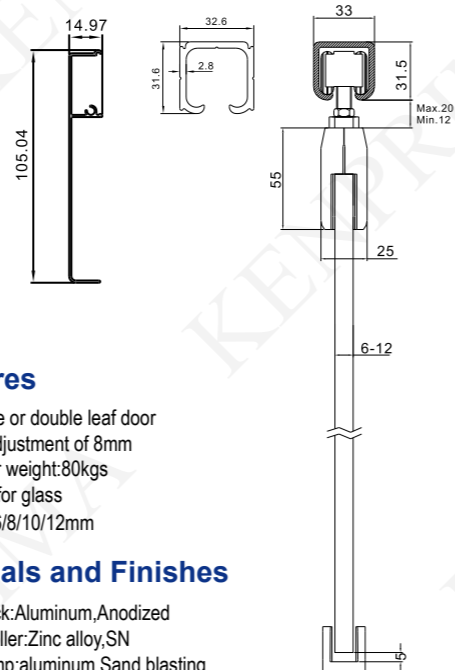
Glass Door Hole Size

Features

- For single or double leaf door
- Height adjustment of 8mm
- Max door weight:80kgs
- Suitable for glass thickness:6/8/10/12mm

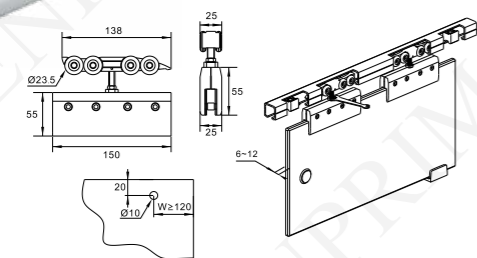
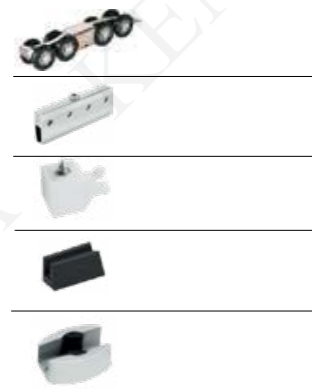
Materials and Finishes

Sliding track:Aluminum,Anodized
Hanging roller:Zinc alloy,SN
Glass Clamp:aluminum,Sand blasting



GSDB-823-8B

Sliding Door Roller with Clamp



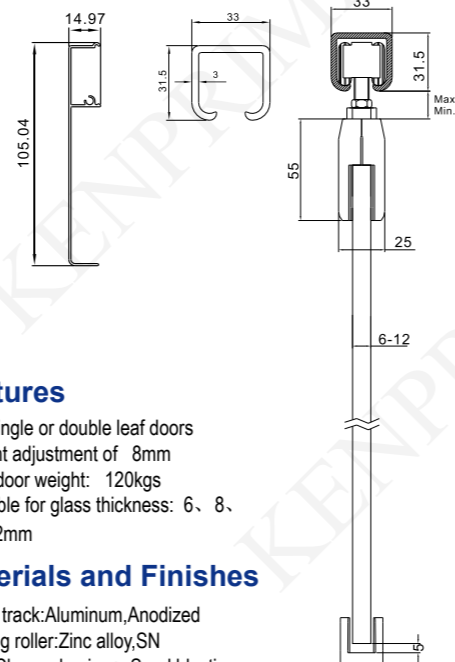
Glass Door Hole Size

Features

- For single or double leaf doors
- Height adjustment of 8mm
- Max door weight: 120kgs
- Suitable for glass thickness: 6、 8、 10、 12mm

Materials and Finishes

Sliding track:Aluminum,Anodized
Hanging roller:Zinc alloy,SN
Glass Clamp:aluminum,Sand blasting



GSAD-ML01-S/D

Magnetic auto sliding door with clamp w/o opening hole

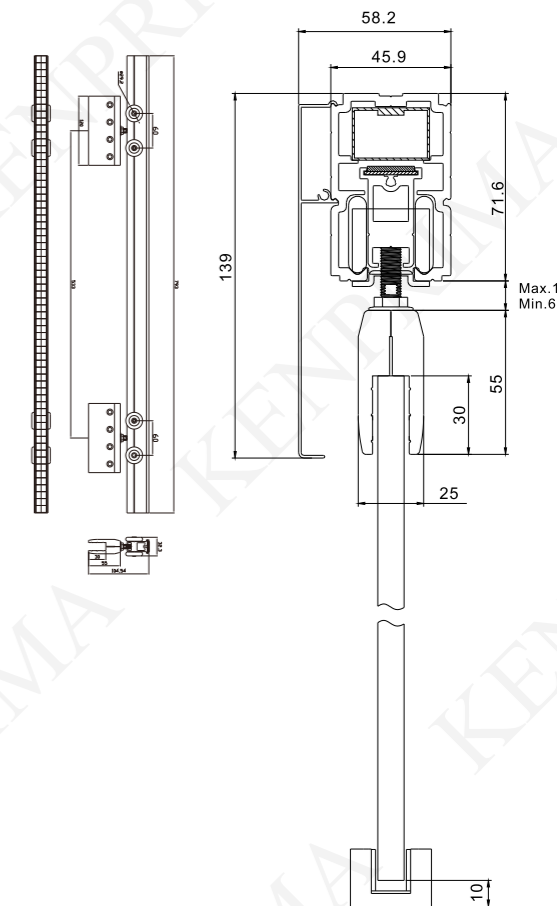


Features

- For single or double leaf doors
- height adjustment of 5mm
- Max door weight 80kg
- For glass thickness 6、 8、 10、 12mm
- door width 800-1500mm
- Noise ≤40dB
- Standby power consumption ≤100W
- Reaistance speed 200-500mm/sec
- Operational power consumption ≤100W
- Running-Rebound ≤10N
- voltage(dc) 220V/110V

Standard configuration

	Hanging roller	1 /pcs
	Glass clamp	2 /pcs
	Door stop	2 /pcs
	Bottom guide	1 /pcs
	Screws	1 /pcs



Accessories Optional



Close-distance infrared sensor



Single, Double-faced Switch



Long-distance Sensor

MODEL NO	DESCRIPTION	CAPACITY	FINISHING	SIZE	GLASS THICKNESS (mm)	MATERIAL	PACKING SET	(RM)/UNIT
GSDB-423-4B	Sliding hanging 4 roller with clamp w/o opening hole	80kgs	Aluminium		6,8,10,12	Aluminium/Zinc	1 set	RM 167.50
GSDB-823-8B	Sliding hanging 8 roller with clamp w/o opening hole	120kgs	Aluminium		6,8,10,12	Aluminium/Zinc	1 set	RM 207.50
GSDB-G09A	Aluminium Track		Aluminium	2.0 Mtr		Aluminium/Zinc	1 set	RM 125.00
				4.0 Mtr				RM 250.00
GSDB-G09B	Capping for G09A Track use		Aluminium	2.0 Mtr		Aluminium/Zinc	1 set	RM 75.00
				4.0 Mtr				RM 150.00

MODEL NO	DESCRIPTION	CAPACITY	GLASS THICKNESS (mm)	SIZE	FINISHING	MATERIAL	PACKING SET	(RM)/UNIT
GSAD-ML01-S	Single Leaf Magnetic auto sliding door with clamp w/o opening hole	80kgs	6,8,10,12	2.0Mtr	Aluminium	Aluminium/Zinc	1 set	RM 7,500.00
			6,8,10,12	4.0Mtr	Aluminium	Aluminium/Zinc	1 set	RM 8,000.00
GSAD-ML01-D	Double leaf Magnetic auto sliding door with clamp w/o opening hole	80kgs	6,8,10,12	2.0Mtr	Aluminium	Aluminium/Zinc	1 set	RM 15,000.00
			6,8,10,12	4.0Mtr	Aluminium	Aluminium/Zinc	1 set	RM 16,000.00

Name	Package Fittings(single door)	Door Width≤1500mm
BZD01 Semi-Auto Sliding Door System		
BZD02 Semi-Auto Sliding Door System		

SEMI-AUTO

Product Features:

1.Open easily and close automatically

Automatically door system adopts traction coiling automatic technology, quiet, automatic and adjustable.

2.Simple construction , easily assembly

Each part is well-designed. Easily install and disassemble.

3.Flexibility install

This system can be used to different door construction.

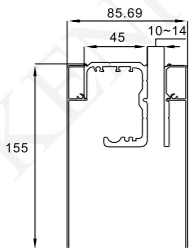
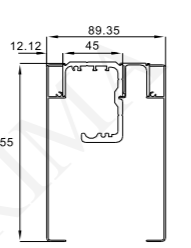
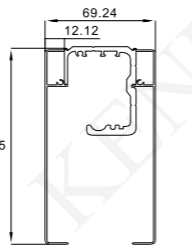
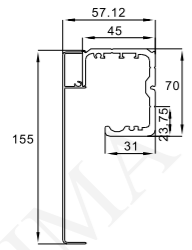
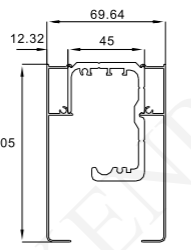
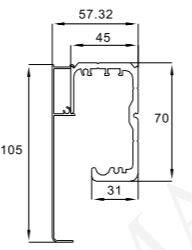
4.Stable performance

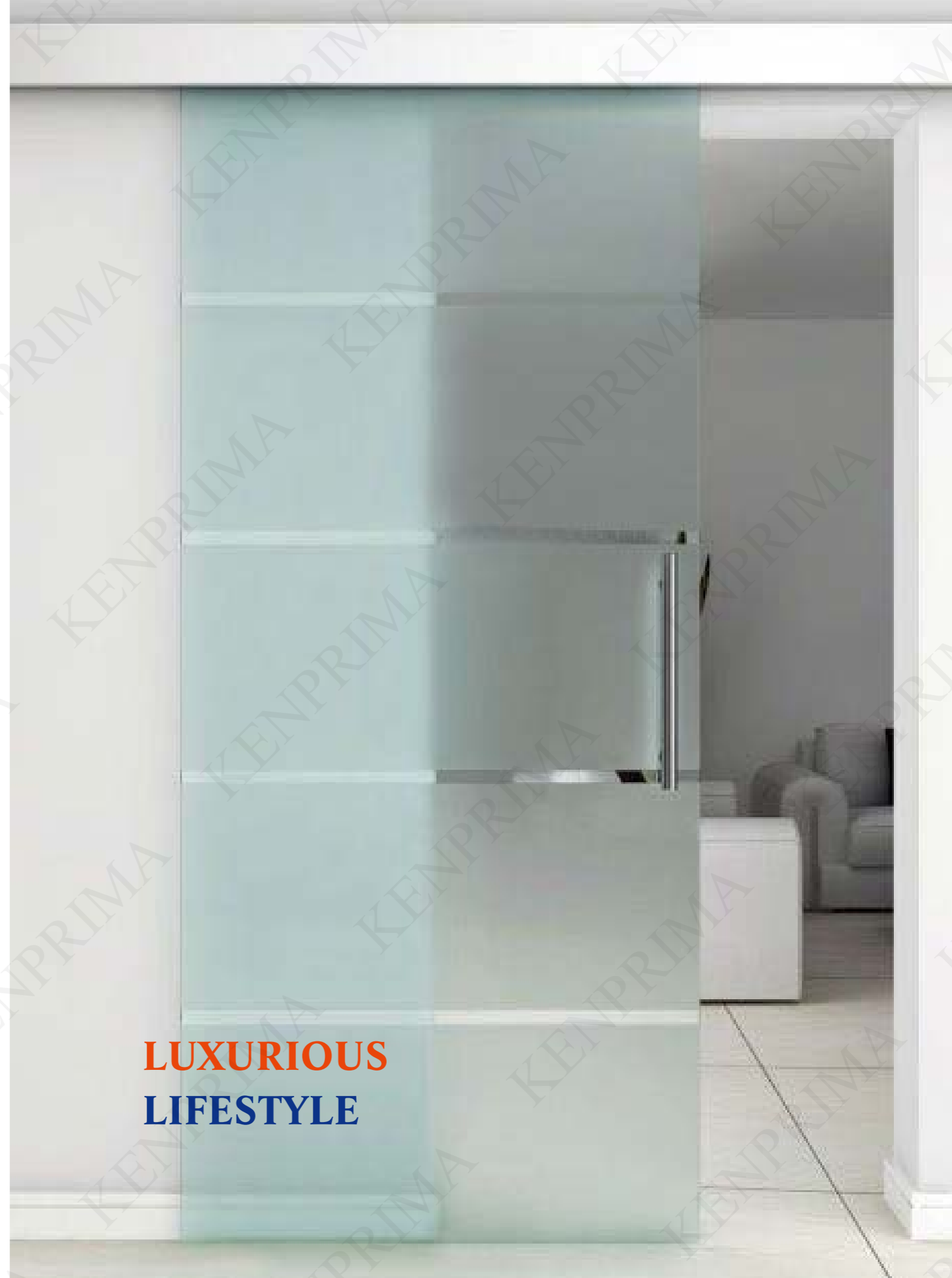
High quality assures stable performance. The door closes with stable speed.

5.No power supply device

No power is needed. When the door is fully open, it will be fixed and keep open. If not, the door will close automatically.

TRACK

 Combination:G16B, G16, G16C,G16B used for side mounting on glass door	 Combination:G16B, G16, G16C,G16B used for top mounting at top of glass door	 Combination:G16B, G16, G16C,G16B used for top mounting for glass door
 Combination:G16B, G16 used for side mounting for glass door	 Combination:G09B, G16 used for top mounting for wooden door	 Combination:G09B, G16 used for side mounting for wooden door



**LUXURIOUS
LIFESTYLE**



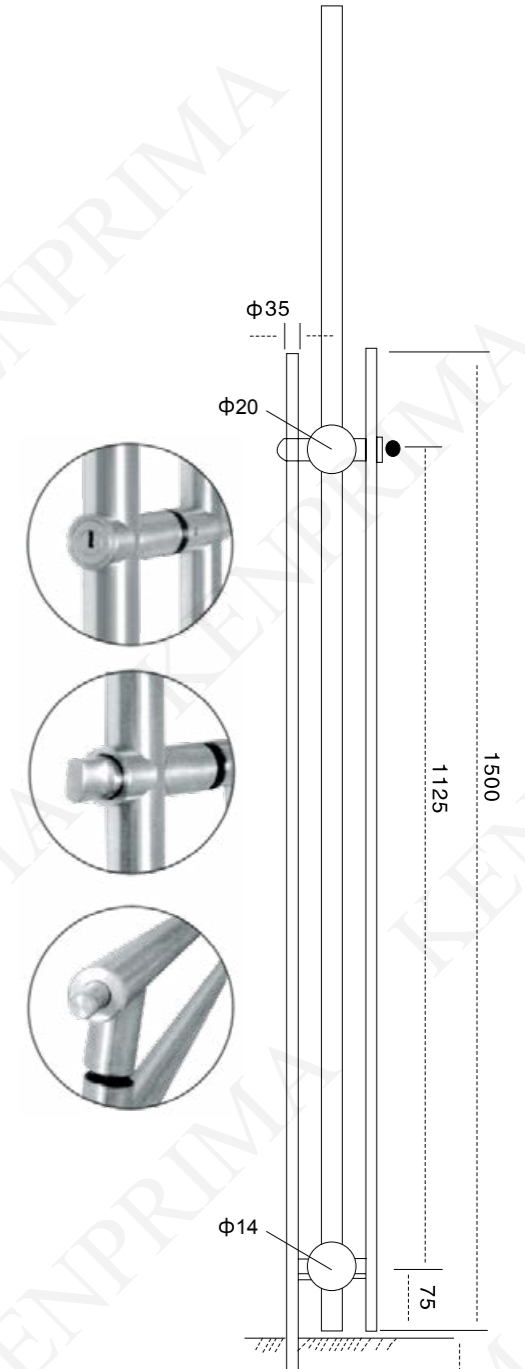
HK-82B-SQ

HK-82B

Material : Stainless Steel

Finish : Hairline

Function : Thumbturn One Way Lock



**** Hollow ****
Code : SSHK82B-SQ
D : 38mm x 25mm
C-C : 1125mm
L : 1500mm

**** Round ****
Code : SSHK82B
D : 35mm
C-C : 1125mm
L : 1500mm



Big Handle with Lock
No need to squat down to open the glass door.

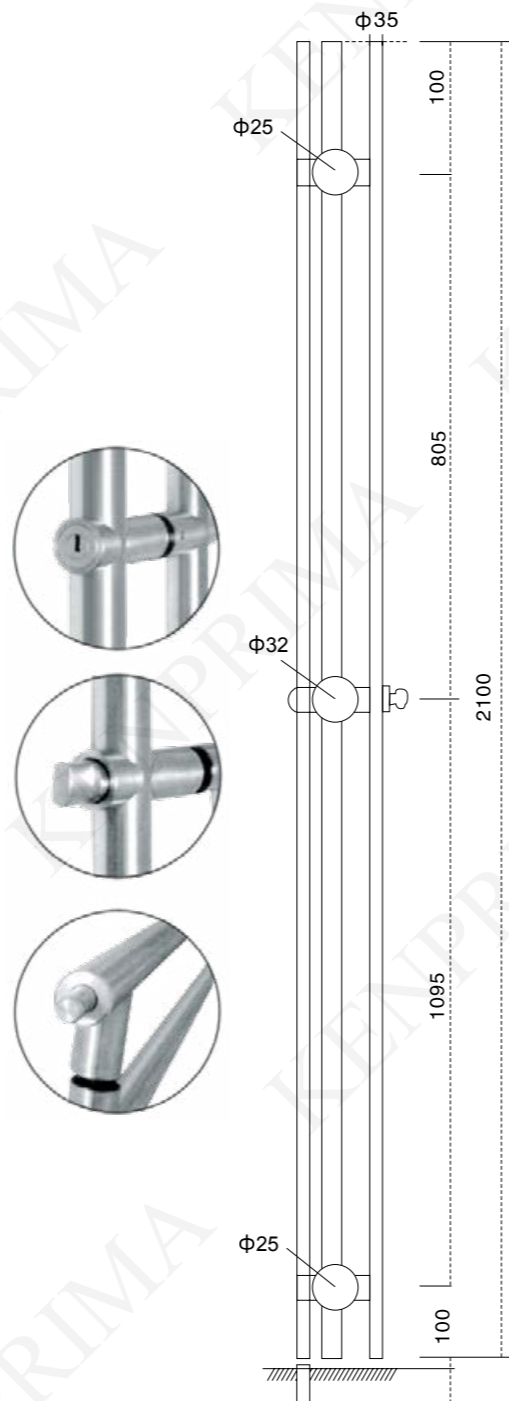
MODEL NO	DESCRIPTION	SIZE	FINISHING	MATERIAL	PACKING		(RM)/UNIT
					BOX	CTN	
SSHK82B-SQ	Stainless steel handle with Key	1500mm	Hairline	SUS 304	1 prs	5prs	RM 925.00
SSHK82B	Stainless steel handle with Key	1500mm	Hairline	SUS 304	1 prs	5prs	RM 950.00



HK-82A-SQ

HK-82A

Material : Stainless Steel
 Finish : Hairline
 Function : Thumbturn One Way Lock



**** Hollow ****
 Code : SSHK82A-SQ
 D : 38mm x 25mm
 C-C : 805 / 1095mm
 L : 2100mm

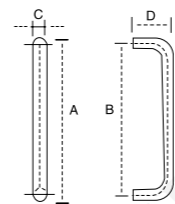
**** Round ****
 Code : SSHK82A
 D : 35mm
 C-C : 805 / 1095mm
 L : 2100mm

MODEL NO	DESCRIPTION	SIZE	FINISHING	MATERIAL	PACKING		(RM)/UNIT
					BOX	CTN	
SSHK82A-SQ	Stainless steel handle with Key	2100mm	Hairline	SUS 304	1 prs	10prs	RM 1,237.50
SSHK82A	Stainless steel handle with Key	2100mm	Hairline	SUS 304	1 prs	10prs	RM 1,125.00



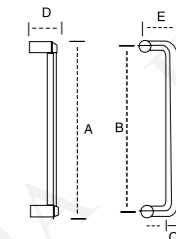
SS712

Stainless steel pull handle



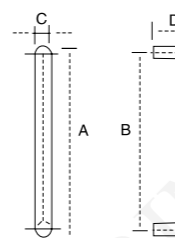
SS712-N

Stainless steel pull handle



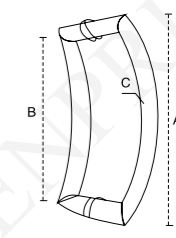
SS-117

Stainless steel pull handle



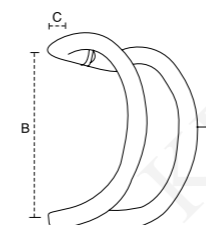
SS712-C1

Stainless steel pull handle



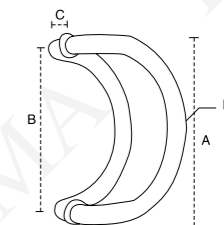
SS712-C2

Stainless steel pull handle



SS712-C3

Stainless steel pull handle

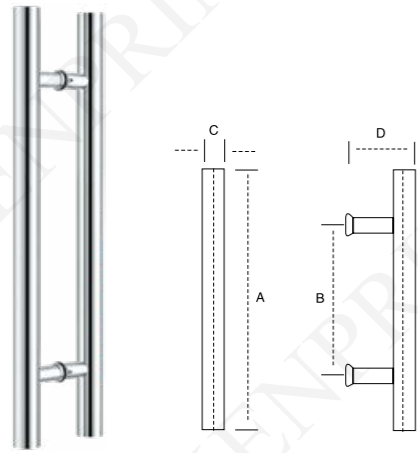


MODEL NO	MATERIAL	FINISHING	SIZE	A	B	C	D	E	PACKING	(RM)/UNIT
SS712	Stainless steel	Mirror	25x275x300	300	275	25	70	-	40prs	RM 41.25
			25x425x450	450	425	25	76	-	-	-
SS712-N	Stainless steel	Mirror	25x275x300	300	275	25	70	80	24prs	RM 87.50
SSLY-117	Stainless steel	Mirror	25x275x300	300	275	25	70	-	40prs	RM 75.00
SS712-C1	Stainless steel	Mirror	25x275x300	300	275	25	76	-	40prs	RM 60.00
SS712-C2	Stainless steel	Mirror	25x275x300	300	275	25	76	-	-	RM 150.00
SS712-C3	Stainless steel	Mirror	25x275x300	300	275	25	70	-	12prs	RM 95.00



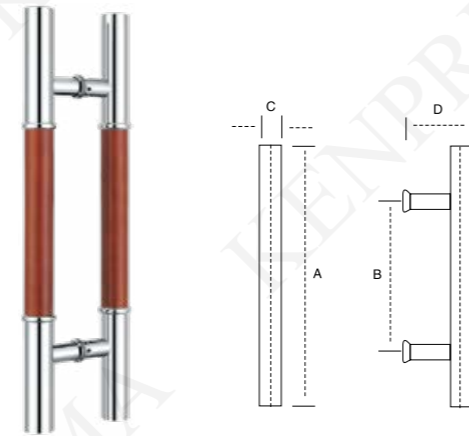
HB112

Stainless steel pull handle



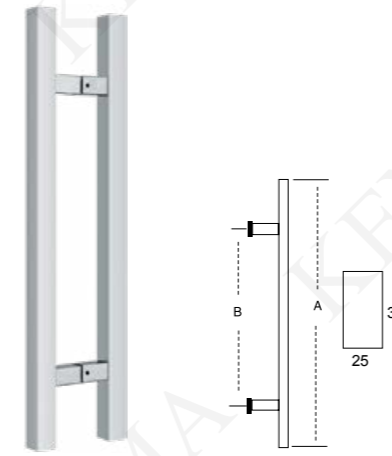
HB311

Woodlike Stainless steel pull handle



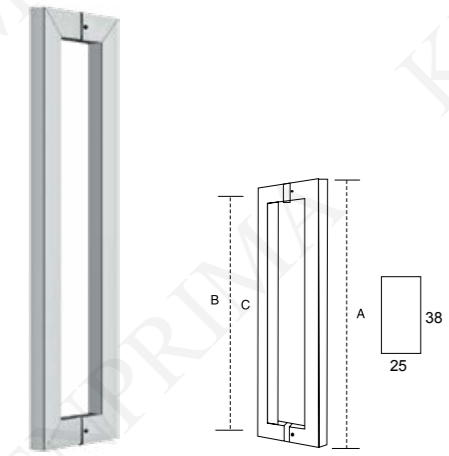
HB 111

Stainless steel pull handle



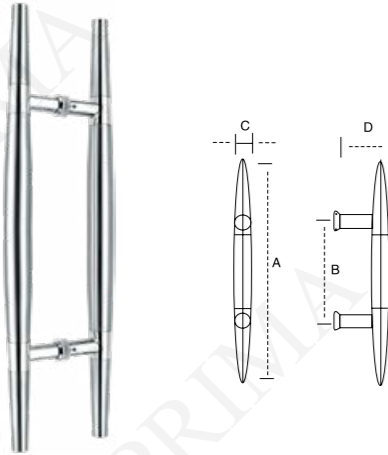
HB 113

Stainless steel pull handle



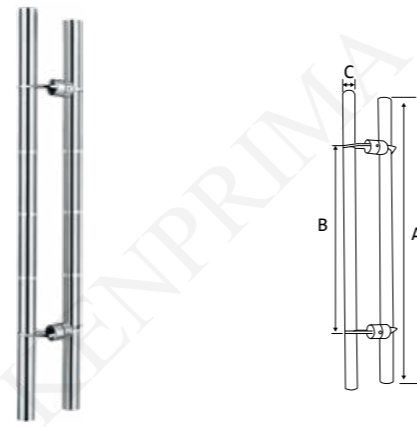
HB161

Stainless steel pull handle



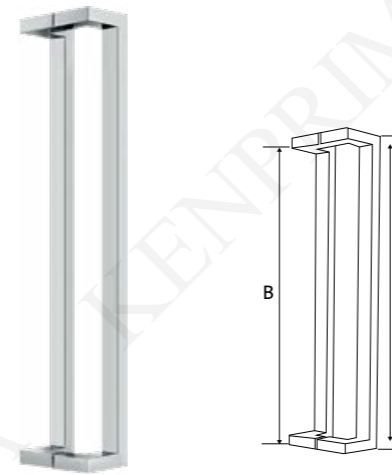
SSHB115

Stainless steel pull handle wt Elbow leg



SSHB713

Stainless steel pull handle



MODEL NO	SIZE	A	B	C	GLASS HOLE	MATERIAL	FINISH		PACKING	(RM)/UNIT
							POLISH	HAIRLINE		
SSHB112	38x275x600	600	275	38	Φ15	Stainless Steel	✓		20prs/ctn	RM 70.00
	38x400x600	600	400	38	Φ15	Stainless Steel	✓	✓	20prs/ctn	RM 70.00
	38x600x900	900	600	38	Φ15	Stainless Steel	✓		10prs/ctn	RM 97.50
	38x900x1200	1200	900	38	Φ15	Stainless Steel	✓	✓	10prs/ctn	RM 125.00
	38x1200x1500	1500	1200	38	Φ15	Stainless Steel	✓	✓	10prs/ctn	RM 175.00
	38x1500x1800	1800	1500	38	Φ15	Stainless Steel	✓		10prs/ctn	RM 205.00
	38x1800x2100	2100	1800	38	Φ15	Stainless Steel	✓		10prs/ctn	RM 300.00
SSHB311	38x400x600	600	400	38	Φ15	SUS 304/WOOD	✓	✓	CM	RM 520.00
	38x600x900	900	600	38	Φ15	SUS 304/WOOD	✓	✓	CM	RM 792.00
	38x900x1200	1200	900	38	Φ15	SUS 304/WOOD	✓	✓	CM	RM 1,056.00
	38x1200x1500	1500	1200	38	Φ15	SUS 304/WOOD	✓	✓	CM	RM 1,320.00
	38x1500x1800	1800	1500	38	Φ15	SUS 304/WOOD	✓	✓	CM	RM 1,584.00
SSHB161	38x275x600	600	275	38	Φ15	Stainless Steel	Center Hairline		20prs/ctn	RM 112.50
	38x600x1000	1000	600	38	Φ15	Stainless Steel	Center Hairline		10prs/ctn	RM 175.00
SSHB115	38x400x600	600	400	38	Φ15	Stainless Steel	✓	✓	10prs/ctn	RM 200.00
	38x600x900	900	600	38	Φ15	Stainless Steel	✓	✓	10prs/ctn	RM 280.00
	38x900x1200	1200	900	38	Φ15	Stainless Steel	✓	✓	10prs/ctn	RM 370.00

MODEL NO	TYPE	SIZE	A	B	C	GLASS HOLE	MATERIAL	FINISH		PACKING	(RM)/UNIT
								POLISH	HAIRLINE		
SSHB111	a-1	25x38x275x600	600	275	25x38	Φ15	Stainless Steel		✓	10prs/ctn	RM 315.00
	a	25x38x400x600	600	400	25x38	Φ15	Stainless Steel		✓	10prs/ctn	RM 315.00
	b	25x38x600x900	900	600	25x38	Φ15	Stainless Steel		✓	10prs/ctn	RM 375.00
	c	25x38x900x1200	1200	900	25x38	Φ15	Stainless Steel		✓	10prs/ctn	RM 485.00
	d	25x38x1200x1500	1500	1200	25x38	Φ15	Stainless Steel		✓	10prs/ctn	RM 580.00
SSHB113	e	25x38x1500x1800	1800	1500	25x38	Φ15	Stainless Steel		✓	10prs/ctn	RM 635.00
	a	25x38x600x638	638	600	25x38	Φ15	Stainless Steel		✓	CM	RM 305.00
	b	25x38x900x938	938	900	25x38	Φ15	Stainless Steel		✓	CM	RM 355.00
	c	25x38x1200x1238	1238	1200	25x38	Φ15	Stainless Steel		✓	CM	RM 470.00
	d	25x38x1500x1538	1538	1500	25x38	Φ15	Stainless Steel		✓	CM	RM 570.00
SSHB713	e	25x38x1800x1838	1838	1800	25x38	Φ15	Stainless Steel		✓	CM	5M 625.00
	c	25x38x1200x1225	1225	1200	25x38	Φ15	Stainless Steel		✓	6prs/ctn	RM 490.00



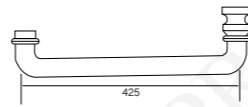
SS712SS Single Side Shower Handle With Knob

Material:Stainless Steel SUS 304

Finish:Mirror

Size:Dia:25mm c-c:425mm L:450mm

Code:SS712SS



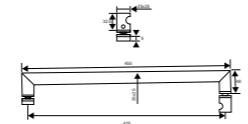
SSK425SS Hollow Single Side Handle With Knob

Material:Stainless Steel SUS 304

Finish:Mirror

Size:Dia:25x25mm c-c:425mm L:450mm

Code:SSK425SS



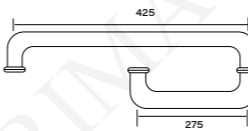
SS712S425 Shower Handle

Material:Stainless Steel SUS 304/SUS 202

Finish:Mirror

Size:Dia:25mm c-c:275/425mm L:300/450mm

Code:SS712425



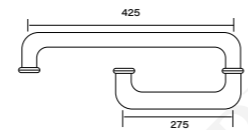
SS712S475 Shower Handle

Material:Stainless Steel SUS 304

Finish:Mirror

Size:Dia:25mm c-c:275/475mm L:300/500mm

Code:SS712475



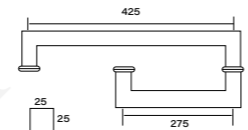
SS712S425 Hollow Shower Handle

Material:Stainless Steel SUS 304

Finish:Mirror

Size:Dia:25x25mm c-c:275/425mm L:300/450mm

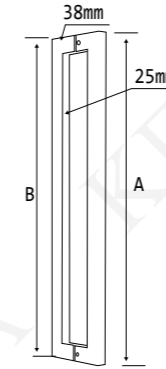
Code:SS712425



MODEL NO	SIZE	A	B	C	GLASS HOLE	MATERIAL	FINISH		PACKING	(RM)/UNIT
							POLISH	HAIRLINE		
SS712SS	25*425*450	450	425	25	φ15mm	Stainless Steel	√		40 prs/ctn	RM 65.00
SSK425SS	25*25*425*450	450	425	25*25	φ15mm	Stainless Steel	√		40 prs/ctn	RM 120.00
SS712425	25*275/300*425/450	300/450	275/425	25	φ15mm	SUS 304	√		40 prs/ctn	RM 65.00
SS712425-1	25*275/300*425/450	300/450	275/425	25	φ15mm	Stainless Steel	√		40 prs/ctn	RM 55.00
SS712475	25*275/300*475/500	300/500	275/475	25	φ15mm	SUS 304	√		40 prs/ctn	RM 75.00
SS712425-H	25*25*275/425*300/450	300/450	275/425	25*25	φ15mm	SUS 304	√		40 prs/ctn	RM 145.00

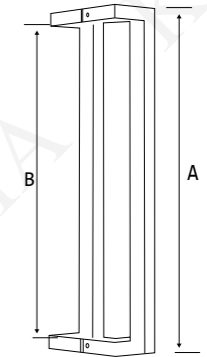
SSHB-116

C Shape Hollow Handle
Color:Mattblack



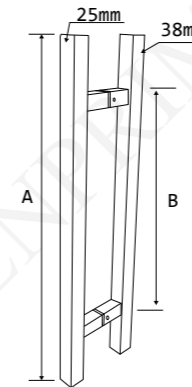
SSHB-716N

N Shape Hollow Handle
Color:Mattblack



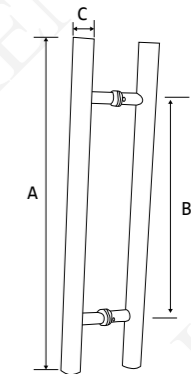
SSHB-121

H Shape Hollow Handle
Color:Mattblack



SSHB-122

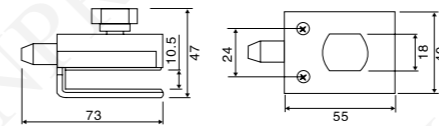
H Shape Round Handle
Color:Mattblack



MODEL NO	TYPE	SIZE	A	B	C	GLASS HOLE	MATERIAL	FINISH	PACKING	(RM)/UNIT
								MATTBLACK		
SSHB-116	a	25*38*600*638	638	600	25*38	φ15mm	Stainless Steel	√	20prs/ctn	RM 232.00
	b	25*38*900*938	938	900	25*38	φ15mm	Stainless Steel	√	10prs/ctn	RM 272.00
	c	25*38*1200*1238	1238	1200	25*38	φ15mm	Stainless Steel	√	10prs/ctn	RM 352.00
	d	25*38*1500*1538	1538	1500	25*38	φ15mm	Stainless Steel	√	10prs/ctn	RM 420.00
SSHB-716N	c	25*38*1200*1225	1225	1200	25*38	φ15mm	Stainless Steel	√	6prs/ctn	RM 392.00
SSHB-121	a	25*38*275*600	600	275	25*38	φ15mm	Stainless Steel	√	20prs/ctn	RM 232.00
	b	25*38*600*900	900	600	25*38	φ15mm	Stainless Steel	√	10prs/ctn	RM 272.00
	c	25*38*900*1200	1200	900	25*38	φ15mm	Stainless Steel	√	10prs/ctn	RM 352.00
	d	25*38*1200*1500	1500	1200	25*38	φ15mm	Stainless Steel	√	10prs/ctn	RM 420.00
SSHB-122	a	38*275*600	600	275	38	φ15mm	Stainless Steel	√	20prs/ctn	RM 140.00
	b	38*600*900	900	600	38	φ15mm	Stainless Steel	√	10prs/ctn	RM 192.00
	c	38*900*1200	1200	900	38	φ15mm	Stainless Steel	√	10prs/ctn	RM 220.00
	d	38*1200*1500	1500	1200	38	φ15mm	Stainless Steel	√	10prs/ctn	RM 250.00
	e	38*1500*1800	1800	1500	38	φ15mm	Stainless Steel	√	10prs/ctn	RM 288.00

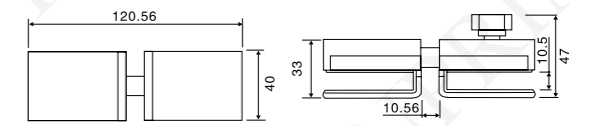
SHGL-01

Glass to Wall Shower Door Lock



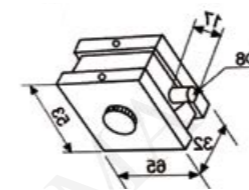
SHGL-02

Glass to Glass Shower Door Lock



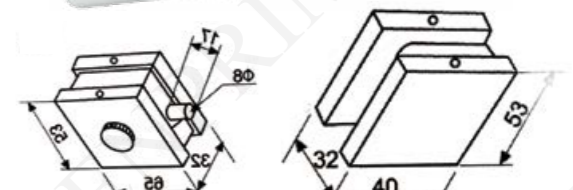
SHGL-110

Glass to Wall Shower Door Lock



SHGL-120

Glass to Glass Shower Door Lock

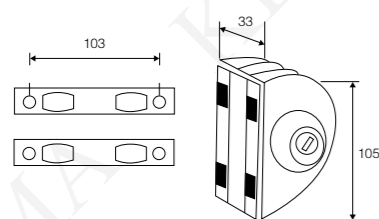


MODEL NO	DESCRIPTION	FINISHING	MATERIAL	PACKING	(RM)/UNIT
SHGL-01	GTW Shower door lock (w/o opening hole)	Mirror	Stainless Steel	20nos/ctn	RM 105.00
SHGL-02	GTG Shower door lock (w/o opening hole)	Mirror	Stainless Steel	20nos/ctn	RM 160.00
SHGL-110	GTW Shower door lock (opening hole)	Mirror	Stainless Steel	20nos/ctn	RM 100.00
SHGL-120	GTG Shower door lock (opening hole)	Mirror	Stainless Steel	20nos/ctn	RM 110.00

**FRAMELESS GLASS
DOOR LOCK
SERIES**

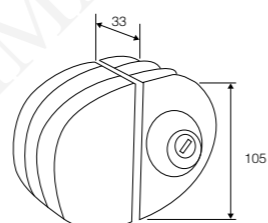
GL 665

Glass Door Lock (GTW)
Outside Key, Inside Thumbturn



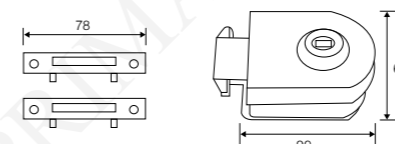
GL 666

Glass Door Lock (GTG)
Outside Key, Inside Thumbturn



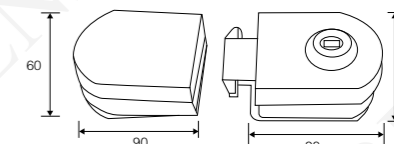
GL 777

Glass Door Lock (GTW)
Both Side Key



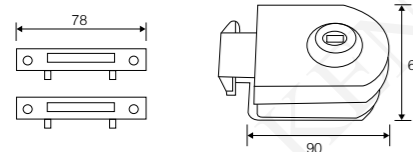
GL 778

Glass Door Lock (GTG)
Both Side Key



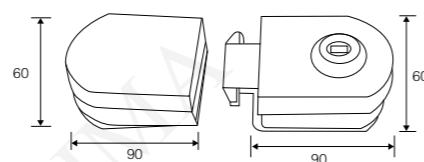
GL 775

Glass Door Lock (GTW)
Outside Key, Inside Thumbturn



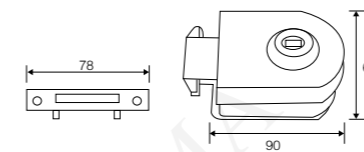
GL 776

Glass Door Lock (GTG)
Outside Key, Inside Thumbturn



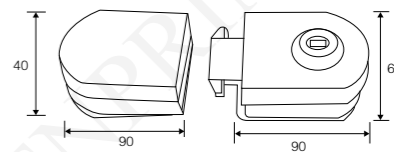
GL 781

Glass Door Lock (GTW)
1 Side Key Only



GL 782

Glass Door Lock (GTG)
1 Side Key Only

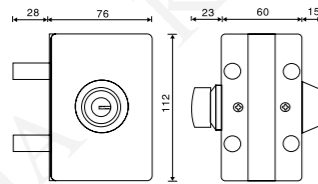


MODEL NO	DESCRIPTION	FUNCTION	FINISHING	MATERIAL	PACKING	(RM)/UNIT
LGL-665	GTW Glass door lock (w/o opening hole)	Thumbturn	Mirror	Stainless Steel	20nos/ctn	RM 165.00
LGL-666	GTG Glass door lock (w/o opening hole)	Thumbturn	Mirror	Stainless Steel	20nos/ctn	RM 202.50
LGL-775	GTW Glass door lock (w/o opening hole)	Thumbturn	Mirror	Stainless Steel	20nos/ctn	RM 225.00
LGL-776	GTG Glass door lock (w/o opening hole)	Thumbturn	Mirror	Stainless Steel	20nos/ctn	RM 250.00

MODEL NO	DESCRIPTION	FUNCTION	FINISHING	MATERIAL	PACKING	(RM)/UNIT
LGL-777	GTW Glass door lock (w/o opening hole)	2 Side key	Mirror	Stainless Steel	20nos/ctn	RM 225.00
LGL-778	GTG Glass door lock (w/o opening hole)	2 Side key	Mirror	Stainless Steel	20nos/ctn	RM 300.00
LGL-781	GTW Glass door lock (w/o opening hole)	1 Side key	Mirror	Stainless Steel	20nos/ctn	RM 190.00
LGL-782	GTG Glass door lock (w/o opening hole)	1 Side key	Mirror	Stainless Steel	20nos/ctn	RM 245.00

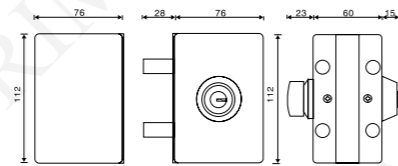
GL 511

Glass Door Lock (GTW)
Outside Key, Inside Thumbturn



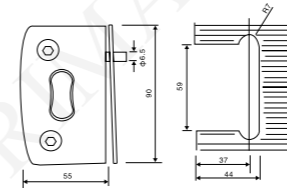
GL 512

Glass Door Lock (GTG)
Outside Key, Inside Thumbturn



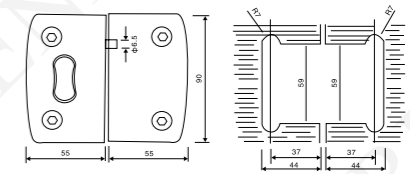
GL 10

Glass Door Lock (GTW)
Outside 5 Cents Coin Open, Inside
Thumbturn



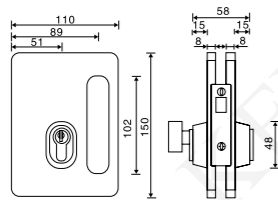
GL 11

Glass Door Lock (GTG)
Outside 5 Cents Coin Open, Inside
Thumbturn



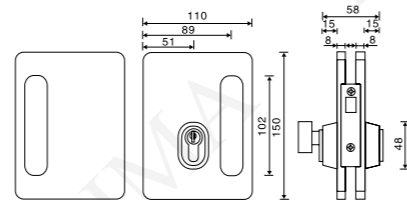
GL 515

Glass Door Lock (GTW)
Both Side Key



GL 516

Glass Door Lock (GTG)
Both Side Key



GL 52

Door Lock



GL 53

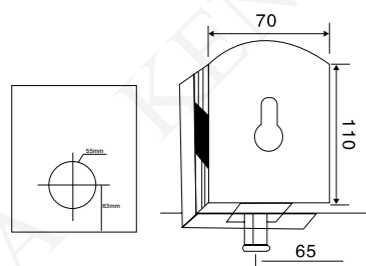
Keeper



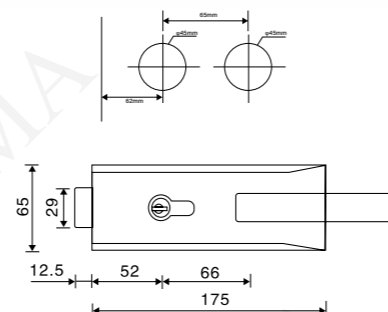
MODEL NO	DESCRIPTION	FUNCTION	FINISHING	MATERIAL	PACKING	(RM)/UNIT
LGL-511	GTW Glass door lock (w/o opening hole)	Thumbturn	Mirror	Stainless Steel	20nos/ctn	RM 275.00
LGL-512	GTG Glass door lock (w/o opening hole)	Thumbturn	Mirror	Stainless Steel	20nos/ctn	RM 440.00
LGL-515	GTW Glass door lock (opening hole)	2 Side key	Mirror	Stainless Steel	20nos/ctn	RM 475.00
LGL-516	GTG Glass door lock (opening hole)	2 Side key	Mirror	Stainless Steel	20nos/ctn	RM 700.00

MODEL NO	DESCRIPTION	FUNCTION	FINISHING	MATERIAL	PACKING	(RM)/UNIT
SHGL-10	GTW Glass door lock (opening hole)	Thumbturn	Mirror	Stainless Steel	20nos/ctn	RM 340.00
SHGL-11	GTG Glass door lock (opening hole)	Thumbturn	Mirror	Stainless Steel	20nos/ctn	RM 575.00
LGL-52	Glass door lock (opening hole)	2 Side key	Mirror	Stainless Steel	20nos/ctn	RM 260.00
LGL-53	Glass door keeper(opening hole)	-	Mirror	Stainless Steel	20nos/ctn	RM 140.00

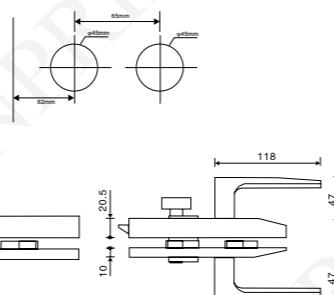
GL 100
Sliding Door Lock



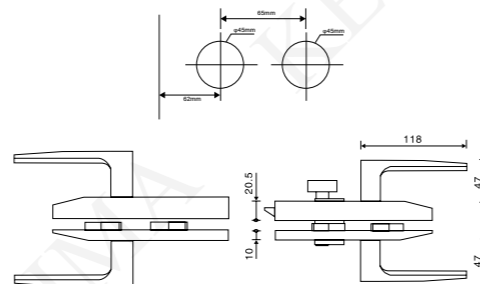
GL 123
GTG Swing Door Lock



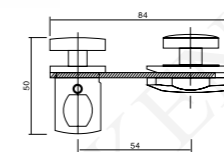
GL 124
GTG Swing Door Lock



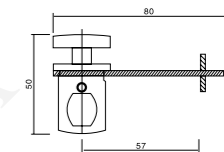
GL 125
GTG Swing Door Lock (with both side handle)



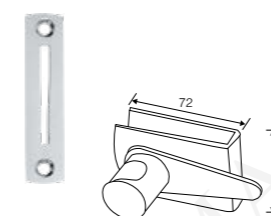
T 106(R/L)
GTG Shower Door Lock with opening hole



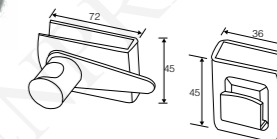
T 107(R/L)
GTW Shower Door Lock with opening hole



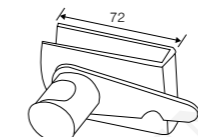
GL 016-S
GTW Shower Door Latch with opening hole



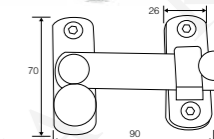
GL 016-D(R/L)
GTG Shower Door Latch without opening hole



GL 017-S(R/L)
GTW Shower Door Latch with hook without opening hole



GL 152
Swing & Slid Bolt



MODEL NO	DESCRIPTION	FUNCTION	FINISHING	MATERIAL	PACKING	(RM)/UNIT
LGL-100	Sliding Door Lock (opening hole)	2 Side key	Mirror	Stainless Steel Cover	20nos/ctn	RM 230.00
LGL-123	Sliding Door Lock(opening hole)single door	Thumbtum	Mirror	Stainless Steel Cover	20nos/ctn	RM 325.00
LGL-124	Sliding Door Lock(opening hole)double door	Thumbtum	Mirror	Stainless Steel Cover	20nos/ctn	RM 425.00
LGL-125	Sliding Door Lock(opening hole)double door	Thumbtum	Mirror	Stainless Steel Cover	20nos/ctn	RM 487.00

MODEL NO	DESCRIPTION	GLASS THICKNESS	FUNCTION	FINISHING	MATERIAL	PACKING	(RM)/UNIT
SHGL106-R	GTG Shower Door Lock «opening bole»	10mm	RH	MIRROR	S/S	50NOS/CTN	RM 117.50
SHGL106-L	GTG Shower Door Lock «opening bole»	10mm	LH	MIRROR	S/S	50NOS/CTN	RM 117.50
SHGL107-R	GTW Shower Door Lock «opening bole»	10mm	RH	MIRROR	S/S	50NOS/CTN	RM 102.50
SHGL107-L	GTW Shower Door Lock «opening bole»	10mm	LH	MIRROR	S/S	50NOS/CTN	RM 102.50
SHGL016-S	GTW Shower Door Lock «without opening bole»	10mm	RH/LH	MIRROR	S/S	50NOS/CTN	RM 113.00
SHGL016-D-R	GTG Shower Door Lock «without opening bole»	10mm	RH	MIRROR	S/S	50NOS/CTN	RM 130.50
SHGL016-D-L	GTG Shower Door Lock «without opening bole»	10mm	LH	MIRROR	S/S	50NOS/CTN	RM 130.50
SHGL017-S-R	GTW Shower Door Lock «without opening bole» hook	10mm	RH	MIRROR	S/S	50NOS/CTN	RM 113.00
SHGL017-S-L	GTW Shower Door Lock «without opening bole» hook	10mm	LH	MIRROR	S/S	50NOS/CTN	RM 130.00
SHGL152	Gl 152 Swing & Slide Bcle	10mm/12mm	swing door	MIRROR		50NOS/CTN	RM 18.00

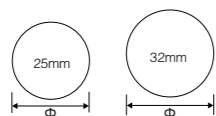
GSWS

Glass Spacer



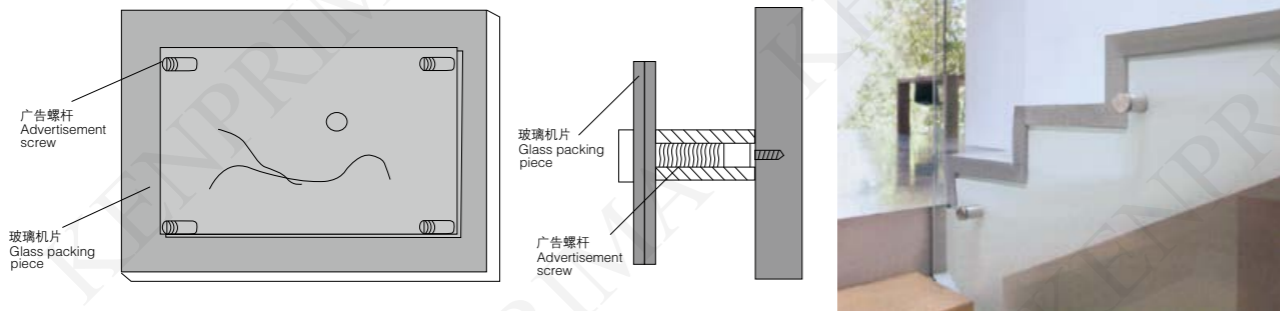
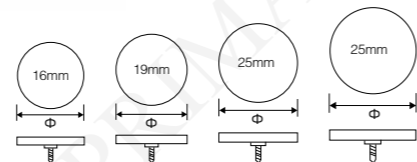
ZLQ-25

Glass Connector



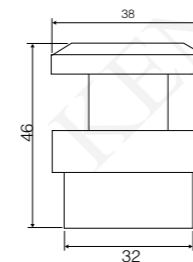
ZMS

Mirror Screw



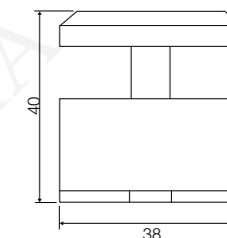
GS-02

Glass Wall Support (Solid)
Adjustable
Hole Opening: Dia 26mm



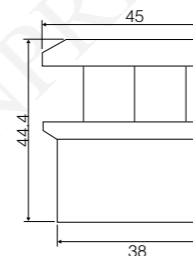
GS-03

Glass Wall Support (Solid)
Not Adjustable
Hole Opening: Dia 15mm



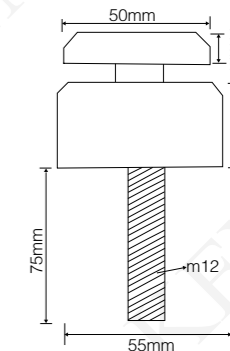
GS-04

Glass Wall Support (Solid)
Not Adjustable
Hole Opening: Dia 32mm



GS-05

Glass Wall Support (Solid)
Not Adjustable
Hole Opening: Dia 23mm



MODEL NO	SIZE	FINISHING	MATERIAL	PACKING	(RM)/UNIT
GSWS-	25mm(D) x 30mm(H)	Mirror/Hairline	Stainless Steel	100nos/ctn	RM 14.50
	25mm(D) x 50mm(H)	Mirror/Hairline	Stainless Steel	50nos/ctn	RM 17.25
	25mm(D) x 75mm(H)	Mirror/Hairline	Stainless Steel	50nos/ctn	RM 22.50
	25mm(D) x 100mm(H)	Mirror/Hairline	Stainless Steel	50nos/ctn	RM 31.25
	25mm(D) x 150mm(H)	Mirror/Hairline	Stainless Steel	50nos/ctn	RM 37.50
ZLQ-25	Dia:25mm	Hairline	Stainless Steel	200nos/ctn	RM 18.00
ZMS-	Dia:16mm	Hairline	Stainless Steel	200nos/ctn	RM 5.50
	Dia:19mm	Hairline	Stainless Steel	200nos/ctn	RM 8.50
	Dia:25mm	Hairline	Stainless Steel	200nos/ctn	RM 11.50
	Dia:30mm	Hairline	Stainless Steel	200nos/ctn	RM 15.50

MODEL NO	SIZE	FINISHING	MATERIAL	PACKING	(RM)/UNIT
GSG-02	38mm(D) x 46mm(H)	Hairline	Stainless Steel	100nos/ctn	RM 115.00
GSG-03	38mm(D) x 40mm(H)	Hairline	Stainless Steel	100nos/ctn	RM 105.00
GSG-04	45mm(D) x 44.4mm(H)	Hairline	Stainless Steel	100nos/ctn	RM 110.00
GSG-05	50mm(D) x 75mm(H)	Hairline	Stainless Steel	50nos/ctn	RM 225.00

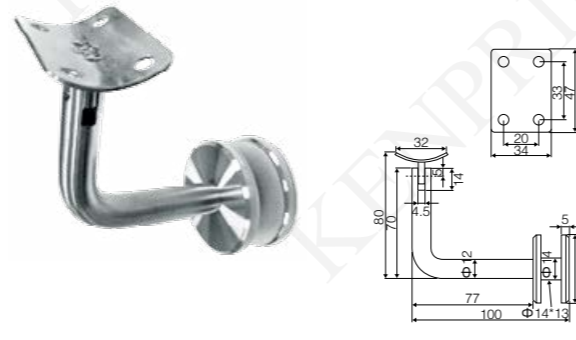
ZHR-1814

Glass to Flat Handrial



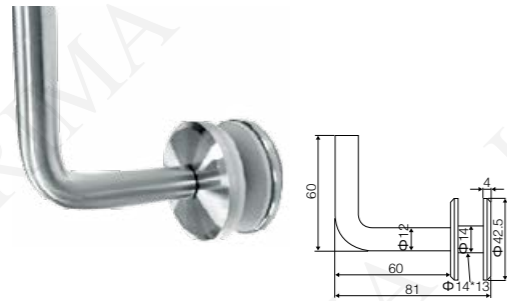
ZHR-1802

Glass to Curve Handrial



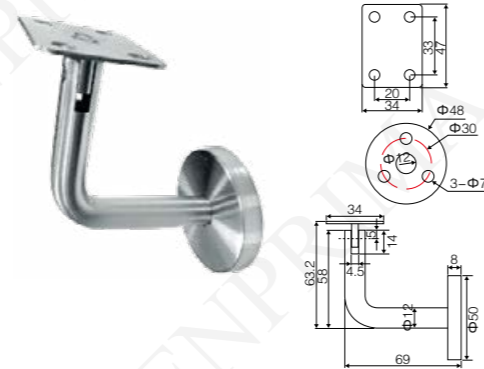
ZHR-1815

Glass to Handrial(No Head)



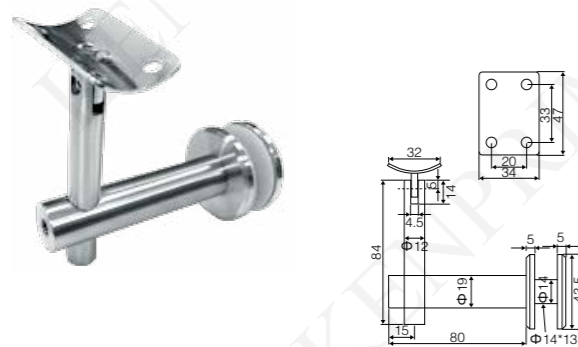
ZHR-1816

Wall to Flat Handrial



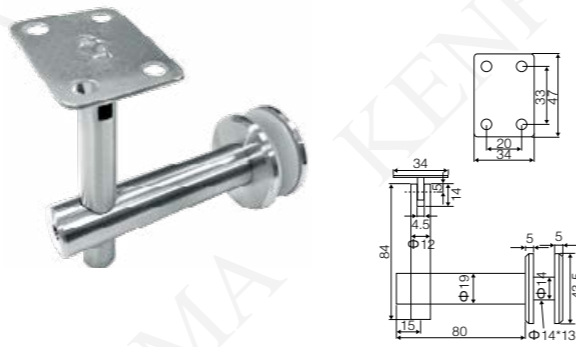
ZHR-1805

Glass to Curve Handrial



ZHR-1810

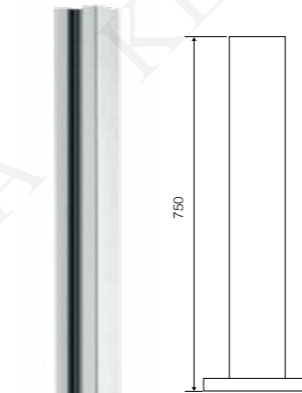
Glass to Flat Handrial(Adj)



MODEL NO	FUNCTION	FINISHING	MATERIAL	PACKING	(RM)/UNIT
ZHR-1814	Glass to flat handrial connector (Fixed)	Hairline	Stainless Steel	50nos/ctn	RM 30.00
ZHR-1802	Glass to curve handrial connector (Fixed)	Hairline	Stainless Steel	50nos/ctn	RM 30.00
ZHR-1815	Glass to handrial connector (No Head) (Fixed)	Hairline	Stainless Steel	50nos/ctn	RM 28.75
ZHR-1805	Glass to curve handrial connector (Adjustable)	Hairline	Stainless Steel	50nos/ctn	RM 45.00
ZHR-1816	Wall to flat handrial connector (Fixed)	Hairline	Stainless Steel	50nos/ctn	RM 30.00
ZHR-1810	Glass to flat handrial connector (Adjustable)	Hairline	Stainless Steel	50nos/ctn	RM 45.00

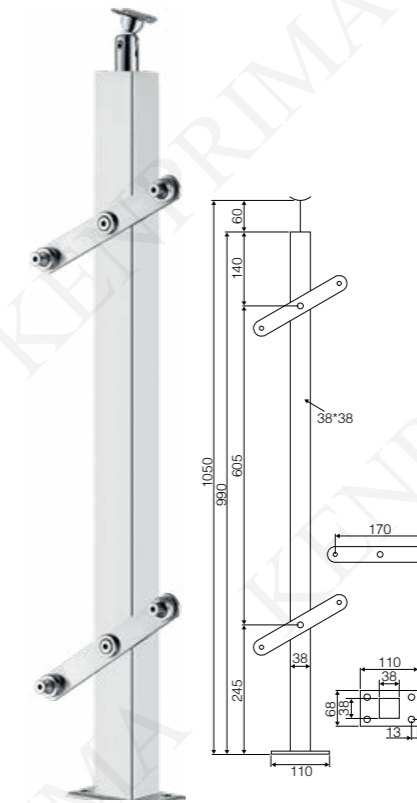
ZLQ-01

Handrial Stand



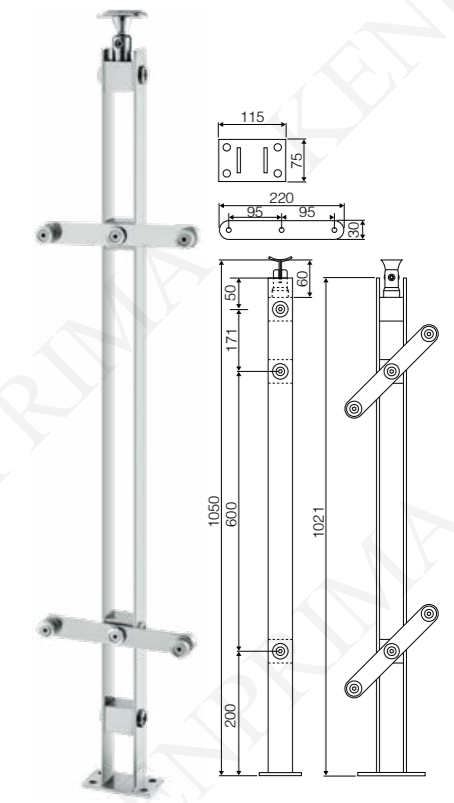
ZLQ-05

Handrial Stand



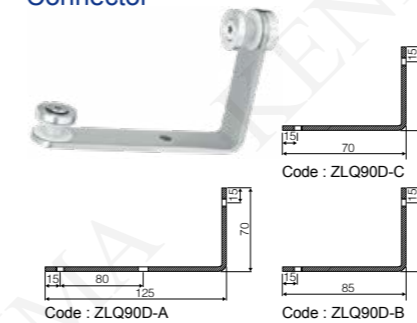
ZLQ-07

Handrial Stand



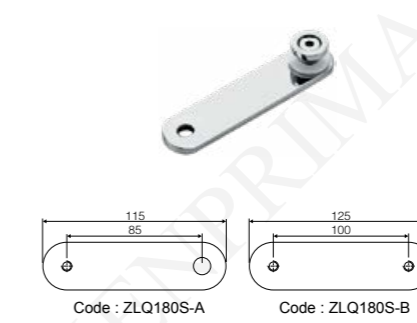
ZLQ-90D

90Deg L Shape Double Side Connector



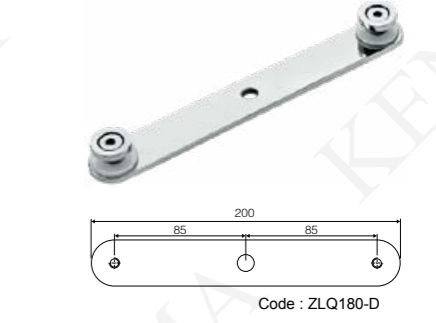
ZLQ-180-S

180Deg Single Side Connector



ZLQ-180-D

180Deg Double Side Connector



MODEL NO	FUNCTION	FINISHING	MATERIAL	PACKING	(RM)/UNIT
ZLQ-01-A	Handrial Stand Type-A (Center)	Hairline	Stainless Steel	6 nos/ctn	RM 288.00
ZLQ-01-B	Handrial Stand Type-B (Side)	Hairline	Stainless Steel	6 nos/ctn	RM 288.00
ZLQ-01-C	Handrial Stand Type-C (L Shape)	Hairline	Stainless Steel	6 nos/ctn	RM 288.00
ZLQ-05	Handrial Stand	Hairline	Stainless Steel	6 nos/ctn	RM 308.00
ZLQ-07	Handrial Stand (Solid)	Hairline	Stainless Steel	6 nos/ctn	RM 328.00
ZLQ90D-A	90Deg L Shape Double Side Connector (A)	Hairline	Stainless Steel	50nos/ctn	RM 24.75
ZLQ90D-B	90Deg L Shape Double Side Connector (B)	Hairline	Stainless Steel	50nos/ctn	RM 24.75
ZLQ90D-C	90Deg L Shape Double Side Connector (C)	Hairline	Stainless Steel	50nos/ctn	RM 24.75
ZLQ180S-A	180Deg Single Side Connector (A)	Hairline	Stainless Steel	50nos/ctn	RM 24.75
ZLQ180S-B	180Deg Single Side Connector (B)	Hairline	Stainless Steel	50nos/ctn	RM 24.75
ZLQ180D	180Deg Double Side Connector	Hairline	Stainless Steel	50nos/ctn	RM 24.75



BSR-151-R

Round Shape Spigot
Material:SUS 304

BSR-221-SQ

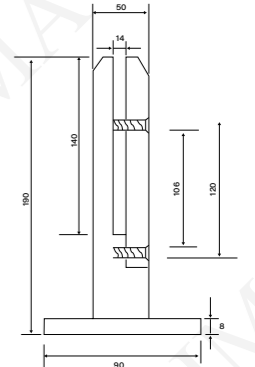
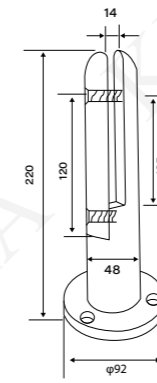
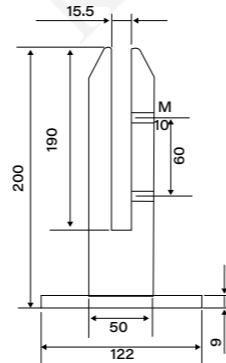
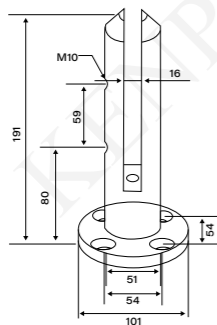
Round Shape Spigot
Material:SUS 304

BSR-150-R

Round Shape Spigot
Material:SUS 304

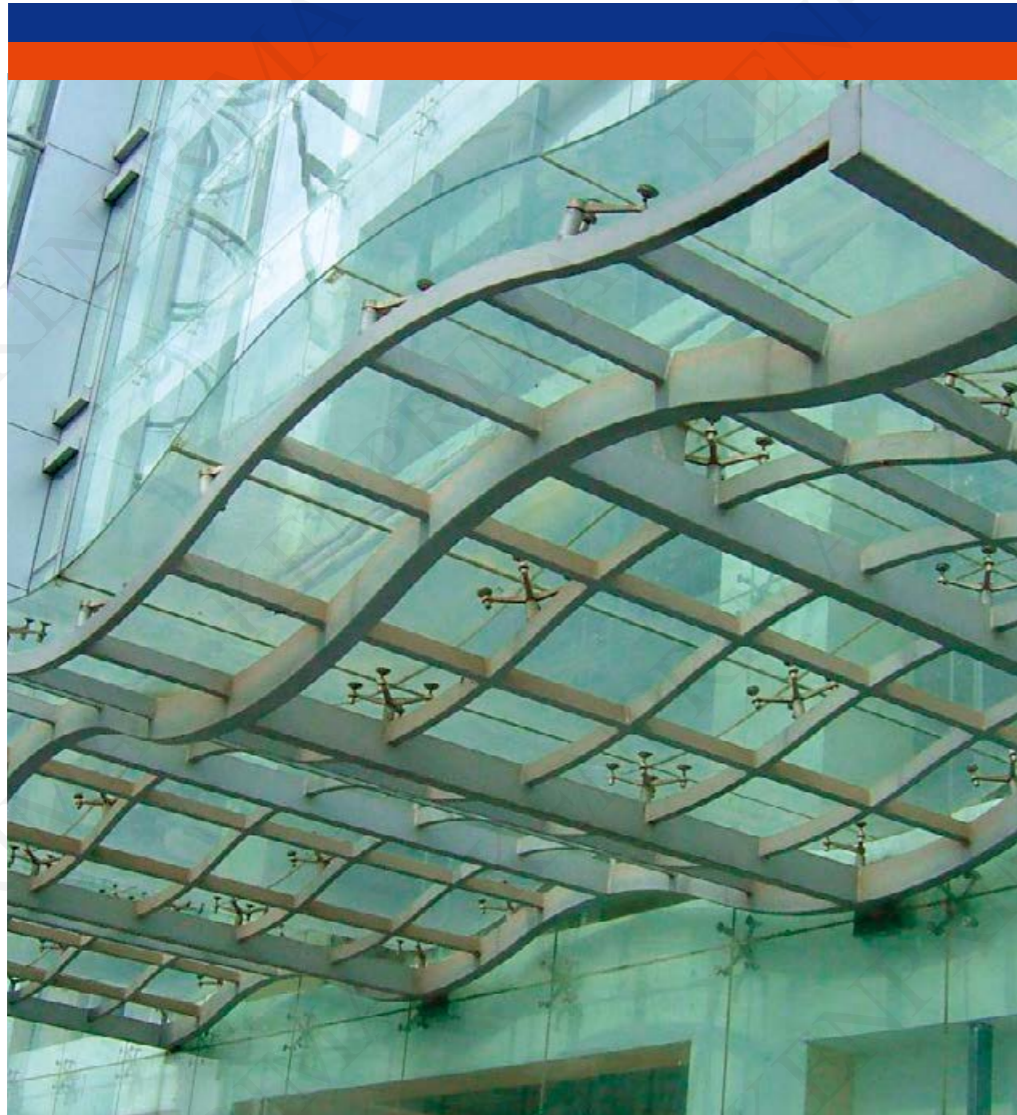
BSR-220-SQ

Round Shape Spigot
Material:SUS 304

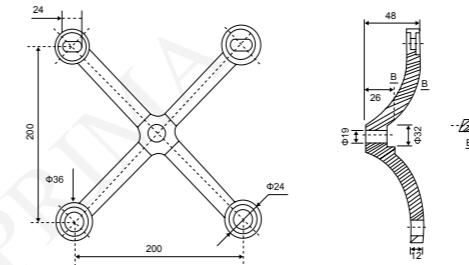


MODEL NO	FUNCTION	FINISHING	PACKING	(RM)/UNIT
BSR-151-R	BSR 151 SPIGOT(w/o Opening hole)	PSS	8 NOS/ CTN	RM 300.00
BSR-221-SQ	BSR 221 SPIGOT(w/o Opening hole)	PSS	8 NOS/ CTN	RM 350.00

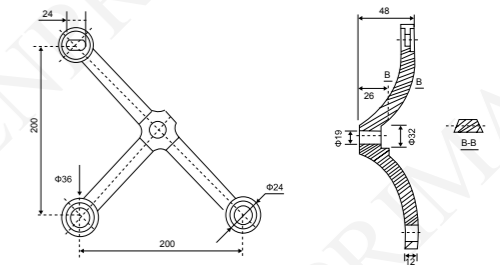
MODEL NO	FUNCTION	FINISHING	PACKING	(RM)/UNIT
BSR-150-R	BSR 150 SPIGOT(Opening hole dia:15mm)	PSS	8 NOS/ CTN	RM 397.50
BSR-220-SQ	BSR 220 SPIGOT(Opening hole dia:15mm)	PSS	8 NOS/ CTN	RM 450.00



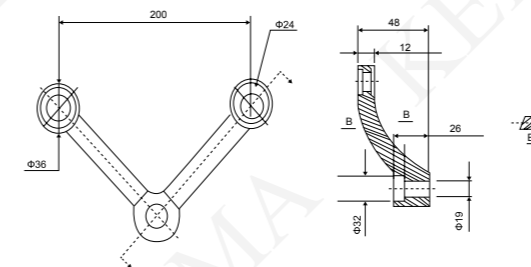
GS2004
4 Leg Spider



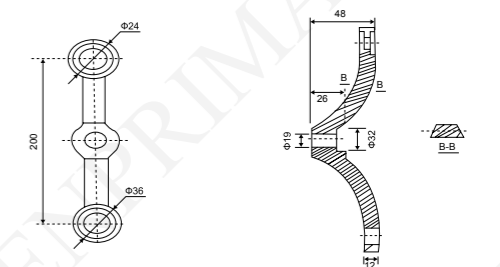
GS2003
3 Leg Spider



GS2002A(90 DEG)
2 Leg Spider "V"



GS2002(180 DEG)
2 Leg Spider



PRIMA SPIDER SERIES

The recommended value for the loading of the spider

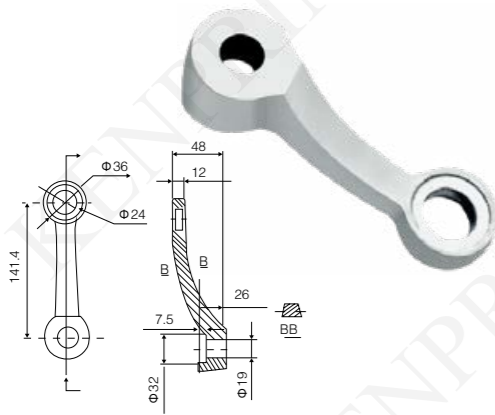
SPIDER SIZE Center to Center	Allowable axial load for single arm of spider (N)	Allowable radial load for single arm of spider (N)
1. 150mm	1500	1000
2. 200mm	2000	1200
3. 210mm	3000	1500
4. 220mm	3800	2000
5. 250mm	3000	2000
6. 300mm	5000	2000
7. 220mm(FIN)	4500	2000
8. L250mm(FIN)	4000	2000

Note : We reduced the products code and style in order to make the order and installation easier.

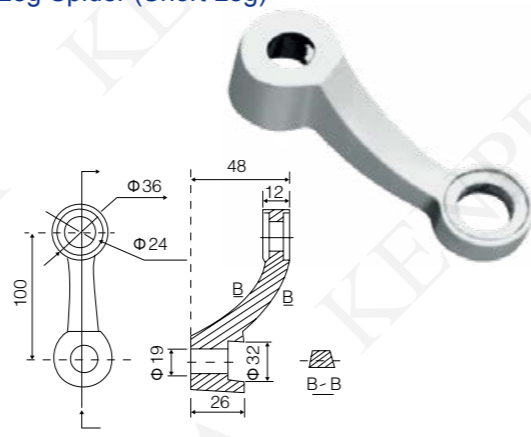


MODEL NO	DESCRIPTION	FINISHING	MATERIAL	PACKING	(RM)/UNIT
GS2004	4 Leg Spider	SUS 304	Hairline	8 nos/ctn	RM 413.75
GS2003	3 Leg Spider	SUS 304	Hairline	8 nos/ctn	RM 336.25
GS2002A	2 Leg Spider (90 Deg)	SUS 304	Hairline	12nos/ctn	RM 256.25
GS2002	2 Leg Spider (180 Deg)	SUS 304	Hairline	20nos/ctn	RM 238.75

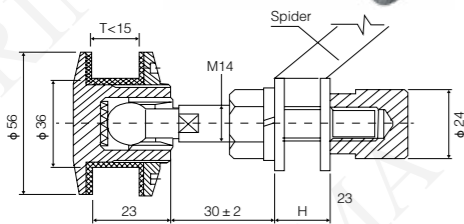
GS2001-L
1 Leg Spider (Long Leg)



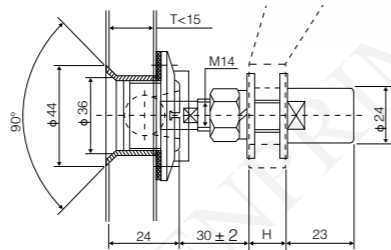
GS2001-S
1 Leg Spider (Short Leg)



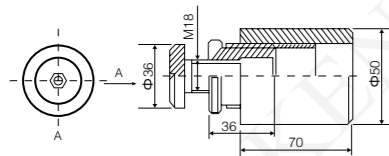
GSR1
Flat Routel



GSR2
Contersunk Routel



GSC
Spider Connector



M 18 SCREW
Screw

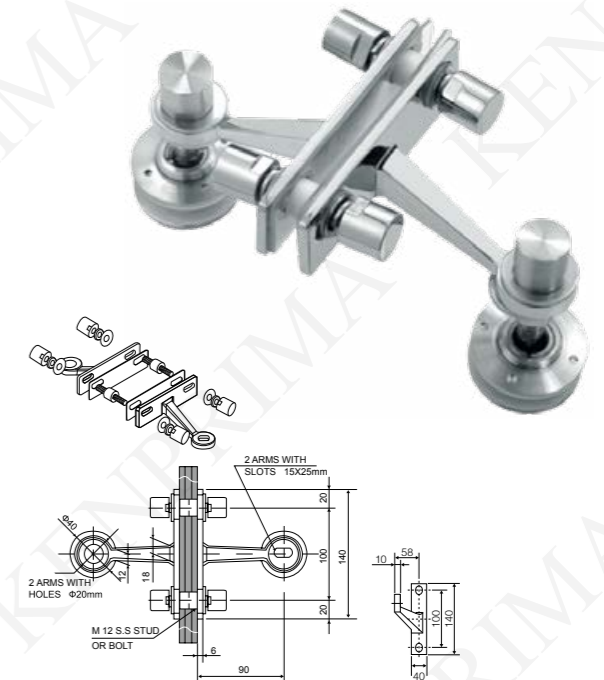


MODEL NO	FUNCTION	FINISHING	MATERIAL	PACKING	(RM)/UNIT
GS2001-L	1 Leg Spider (Long Leg)	SUS 304	Hairline	20nos/ctn	RM 175.00
GS2001-S	1 Leg Spider (Short Leg)	SUS 304	Hairline	20nos/ctn	RM 166.00
GSR1	Spider Routel (FLat)	SUS 304	Hairline	33nos/ctn	RM 46.25
GSR2	Spider Routel (Contersunk)	SUS 304	Hairline	33nos/ctn	RM 53.75
GSC	Spider Connector	Stainless/M Steel	Hairline	33nos/ctn	RM 46.25
GSS-18	Spider Screw M 18	SUS 304	Hairline	-	RM 25.00

GS 200K-1 A
Glass Fin Spider 1 Arm Single Sided



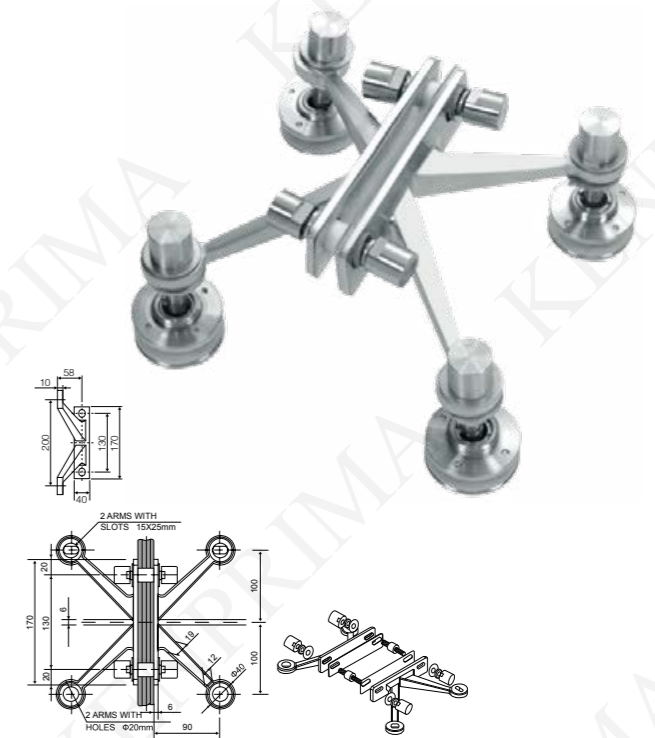
GS 200K-1 B
Glass Fin Spider 1 Arm Double Sided



GS 200K-2 A
Glass Fin Spider 2 Arm Single Sided



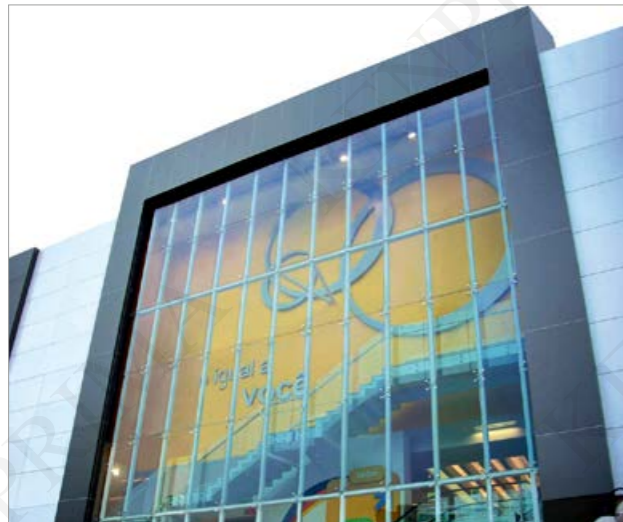
GS 200K-2 B
Glass Fin Spider 2 Arm Double Sided



MODEL NO	FUNCTION	FINISHING	MATERIAL	PACKING	(RM)/UNIT
GS200K-1A	Glass Fin Spider 1 Arm Single Side	SUS 304	Hairline	8 nos/ctn	RM 268.75
GS200K-1B	Glass Fin Spider 1 Arm Double Side	SUS 304	Hairline	8 nos/ctn	RM 377.50
GS200K-2A	Glass Fin Spider 2 Arm Single Side	SUS 304	Hairline	8 nos/ctn	RM 392.50
GS200K-2B	Glass Fin Spider 2 Arm Double Side	SUS 304	Hairline	8 nos/ctn	RM 635.00



ROUTE L	ALLOWABLE AXIAL LOAD FOR SINGLE ROUTEL(N)	ALLOWABLE AXIAL LOAD FOR SINGLE ROUTEL(N)
GSR1	4500	2000
GSR2	4500	2000



- 1) The spherical hinged route: It can reduce the stress concentration of the glass holes caused by the glass deformation.
 - 2) Heat insulation route: Adopting the bridge cut off theory to the design. It can reduce the heat loss of the interior and the surface sweating of route
 - 3) Outside installation route: It mainly used to the condition when there is not enough room for installation or it is not convenient to install from the interior, but easy to install from the outside
 - 4) The dust-proof route: The dust-proof cover can prevent the dust from entering the rotating part of the route to avoid affecting its normal function
 - 5) The route applies to the hollow glass (laminated glass): The advantage of this route.
 - **Avoiding the possibility of water seepage of the route.
 - **The surface of the glass curtain wall will be more beautiful.
 - 6) The route with the adjustable off center. To adjust the off center magnitude of the route through turning the aluminium washer and the base
- The permitted load for connector which is used for point supporting glass screen wall

DETAIL COMPOSITION OF 316 STAINLESS STEEL

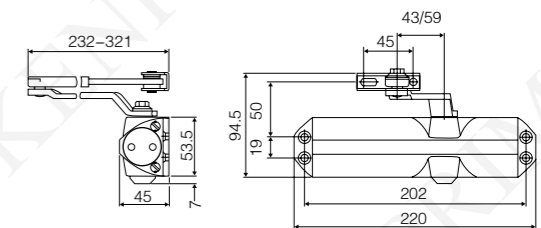
NI	CR	FE	AI	C	Mn	Si	P	S
8.1	18.08	72	0.0047	0.058	0.9	0.43	0.028	0.007

Dorma Door Closer TS-68



TS-68

Selectable Closing Force	: EN2/EN3/EN4
Max. Door Width	: 1100mm
Closing & Latching Speed	: Adjustable by valve
Hold-open Arm	: Optional



The ideal low-cost solution for standard doors

With the DORMA TS 68 Dorma has developed a low-cost door closer which can be universally used on all common door types. It is particularly quick and easy to install and does not require a mounting backplate.

The closer arm's power shoe and changes in templating allow easy selection of the closing force to suit various door sizes.



Plus points

- For the trade
- The low cost solution for standard doors
 - Just one model for all mounting positions

- For the specifier/architect
- Compact design.
 - Inexpensive, proven reliability

- For the installer
- Non-handed unit
 - Quick and easy to install
 - Fixes perfectly to all door types without the need for a mounting backplate

- For the user
- Closing cycle largely unaffected by temperature changes.
 - Two valves for optimum closing speed and reliable latching action.

Data and features		TS 68
Selectable closing force ((variable via arm power shoe and templating))	Size	En 2/3/4
Door width	≤1100mm	•
External doors, outward opening		-
Non-handed		•
Arm types	Limline Slide channel	• -
Closing speed adjustable via 2 independent valves	-15° 15°-0	•
Backcheck		•
Delayed action		-
Hold-open		#
Weight in kg		1.4
Dimensions in mm	Length Overall depth Height	220 45 53.5
•Yes -No #Option		

MODEL NO	DESCRIPTION	MAX DOOR WEIGHT	FINIS HING	PACKING	(RM)/UNIT
DCD-68	DORMA Door Closer-TS 68	≤1100mm	NA	10nos/ctn	RM 374.00
DCD-68-H	DORMA Door Closer-TS 68 with Hold Open	≤1100mm	NA	10nos/ctn	RM 695.00

DORMA DOOR CLOSER TS 77

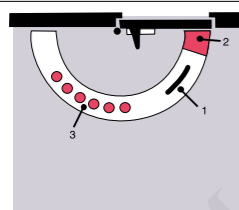


The economical solution for standard doors. Non-handed, suitable for standard, parallel arm and frame installation.

Fully controlled closing cycle, Surface finish for optimum corrosion protection.

Data and features		
Close force	Size	3
Standard door	950mm	•
External doors, opening outwards		-
Non-handed		•
Arm assembly types	Standard	•
	Dilde channel	-
Closing force variable at adjustable screw		-
Closing speed variable by valve adjustment		•
Backcheck		-
Delayed-open		-
Hold-open		o
Weight in kg		1.3
Dimensions in mm	Length	180
	Overall depth	65
	Height	44
Yes -No #Option		

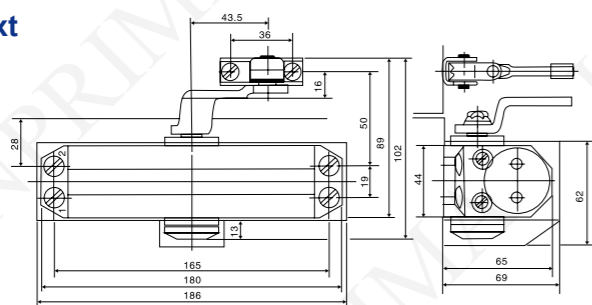
1)for applications involving particularly heavy doors and doors which have to close against wind resistance, we recommend the DORMA TS 83.



Standard and optional functions Example:left-hand(ISO 6)door,pull side fixing

- 1.Fully controlled closing with speed adjustable between 180° or 120° and 20°
- 2.Adjustable latching action adjustable between 20° and 0°
- 3.Hold-open range if equipped with hold-open arm (optional extra)

Specification text

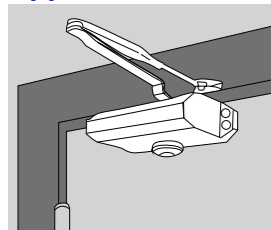


Rack-and-pinion door closer With hydraulically controlled closing cycle and non-handed.

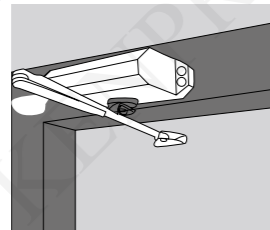
Model:
 Size 3
 With hold- open arm

Accessories:
Closer Colour:
 silver
Make:DORMA TS 77

Application and fixing

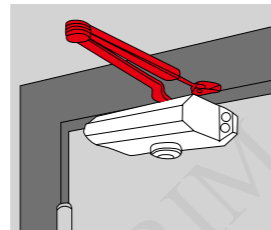


...on the pull side
Door leaf fixing(standard)

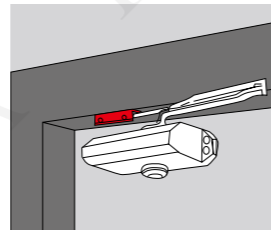


...on the push side
Transom fixing
(overhead installation)

Accessories



...with hold-open arm
assembly
for temporary door hold-
open(optional extra)



...parallel arm
for parallel arm assembly(for
installation dimensions,see fixing
instructions)

MODEL NO	DESCRIPTION	MAX DOOR WEIGHT	FINIS HING	PACKING	(RM)/UNIT
DCD-77	DORMA Door Closer-TS 77	≤950mm	NA	12nos/ctn	RM 180.00
DCD-77-H	DORMA Door Closer-TS 77 with Hold Open	≤950mm	NA	12nos/ctn	RM 520.00

DORMA CONCEAL DOOR CLOSER ITS-96(EN2-4)



Uncompromising technical sophistication

The DORMA ITS 96 has ushered in a new era in door closer technology. The closer body and slide channel are so compact that they can be installed out of sight in doors and their frames. These devices offer the same high quality expected of DORMA door closers, as characterised by their ease of operation for the user, and wide range of functions. Thanks to the exceptionally

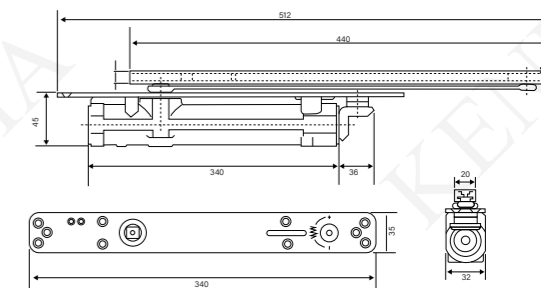


Quality-assured manufacture to ISO 9001, EN 29001, BS 5750. Certified and verified by BSI Quality Assurance Reg. No. Q 6423SFM 10756

Plus points

- ...for the trade
 - Low inventory costs and reduced stocking requirements thanks to streamlined modular system and separate packaging of closer body and slide channel assemblies.
 - Tailor-made applications with special accessories.
- ...for the specifier/architect
 - Unblemished appearance of prestige doors thanks to concealed installation.
 - Ideal for doors integral to the interior design.
- ...for the user
 - Optimum protection against vandalism thanks to the concealed installation.
 - Enhanced user convenience and fully controlled, reliable closing with adjustable latch action.
 - Cushioned limit stay with progressive damping for protection of wall and door.
- ...for the installer
 - Non-handed system.
 - Can be incorporated within the door pre-fabrication process, allowing complete installation in the factory
 - * Easy adjustment of the closing strength, closing speed and latch action after hanging of the doors.

slender dimensions of the unit, the DORMA ITS 96 can be installed in virtually all doors with thicknesses of 40 mm or more, and offers all the advantages of quality assured manufacture with third-party auditing.



Data and features	ITS 96	
	EN 2-4	EN 5-6
Variable closing force	Spring strength	
Smoke check doors	up to 1100 mm	•
	up to 1400 mm	•
External doors, outward opening		-
Fire and smoke check doors	up to 1100 mm	•
	up to 1400 mm	•
Door leaf thickness	equal to/greater than 40 mm	•
	equal to/greater than 50 mm	•
Max. door leaf weight in kg	100	180
Non-handed design (closer)		•
Arm	Slide channel	•
Closing force variable by means of adjustable screw		•
Closing speed adjustable by means of valve		•
Latching speed adjustable by means of valve		•
Cushioned limit stay, mechanical		•
Delayed action		-
Hold-open	#	#
Max. door opening angle (depends on door design)	approx. 120°	
Weight in kg	1.3	2.5
Dimensions in mm	Length	277
	Width	52
	Height	42
Door closer tested to EN 1154 A		•
Hold-open devices tested to EN 1155		•
Hold-open devices tested to EN 1158		•
Yes -No #Option		

Further information
Additional information about many of our products is available from a range of electronic media (internet, CD-ROM, diskettes). The abbreviated codes next to the computer symbol indicate the search terms.

All the measurement by millimeter(mm)

MODEL NO	DESCRIPTION	MAX DOOR WEIGHT	FINIS HING	PACKING	(RM)/UNIT
DCD TS96(2-4)	DORMA Conceal Door Closer ITS96(EN2-4)	≤1100mm	NA	6nos/ctn	RM 1,680.00
DCD TS96(2-4)-H	DORMA Conceal Door Closer ITS96(EN2-4)-Hold open	≤1100mm	NA	6nos/ctn	RM 1,920.00
DCD TS9(3-6)	DORMA Conceal Door Closer ITS96(EN3-6)	≤1400mm	NA	6nos/ctn	RM 3,200.00
DCD TS9(3-6)-H	DORMA Conceal Door Closer ITS96(EN3-6)-Hold open	≤1400mm	NA	6nos/ctn	RM 3,440.00

DORMA BTS 60

The basic floor spring designed for light traffic action door



With the BTS60, DORMA offers a floor spring that is designed for light use double action doors for basic requirement. It is used for the standard double action doors with the door width up to 1000mm and a maximum door weight of 80kg

Closing speed adjustment is optimized with two regulating valves. The compact and shallow design ensures an ideal application for limited floor depth.

Technical Data		BTS60
Spring strength	Size	3
Standard doors	≤1000mm	•
Max. door weight in kg		80
Closing speed variable by valve adjustment	130°-15° 15°-0°	•
Backcheck		•
Hold-open point 90°		○
Weight in kg, approx.		4, 4
Dimensions in mm	Length	274
	Width	97
	Height	40
• Yes - No Option		

1) For applications involving particularly high or heavy doors, and doors which have to close against wind or draught conditions, the next larger closer size or the DORMA BTS 80 should be selected.

2) Max. opening 130°. Door stop necessary for doors which can open further than 130°.

Benefits

For the trade

- Low cost solution for low traffic doors.
- Standard solution including accessories.

For the installer

- Easy installation thanks to shallow design.
- Easy to adapt to individual requirements with dual valve control 130° to 15° and 15° to 0°.

For the architect/specifier

- Easy solution for single leaf doors.
- Door weight up to 80kg and door width up to 1000mm.
- Minimum floor recess dimension.

For the user

- DORMA quality in the basic segment.
- Comfortable door operation with low effort.
- Optional mechanical hold-open at 90°.

Standard and optional functions

Closing ranges 1

The floor spring has two controlled closing ranges:
Valve 1: 130°-15°
Valve 2: 15°-0°.

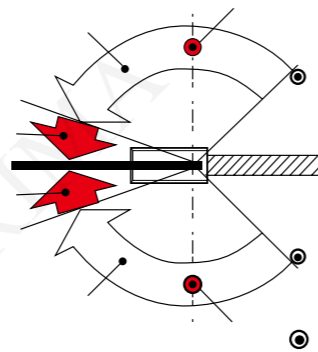
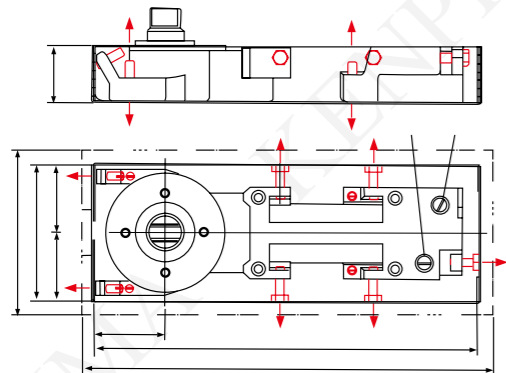
Infinitely variable closing speed in the range 130°-15°.

2 Second closing range 15°-0°.

Hold-open

With optional integrated single-point hold-open at 90°.

3 Hold open at 90° (optional extra).



MODEL NO	DESCRIPTION	MAX DOOR WEIGHT	FINISHING	PACKING	(RM)/UNIT
FHD60	DORMA BTS 60 Floor Hinge	≤1000mm	Mirror	4 nos/ctn	RM 740.00

DORMA BTS 84

The economic double action floor spring



Special shallow design optional hold-open.

The DORMA BTS 84 is a double action floor spring which has been specially developed for the aluminium and toughened glass door industries. This unit is intended to complement our internationally acclaimed RTS concealed overhead door closer by giving the shop fitting industry the option of a DORMA quality floor spring designed for their particular purpose.

The BTS 84 has many of the features of the other DORMA BTS closers with the addition of reduced depth and an array of accessories designed for the aluminium door fabricator and toughened glass door manufacturer.



Plus points

For the trade

- Outstanding value for money.
- Also available with stronger and weaker spring for special requirements.

For the architect/specifier

- Concealed unit for invisible installation.
- Minimum floor recess dimension.
- Proven, robust unit for door weights up to 100kg.

For the installer

- Easy installation thanks to shallow design.
- Easy to adapt to individual requirements with dual valve control 130° to 0° and 130° to 20°.
- Interchangeable spindle inserts available to suit site conditions.

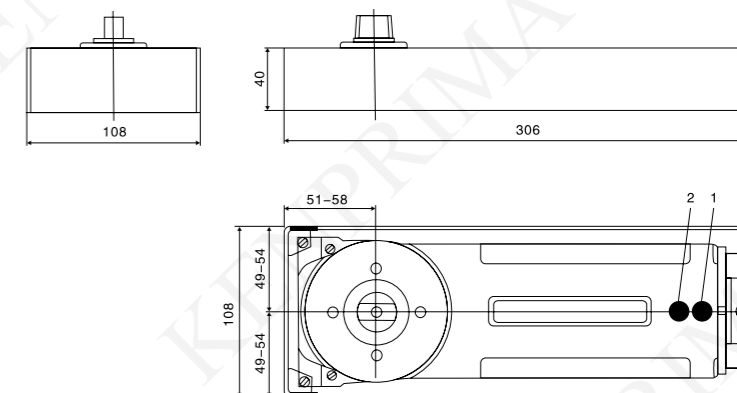
For the user

- Thermoconstant smooth operation.
- High mechanical efficiency for easy door opening.
- Optional single point hold-open

Technical Data	BTS 84		
	En2	En3	En4
Spring strength			
Standard and exterior doors	up to 850mm	•	•
	up to 950mm	•	•
	upto100mm	•	•
Closing speed variable by valve adjustment	•	•	•
Backcheck	-	-	-
Delayed action	-	-	-
Hold-open point or	90° 105°	○ ○	○ ○
Weight in kg, approx.	5.0	5.0	5.0
Dimensions in mm	306	306	306
	108	108	108
	40	40	40
Door closer tested to EN 1154	•	•	•
• Yes - No 0 Option			

1) For applications involving particularly high or heavy doors, and doors which have to close against wind or draught conditions, the next larger closer size or the DORMA BTS 80 should be selected.
2) Max. opening 130°. Door stop necessary for doors which can open further than 130°

1. Valve for closing speed adjustment 130°-0°
2. Valve for increasing closing speed 130°-20°



MODEL NO	DESCRIPTION	MAX DOOR WEIGHT	FINISHING	PACKING	(RM)/UNIT
FHD84 (3)	DORMA BTS 84 Floor Hinge (EN3)	≤950mm	Mirror	4 nos/ctn	RM 1,172.00
FHD84 (4)	DORMA BTS 84 Floor Hinge (EN4)	≤1100mm	Mirror	4 nos/ctn	RM 1,195.00

Universal application, individual functions and assured quality

whether standard, narrow or wide, whether LH, RH, or single or double action DORMA BTS 80 and BTS 75 V door springs are designed for all types of door. A comprehensive program of accessories ensures that they can be used successfully with a wide variety of door constructions and floor coverings.

Thanks to a wide range of functions, which can be individually selected to suit different requirements, DORMA BTS 80 and BTS 75 V floor springs offer maximum reliability and quality.

Certified to ISO 9001.

Benefits

For the trade

- Reduced stock requirements because of separate, interchangeable spindles.
- Slim product range offering all key functions.

For the architect/specifier

- Concealed installation for maximum visual elegance
- All essential functions provided
- Proven, robust design capable of withstanding leaf weights of up to 300 kg (BTS 80).

For the installer

- Suitable for installation with LH or RH single and double action doors.
- Interchangeable spindles enable easy adaptation to structural conditions even when retrofitted.

For the user

- Constant, temperature-independent closing cycle.
- Highly efficient mechanism gives maximum user convenience.

Data and features		BTS 60		BTS 75V	
Spring strength(EN)		3	4	6	1-4
Spring strength adjustment		-	-	-	•
Standard and external doors 1)	≤950mm	•	-	-	-
	≤1100mm	-	•	-	•
	≤1400mm	-	-	•	-
Fire and smoke check doors		-	-	-	•
Max.leaf weight(kg)		300		120	
Non-handed, suitable for single and double action doors		•		•	
Closing speed adjustable by valve	175°-0°	•		-	
	175°-15°	-		•	
	15°-0°	-		•	
Backcheck, mechanical		•		•	
Delayed action adjustable by valve (selectable alternative to the hold-open feature)		•		-	
Hold-open	Adjustable	•		-	
	Fixed 90	-		•	
	Fixed 105	-		•	
Coverplate secured to	Cement box	-		•	
	floor spring	•		•	
Weight in kg		7.1		3.0	
Dimensions in mm	Length	341		285	
	Width	78		82	
	Height	60		50	
Floor spring tested to EN 1154		•		•	
CE Mark for building products (products with factory-fitted hold-open do not carry a CE mark)		-		•	

• yes - no

• 1) For applications involving particularly high or heavy loads, and doors which have to close against wind or draught conditions, the next larger spring strength should be selected.

DORMA BTS 80

Floor Spring



Finish : SS

Spring Strength : EN4 / EN6

Max. Door Weight : 300Kgs

Max. Door Width : 1100 / 1400mm

with backcheck & delayed action function (adjustable)

DORMA BTS 75V

Floor Spring



Finish : SS

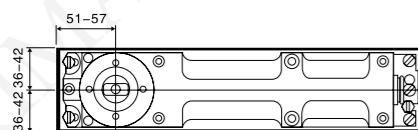
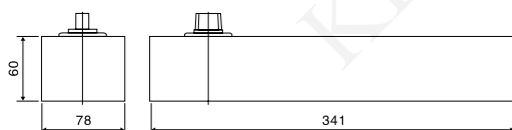
Spring Strength : EN1- EN4 (Adjustable)

Max. Door Weight : 120Kgs

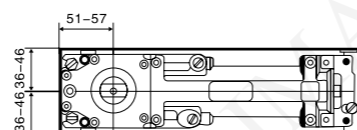
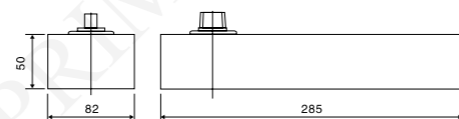
Max. Door Width : 1150

with backcheck function

BTS 80



BTS 75V



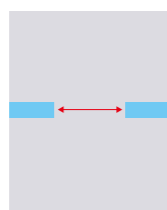
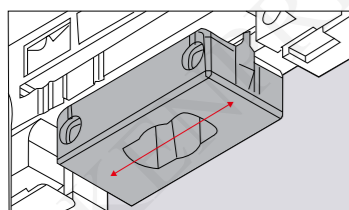
MODEL NO	DESCRIPTION	MAX DOOR WEIGHT	FINISHING	PACKING	(RM)/UNIT
FHD80 (4)	DORMA BTS 80 Floor Hinge (EN4)	≤1100mm	Mirror	4 nos/ctn	RM 5,600.00
FHD80 (6)	DORMA BTS 80 Floor Hinge (EN6)	≤1400mm	Mirror	4 nos/ctn	RM 5,600.00
FHD75	DORMA BTS 75 Floor Hinge (EN1-4)	≤1150mm	Mirror	4 nos/ctn	RM 2,080.00

MUNDUS		
Model	MUNDUS Premium	MUNDUS Comfort
Max load	200 kgs	150 kgs
Glass thickness	8-12mm 12-15mm 15-19mm 19-22mm	8-12mm
Max door width	1300 mm	1100mm
Pivot points	55,65, 70 mm	
Adjustable insert	Multi-dimensional	
Cover material	Stainless steel, aluminum	
Test cycles to EN12400	1,000,000	500,000
Test cycles to ANSI 156.1 & 156.4	2,500,000	1,000,000
Materials and finishes	White P 100 Semi Gloss Silver N 600 Satin Niro S 700 Satin *other finishes available upon request	
Corrosion class to EN1670	Class 4	



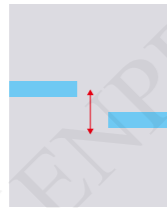
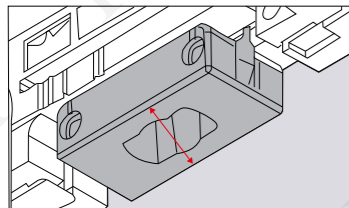
EASY TO INSTALL, EASY TO ADJUST

MUNDUS glass patch fittings for easy, smooth adjustability—even when mounted. With MUNDUS, the entire door can be adjusted with multi-dimensional variability, allowing the vertical gap dimensions to be infinitely adapted and ensuring perfect alignment of the pivot point and the zero position.



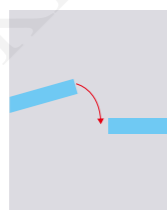
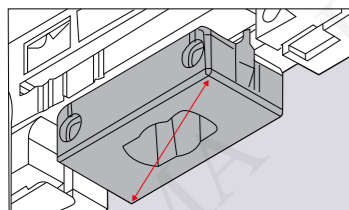
ALIGNMENT IN THE Z AXIS

Infinite variability of the door position to achieve flush alignment thanks to adjustment of up to 1 mm for a glass thickness of 8mm, or 4 mm for a glass thickness of 12mm.



ALIGNMENT IN THE X AXIS

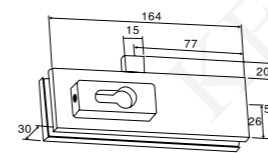
Individual adjustment of the pivot point, infinitely variable between 52 and 73 mm.



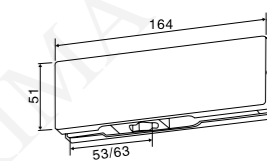
ZERO POSITION ADJUSTMENT

Infinite alignment variability of the door to achieve the correct zero position by adjustment around the axis of rotation in the range +/-1.5°.

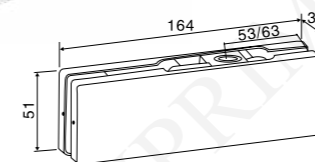
US 10 Corner lock



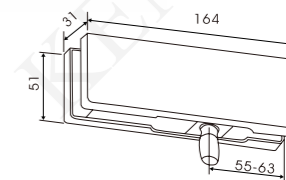
PT 10 Bottom patch



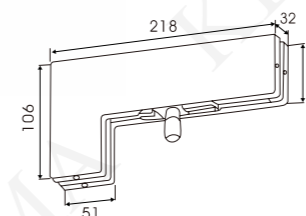
PT 20 Top patch



PT 30 Oval panel patch



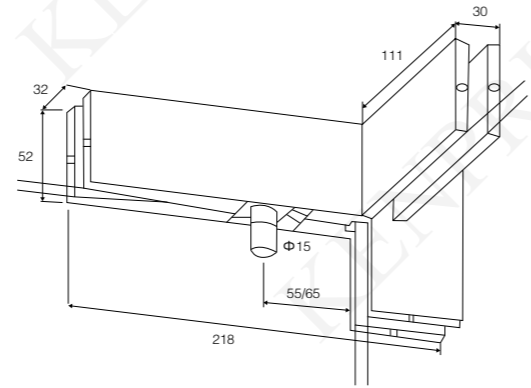
PT 40 Side panel patch



MODEL NO	DESCRIPTION	GLASS THICKNESS	FINISHING	PACKING	(RM)/UNIT
PFDD10	DORMA PT 10 Bottom Patch	10-12mm	Satin	10nos/ctn	RM 320.00
PFDD20	DORMA PT 20 Top Patch	10-12mm	Satin	10nos/ctn	RM 320.00
PFDD50	DORMA US 10 Lock Patch	10-12mm	Satin	10nos/ctn	RM 550.00
PFDD30	DORMA PT 30 Overpanel Patch	10-12mm	Satin	10nos/ctn	RM 352.00
PFDD40	DORMA PT 40 Overpanel Side Patch	10-12mm	Satin	10nos/ctn	RM 616.00

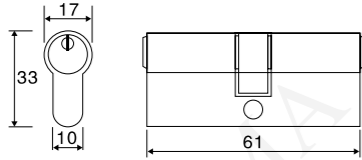
PFD 41

Dorma PT 41 Side Panel Patch with Fin



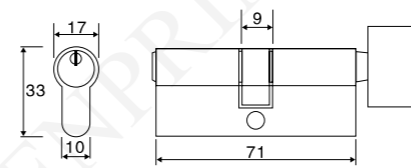
PC 91

Dorma PC 91 Double Turn Cylinder



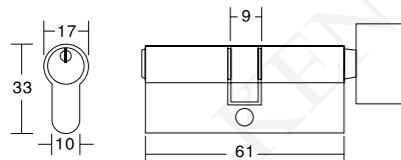
PC 82

Dorma PC 82 Double Turn Cylinder



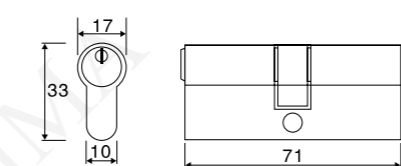
PC 93

Dorma PC 93 Thumbturn Cylinder



PC 83

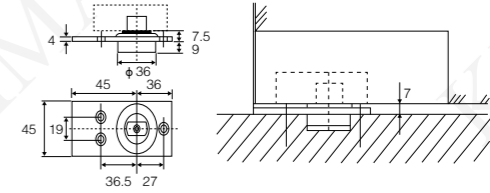
Dorma PC 83 Thumbturn Cylinder



MODEL NO	DESCRIPTION	GLASS THICKNESS	FINISHING	PACKING	(RM)/UNIT
PFD41	DORMA PT 41 Side Patch wt Fin	10-12mm	Satin	4 nos/ctn	RM 4,000.00
PC91	DORMA PC 91 Double Turn Cylinder (5 Pin)	L : 61mm	Satin	10nos/ctn	RM 190.00
PC82	DORMA PC 82 Double Turn Cylinder (6 Pin)	L : 71mm	Satin	10nos/ctn	RM 230.00
PC93	DORMA PC 93 Thumbturn Cylinder (5 Pin)	L : 61mm	Satin	10nos/ctn	RM 250.00
PC83	DORMA PC 82 Thumbturn Cylinder (6 Pin)	L : 71mm	Satin	10nos/ctn	RM 280.00

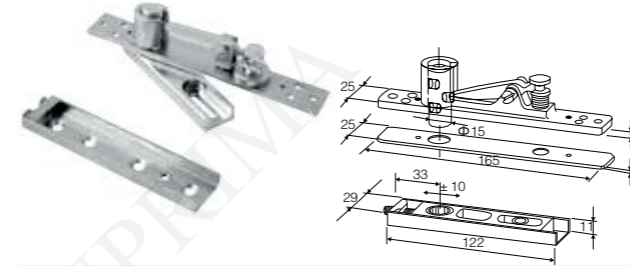
DFP 7475

Dorma 7475 AX Floor Pivot Bearing (300kg)



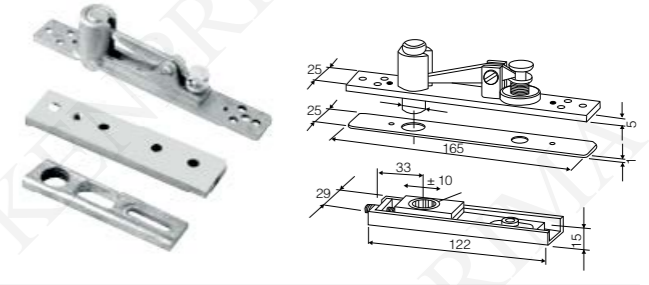
8062+8064 Top Centre

Dorma AL Accessories (120kgs)



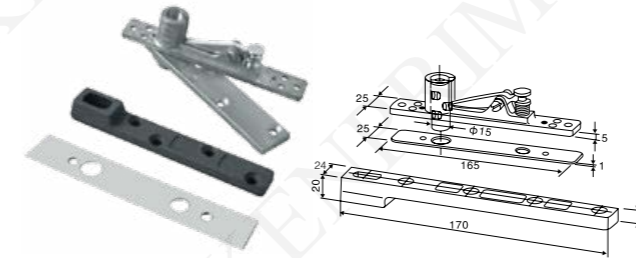
8066+8064 Top Centre

Dorma AL Accessories (300kgs)



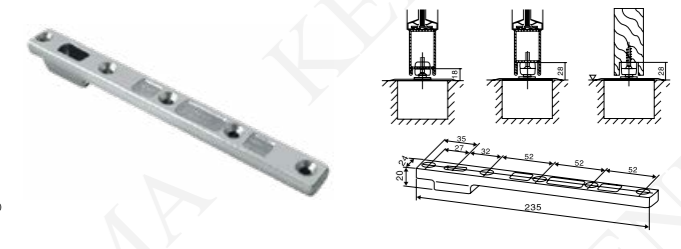
PFDAL

Dorma AL Accessories (100kgs)



7421 Bottom Strap

Dorma 7421 Bottom Strap (300kgs)

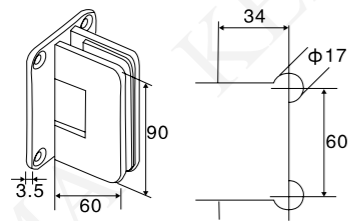


STANDARD EQUIPMENT AND ACCESSORIES														
BTS 80 floor spring	BTS 75 V floor spring	Extended spindles (extension in mm)												
		Standard	5	7,5	10	12,5	15	20	25	28	30	35	40	45
45200401	45200402	45200403	45200404	45200419	45200405	45200406	45200407	45200414	45200408	45200409	45200410	45200411	45200412	

MODEL NO	DESCRIPTION	GLASS THICKNESS	FINISHING	PACKING	(RM)/UNIT
DFP7475	DORMA 7475 AX Floor Pivot Bearing (300kgs)	300kgs	Satin	10nos/ctn	RM 720.00
8062+8064	DORMA 8062+8064 Top Centre (120kgs)	120kgs	Satin	10nos/ctn	RM 320.00
8066+8064	DORMA 8066+8064 Top Centre (300kgs)	300kgs	Satin	10nos/ctn	RM 1,160.00
PFDAL	DORMA AL Accessories (100kgs)	100kgs	Satin	10nos/ctn	RM 320.00
ZD7421	DORMA 7421 Bottom Strap (300kgs)	300kgs	Satin	10nos/ctn	RM 484.00
PFDEP-	DORMA Spindles 5/7.5/10/12.5/15/20/28/30/35/40/45/50		Satin	-	--

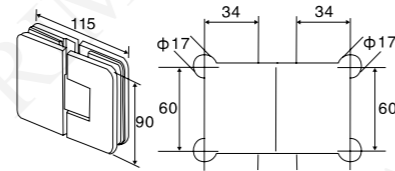
SHDS2-160

DORMA S2000-160 Shower Hinge (GTW)



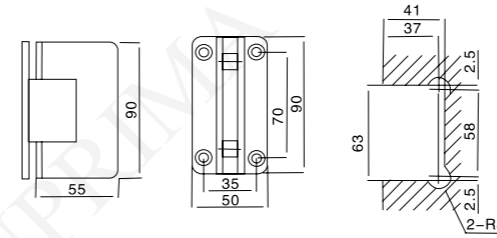
SHDS2-164

DORMA S2000-164 Shower Hinge (GTG)



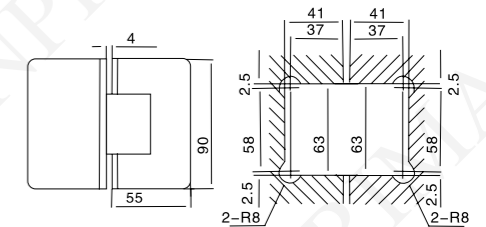
SHDS1-160

DORMA S1000-160 Shower Hinge 90Deg(GTW)



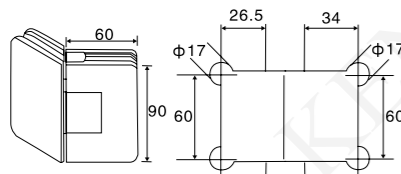
SHDS1-164

DORMA S1000-164 Shower Hinge 180Deg(GTG)



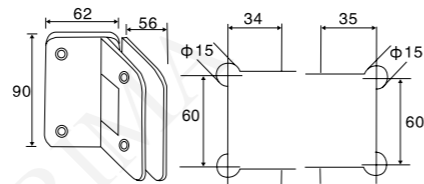
SHDS2-166

DORMA S2000-166 Shower Hinge 135Deg(GTG)



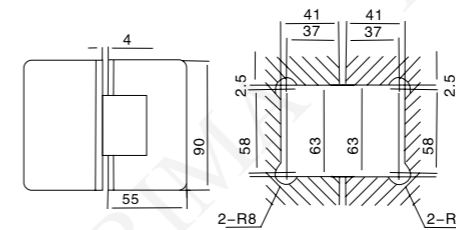
SHDS2-172

DORMA S2000-172 Shower Hinge 9090Deg(GTG)



SHDS1-166

DORMA S1000-166 Shower Hinge 135Deg(GTG)



MODEL NO	DESCRIPTION	GLASS THICKNESS	FINISHING	PACKING	(RM)/UNIT
SHDS2-160	DORMA S2000-160 Shower Hinge (GTW)	8mm/10mm	Satin	12 PCS/CTN	RM 640.00
SHDS2-164	DORMA S2000-164 Shower Hinge 180Deg(GTG)	8mm/10mm	Satin	12 PCS/CTN	RM 1,100.00
SHDS2-166	DORMA S2000-166 Shower Hinge 135Deg(GTG)	8mm/10mm	Satin	12 PCS/CTN	RM 1,100.00
SHDS2-172	DORMA S2000-172 Shower Hinge 9090Deg(GTG)	8mm/10mm	Satin	12 PCS/CTN	RM 1,300.00

MODEL NO	DESCRIPTION	GLASS THICKNESS	FINISHING	PACKING	(RM)/UNIT
SHDS1-160	DORMA S1000-160 Shower Hinge (GTW)	8mm/10mm	Satin	12 PCS/CTN	RM 270.00
SHDS1-164	DORMA S1000-164 Shower Hinge 180Deg(GTG)	8mm/10mm	Satin	12 PCS/CTN	RM 450.00
SHDS1-166	DORMA S1000-166 Shower Hinge 135Deg(GTG)	8mm/10mm	Satin	12 PCS/CTN	RM 450.00

SL 12
Glass Door



SL 12
Timber Door

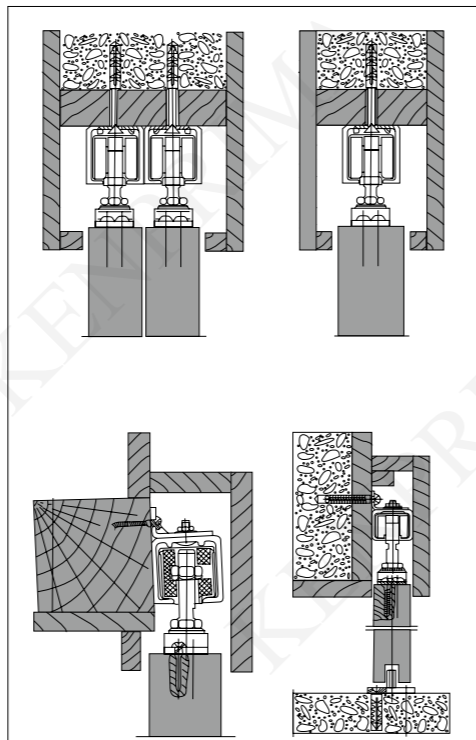
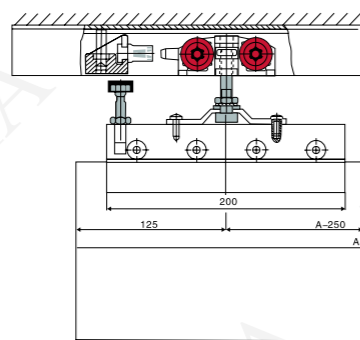
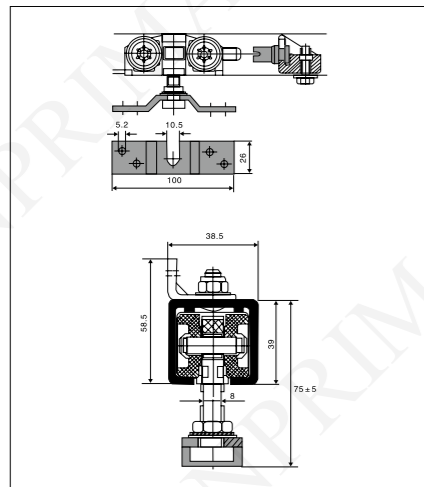
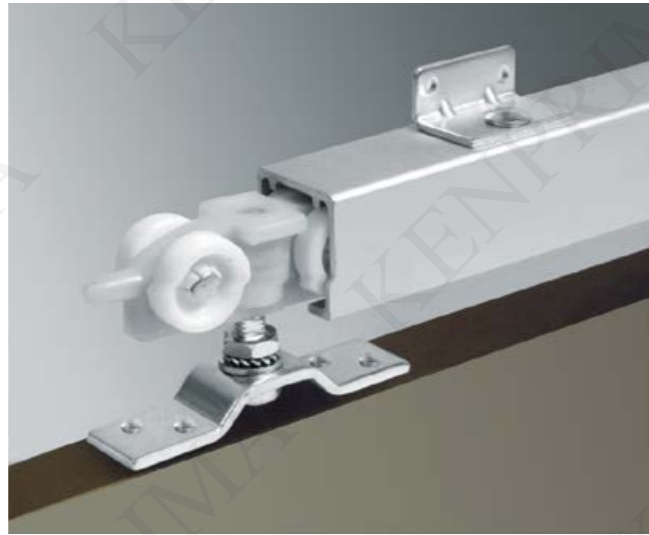
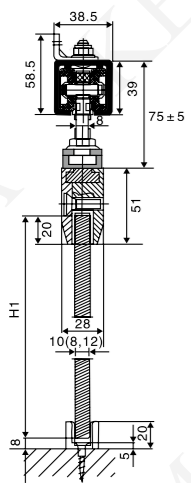
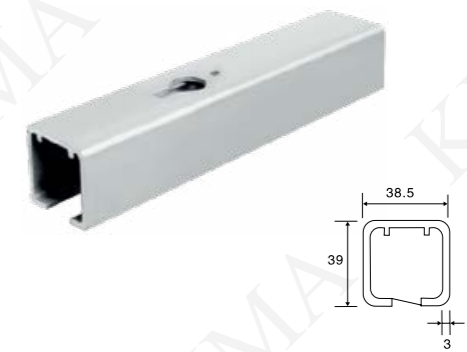


Illustration to show that the DORMA SL can be used even when fixing for the track is not square.



Size	1	2	3	4
Door Width mm	710 900	910 1200	1210 1800	1510 1800
Track Length mm	1600	2000	2400	3000
Angle bracket for wall fixing per piece	6	6	8	8
Article No.	SL 12.2	SL 12.3	SL 12.4	SL 12.5

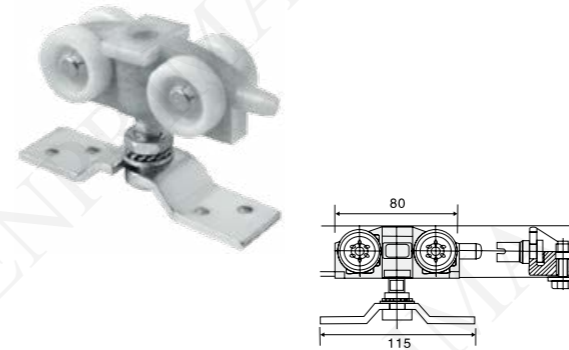
SL 12
Aluminium Track



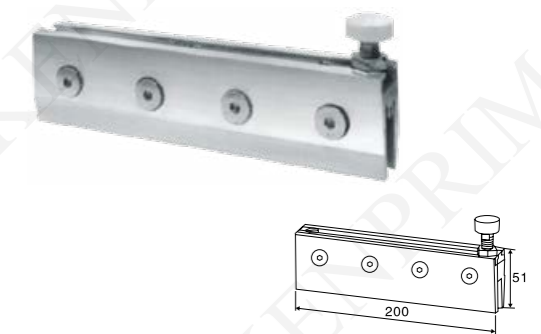
SL 12 SLIDING ROLLER SET

Carrying capacities up to 120kg
2 meter track door leaf widths up to 900mm
3 meter track door leaf widths up to 1200mm
(2m & 3m roller set without MT00012 Glass Clamp)

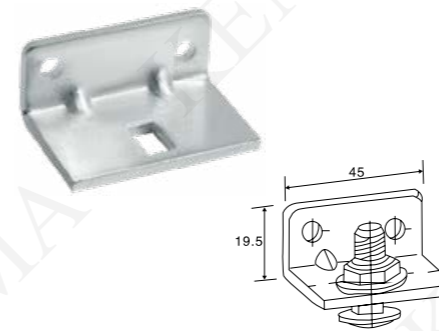
SL 12
Top Roller



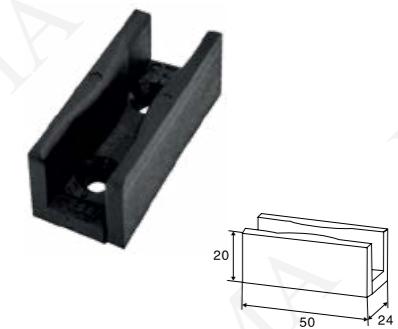
MT 00012
Glass Clamp



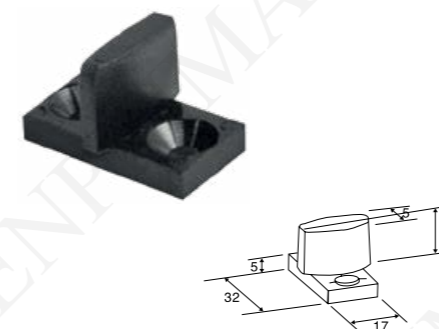
Side Fixing Bracket



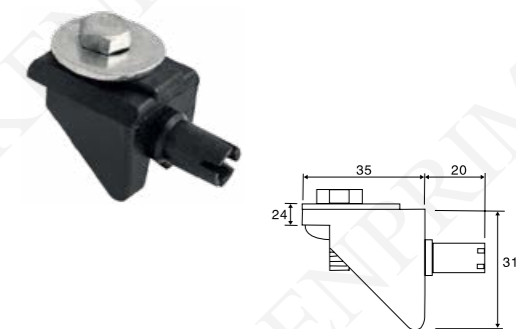
Floor Guide For Glass Door



Floor Guide



SL 12
Stopper



BX-1
1 Suction Glass Lifter



BX-2
2 Suction Glass Lifter



Veribor(Germany)
3 Suction Glass Lifter



BX-3S(100Kgs)
3 Suction Glass Lifter



BX-3B(150Kgs)
3 Suction Glass Lifter



BX-3BX(200Kgs)
3 Suction Glass Lifter



BX-3OX(200Kgs)
3 Suction Glass Lifter



BX2A
Adjustable angle Suction Glass Lifter



BX-3H(Flexi)
3 Suction Glass Lifter



MODEL NO	DESCRIPTION	CAPACITY	FINISHING	PACKING	(RM)/UNIT
GSBX-1	1 Suction Glass Lifter	50kgs	Silver	20nos/ctn	RM 152.00
GSBX-2	2 Suction Glass Lifter	80kgs	Silver	20nos/ctn	RM 188.00
GSBX-3S	3 Suction Glass Lifter (S)	100kgs	Silver	10nos/ctn	RM 232.00
GSBX-3B	3 Suction Glass Lifter (B)	150kgs	Black	10nos/ctn	RM 352.00
GSBX-3BX	3 Suction Glass Lifter (BX)	200kgs	Black	5 nos/ctn	RM 384.00
GSBX-3OX	3 Suction Glass Lifter (OX)	200kgs	Orange	5 nos/ctn	RM 384.00
GSBX-3H	3 Suction Glass Lifter (H) Flexi	150kgs	Yellow	5 nos/ctn	RM 400.00
GSV-3	Veribor 3 Suction Glass Lifter	250kgs	Silver	10nos/ctn	RM 920.00
GSBX-2A	Adjustable angle Suction Glass Lifter	150kgs	Yellow	2nos/ctn	RM 875.00

GD
Glass Drill



ZGD-C80/C120
Grinding Disc C-80/C-120



ZGD-C220
Grinding Disc C-220



ZGSTONE
Grinding Stone



UV30-21/30-23
UV Glue



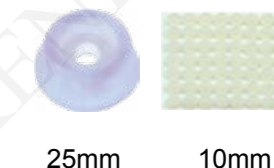
ZGLOVE
Glass Hand Glove (Orange)



GLOVE-ARM
Glass Arm Protector



SLF-014
Rubber Stopper



MODEL NO	DESCRIPTION	SIZE	FINISH	PACKING	(RM)/UNIT
GD	Glass Drill	6 mm	SS	10pcs/pkt	RM 24.00
		8 mm		10pcs/pkt	RM 32.00
		10mm		10pcs/pkt	RM 40.00
		12mm		10pcs/pkt	RM 48.00
		16mm		10pcs/pkt	RM 64.00
		20mm		10pcs/pkt	RM 80.00
		25mm		10pcs/pkt	RM 100.00
		50mm		10pcs/pkt	RM 200.00
		60mm		10pcs/pkt	RM 240.00
		75mm		10pcs/pkt	RM 375.00
ZGD-C80	Grinding Disc C-80			10pcs/box	RM 44.00
ZGD-C120	Grinding Disc C-120			10pcs/box	RM 44.00
ZGD-C220	Grinding Disc C-220			10pcs/box	RM 44.00
ZGSTONE	Grinding Stone			100pcs/ctn	RM 10.00
ZGLOVE	Glass Hand Glove			144pcs/ctn	RM 11.20
GLOVE-ARM	Hand Arm Protector		Blue	50pcs/ctn	RM 50.00
UV30-21	Loxal UV Glue (Glass to Metal)	250ML		10tubes/ctn	RM 760.00
UV30-23	Loxal UV Glue (Glass to Glass)	250ML		10tubes/ctn	RM 760.00
ZBN25	Rubber Stopper	25mm	Transparents	100pcs/pkt	RM 8.00
ZBN10	3M Self Adhesive Stopper 10mm	10mm	Transparents	50pcs/shcet	RM 1.00

KD T Cutter



KD
Circle Cutter



KD
Oil Circle Cutter



BP 13
Oil Tank



BP 18 Suction
Plate Assembly



BP 16 Suction
Plate Assembly



BP 15 Rolling Arm
Assembly



BP 11
Roller Guide



BP 19
Cutter Head



BP 12
Cutter Head



BP 14
Cutter Head



GCUT-A
Cutter - A



GCUT-B
Cutter - Brass



BLQ-9
Flat Duck Plier



BLQ-15
Cut Running Plier



MODEL NO	DESCRIPTION	SIZE		(RM)/UNIT
GTCU-0.6KD	KD T CUTTER 600MM	600mm	6 pcs/ctn	RM 512.50
GTCU-0.9KD	KD T CUTTER 900MM	900mm	6 pcs/ctn	RM 575.00
GTCU-1.2KD	KD T CUTTER 1200MM	1200mm	6 pcs/ctn	RM637.50
GTCU-1.5KD	KD T CUTTER 1500MM	1500mm	6 pcs/ctn	RM 715.20
GTCU-1.8KD	KD T CUTTER 1800MM	1800mm	6 pcs/ctn	RM 800.00
GCICUT-0.6	Glass Circle Cutter 600mm	600mm	6 pcs/ctn	RM 150.00
GCICUT-1.2	Glass Circle Cutter 1200mm	1200mm	6 pcs/ctn	RM 187.50
GCICUT-0.6BLD	Glass Circle Cutter with Oil Pump 600mm	600mm	6 pcs/ctn	RM 375.00
GCICUT-1.2BLD	Glass Circle Cutter with Oil Pump 1200mm	1200mm	6 pcs/ctn	RM 425.00
BP-13	BP-13 Oil Tank			RM 125.00
BP-18	BP-18 Suction Plate Assembly			RM 95.00
BP-16	BP-16 Suction Plate Assembly			RM 80.00
BP-15	BP-15 Rolling Assembly			RM 195.00

MODEL NO	DESCRIPTION	PACKING	(RM)/UNIT
BP-11	BP-11 Roller Guide	50 pcs/box	RM 20.00
BP-19	BP-19 Cutter Head	12 pcs/box	RM 48.75
BP-12	BP-12 Cutter Head	12 pcs/box	RM 45.00
BP-14	BP-14 Circle Cutter Head	-	-
GCUT-A	Glass Cutter-A	6 pcs/box	RM 60.00
GCUT-B	Glass Cutter-B	6 pcs/box	RM 120.00
BLQ-9	BLQ-9 Flat Duck Plier	-	RM 37.50
BLQ-15	BLQ-15 Cut Running Plier	-	RM 600.00



Designed for light to medium-heavy door applications

Based on the record system 20, the record STA 21 has been modified to meet the requirements of less weight and medium-sized door applications. Both have the same system, enabling the interactive exchange of information between control, sensors and electronic remote control unit.

The most important functions

The 32-bit microprocessor control enables a wide variety of operational modes and functions. The mode of operation is selected intuitively using the BDE-D electronic remote control; the display features text in the language of your choice. The convenient and user-friendly BDE-D remote control can also be used to set or modify application-specific door parameters such as opening and closing speeds, opening widths for reduced opening, duration of open times, etc. Alternatively, parameter setting can also be done mechanically using the robust, key-operated switch.

Safety and security equipment

The record STA 21 can be fitted with motorized bolt locking. Fitting security floor rails with extended blades can further enhance burglar protection levels. One optional available is manual unlocking in or outside buildings to guarantee the opening of the automatic door during power failures. Another is a rechargeable battery equipped with charging status monitoring to open or close the door in emergencies. The CO48 emergency opening system provided for the French market is also available, but with restrictions in the door leaf weights.

	RECORD STA 21 – STANDARD SLIDING DOORS (STA)		RECORD STA 21 – TELESCOPIC SLIDING DOORS (TSA)	
				
Door models	E-STA 1 leaf	D-STA 2 leaves	E-TSA 2 leaves	D-TSA 4 leaves
Opening width	800 – 2000 mm	800 – 2500 mm	800 – 2500 mm	1440 – 3000 mm
Max. height of passage	2500 mm	2500 mm	2500 mm	2500 mm
Max. door leaf weight	1 x 130 kg	2 x 90 kg	2 x 90 kg	4 x 60 kg
Recommended application	For light duties in tight spaces	For functional entrances with large entrance widths	For maximum entrance widths in tight spaces	For elegant entrances with large entrance widths



D-STA 2 leaves



E-STA 1 leaf

Door applications	record STA 21	record STA 20	Special door automation
Standard sliding doors with 1 or 2 leaves	●	●	record STA 22 – STA
Telescopic sliding doors with 2 or 4 leaves	●	●	record STA 22 – TSA
Sliding doors with break-out system		●	
Round and angled sliding doors			RST / PST
Folding doors			FTA
Special models		possible	possible
Operator height	108 / 150 mm	108 / 150 mm	> 150 mm
Escape route systems RED ● / CO48 ● / TOS ●	●	● ● ●	● ● ●
Optional equipment			
Standard- ● or multi-point locking (MPV) ●	●	● ●	● ●
Compatible with ADM (from about middle of 2012)		●	●
Profile system 20 (up to 10 mm single layer glass)	●	●	●
Profile system 32 (up to 24 mm insulating glass)	●	●	●
Foreign profiles up to 65 mm	●	●	●
Door protective screen (designed entirely in glass)	●	●	●
Rechargeable battery for emergency opening ● or emergency operation ●	●	● ●	● ●
Peripheral devices			
record BDE-D remote control device with text display	●	●	●
record sensor systems (RAD 290, RIC 290)	●	●	●
record diagnostic maintenance tool	●	●	●

Automatic Door System



Features

- Low-noise operator
- Sound-absorbent construction (acoustic version)
- Basic control module with tow expansion modules and Hand terminal
- Wide choice of software programmable setting and flexible programming by hand terminal, either on site or in the factory
- Application from light interior doors to heavy-duty exterior and emergency exit door
- Comprehensive range of special profiles for structure support assemblies, connections and door leaves
- Available in either single sliding, Bi-prating or telescopic configurations

